



THT, Radial E-Cap., Enabled high ripple current by a reduction of impedance at high frequency, high reliability withstanding, for switching power supplies, noise filter, adapter, charger, Long Lead, ROHS Conform, Packing Bulk-Ware into Polybag

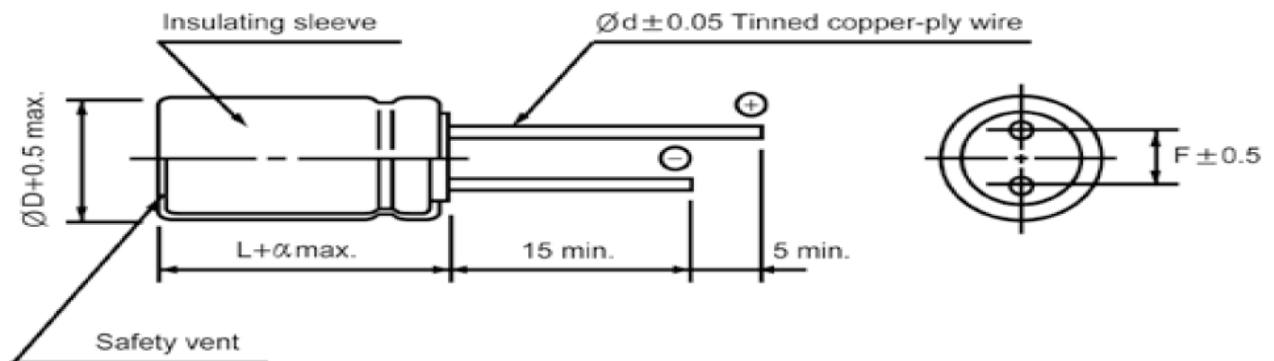
Items		Performance Characteristics										
Operating temperature range		-40°C +105°C										
Leakage current max.		I = 0,01CV or 3µA whichever is greater (after 2 minutes)										
Capacitance tolerance		±20% at 120Hz, 20°C										
Dissipation factor max. (at 120Hz, 20°C)		Capacitance > 1000µF ; tanQ increases by 0,02 for each 1000µF from below value.										
		WV	6,3	10	16	25	35	50	63	100		
		TanQ	0,22	0,19	0,16	0,14	0,12	0,10	0,09	0,08		
Low temperature characteristics (Impedance ratio at 120Jz)												
		Z-25°C / Z+20°C	2									
		Z-40°C / Z+20°C	3									
Load life (after application of the rated voltage for 5000hrs at 105°C)		Leakage Current					Less than specified Value					
		Capacitance Change					Within ±20% of initial value					
		TanQ					Less than 200% of specified value					
Shelf life (at 105°C)		After 1000 hours no load test, leakage current, capacitance and tanQ are same as load life value.										
		Ø5, Ø6,3 : 2000Hours, Ø8: 3000Hours, Ø10:5000hours										

FREQUENCY COEFFICIENT OF PERMISSIBLE RIPPE CURRENT

	µF/Frequency	120Hz	1kHz	10kHz	100kHz≤
	~33	0,42	0,70	0,90	1,00
	47~220	0,50	0,73	0,92	1,00
	330~680	0,55	0,75	0,94	1,00
	1000~1500	0,60	0,80	0,96	1,00
	2200~15000	0,70	0,85	0,98	1,00

Technical Details

Range (µF)	220	ØD(mm)	8,0
Voltage	16	L(mm)	11,5
Impedance (Ω)	0,12	F(mm)	3,5
Ripple Current (mA)	605	Ød(mm)	0,5
ESR (Ω) max.at 20°C 10KHz	--	α(mm)	1,5
Lifetime (hrs)	3000	--	--
Operating- Temperature Range (°C)	-40°C ~ +105°C	--	--



ØD	5	6,3	8	10	12,5	16	18
F	2	2,5	3,5	5,0	5,0	7,5	7,5
Ød	0,5		0,6		0,8		
α	1,5			2,0			

DRW:	Lexua	CHKD	Wilson	MATL:	ChuChu	DATE	17.01.2025
APPD:	Jimmy			FINISH	Josy	Sheet	1 from 2



THT, Radial E-Cap., Enabled high ripple current by a reduction of impedance at high frequency, high reliability withstanding, for switching power supplies, noise filter, adapter, charger, Long Lead, ROHS Conform, Packing Bulk-Ware into Polybag

Ordering Informations:

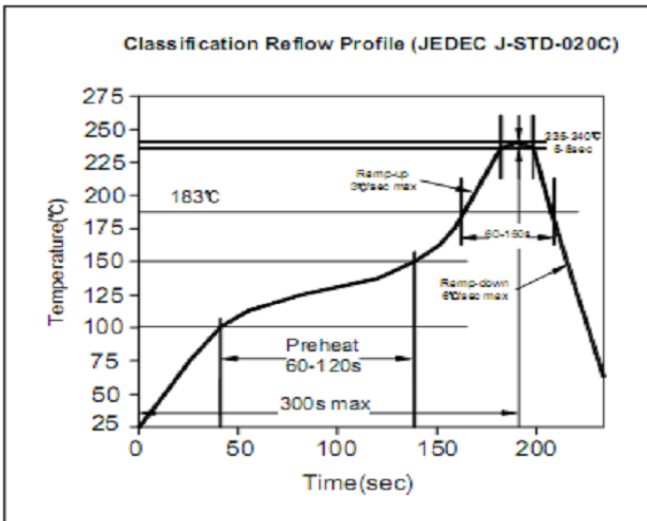
Serie-No. / Voltage / Range / Size	Capacity Tolerance	ROHS	Packing
------------------------------------	--------------------	------	---------

I14112-1602210812	M	R	BU
-------------------	---	---	----

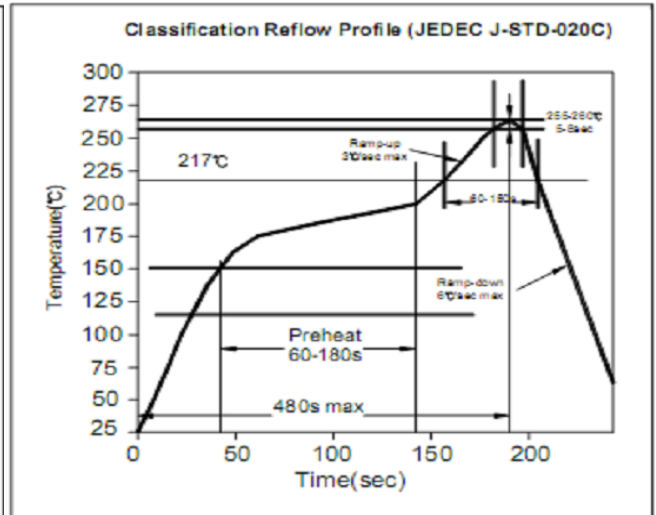
Serie	Voltage (V)	Range μ H)	D * L (mm)	Tolerance Order Code	R= ROHS N= NON ROHS	BU= Bulk-Ware Long Lead T/B= Tape/Box L3= Lead-Length 3~3,5mm
-------	-------------	----------------	------------	----------------------	------------------------	---

Soldering Information

Lead Solder Performance



Lead free Solder Performance



DRW:	Lexua	CHKD	Wilson	MATL:	ChuChu	DATE	17.01.2025
APPD:	Jimmy			FINISH	Josy	Sheet	2 from 2