



**THT, Radial E-Cap., Extremely low Impedance at high Frequency High Reliability, Long Lead, ROHS Conform, Packing Bulk-Ware into Polybag**

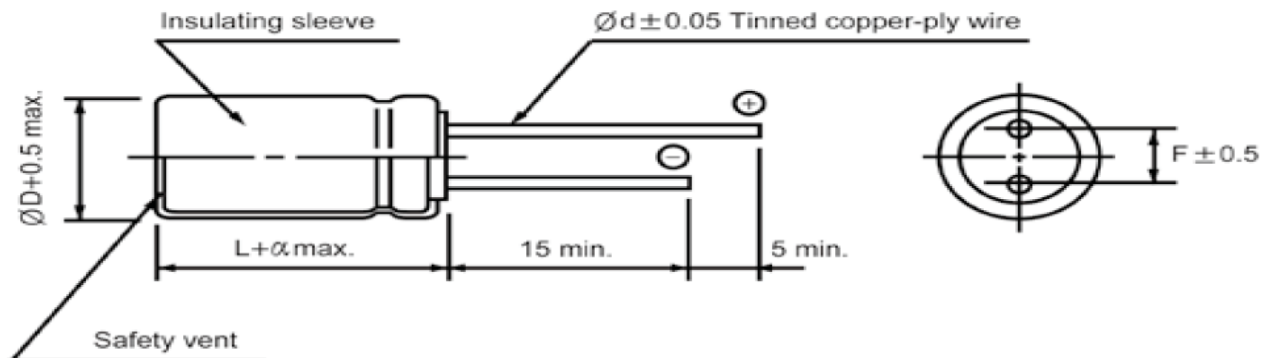
Items		Performance Characteristics										
Operating temperature range		-40°C +105°C (6,3V~100V / -40°C ~+105°C (160V-250V ; -25~ +105°C ( 350~500V)										
Leakage current max.		WV≤100					WV≥100					
		I = 0,01CV or 3µA whichever is greater (after 2 minutes)					I = 0,02CV + 15µA ( after 5 minutes)					
Capacitance tolerance		±20% at 120Hz, 20°C										
Dissipation factor max. (at 120Hz, 20°C)		Capacitance > 1000µF ; tanQ increases by 0,02 for each 1000µF from below value.										
		WV	6,3	10	16	25	35	50	63	100	160~250	350~500
		TanQ	0,22	0,19	0,16	0,14	0,12	0,10	0,09	0,08	0,15	0,20
Low temperature characteristics (Impedance ratio at 120Jz)		WV	6,3	10	16	25	35	50	160	160~250	350~500	
		Z-25°C / Z+20°C	4	3	2	2	2	2	3	3	8	
		Z-40°C / Z+20°C	8	6	4	3	3	3	4	4	-	
Load life ( after application of the rated voltage for 2000hrs at 105°C)		Leakage Current					Less than specified Value					
		Capacitance Change					Within ±20% of initial value					
		TanQ					Less than 200% of specified value					
Shelf life (at 105°C)		After 1000 hours no load test, leakage current, capacitance and tanQ are same as load life value.										

**FREQUENCY COEFFICIENT OF PERMISSIBLE RIPPLE CURRENT**

µF/Frequency	120Hz	1kHz	10kHz	100kHz≤
~33	0,40	0,65	0,82	1,00
47~220	0,50	0,70	0,84	1,00
330~680	0,55	0,75	0,86	1,00
820~1500	0,60	0,80	0,88	1,00
2200~15000	0,70	0,85	0,90	1,00

**Technical Details**

Range (µF)	22	∅D(mm)	5,0
Voltage	10	L(mm)	11,0
Impedance (Ω)	0,7	F(mm)	2,0
Ripple Current (mA)	180	∅d(mm)	0,5
ESR (Ω) max.at 20°C 10KHz	--	α(mm)	1,5
Lifetime (hrs)	2000	--	--
Operating- Temperature Range (°C)	.-40°C ~ +105°C	--	--



∅D	5	6,3	8	10	12,5	16	18
F	2,0	2,5	3,5	5,0	5,0	7,5	7,5
∅d	0,5		0,6		0,8		
α	1,5			2,0			

DRW:	Lexua	CHKD	Wilson	MATL:	ChuChu	DATE	28.01.2025
APPD:	Jimmy			FINISH	Josy	Sheet	1 from 2



THT, Radial E-Cap., Extremely low Impedance at high Frequency High Reliability, Long Lead, ROHS Conform, Packing Bulk-Ware into Polybag

**Ordering Informations:**

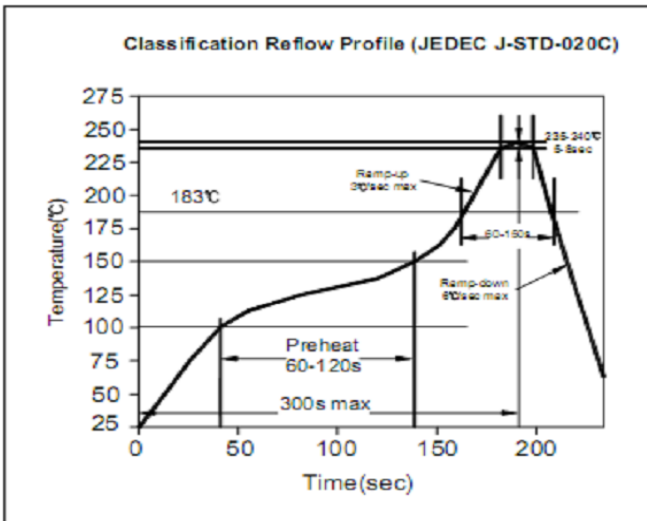
Serie-No. / Voltage / Range / Size	Capacity Tolerance	ROHS	Packing
------------------------------------	--------------------	------	---------

I14111-1002200511	M	R	BU
-------------------	---	---	----

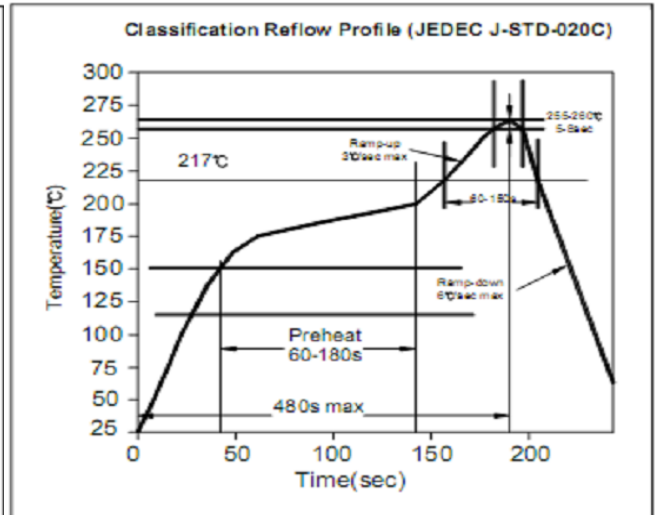
Serie	Voltage (V)	Range $\mu$ H)	D * L (mm)	Tolerance Order Code	R= ROHS N= NON ROHS	BU= Bulk-Ware Long Lead T/B= Tape/Box L3= Lead-Length 3~3,5mm
-------	-------------	----------------	------------	----------------------	------------------------	---

**Soldering Information**

**Lead Solder Performance**



**Lead free Solder Performance**



DRW:	Lexua	CHKD	Wilson	MATL:	ChuChu	DATE	28.01.2025
APPD:	Jimmy			FINISH	Josy	Sheet	2 from 2