



THT, Radial E-Cap., Extremely low Impedance, High Reliability, Enabled high ripple current by a reduction of impedance at high Frequency, Ideally suited for use in switching power supply main board, Long Lead, ROHS Conform, Packing Bulk-Ware into Polybag

Items		Performance Characteristics							
Operating temperature range	-40°C +105°C								
Leakage current max.	I = 0,01CV or 3µA whichever is greater (after 2 minutes)								
Capacitance tolerance	±20% at 120Hz, 20°C								
Dissipation factor max. (at 120Hz, 20°C)	Capacitance > 1000µF ; tanQ increases by 0,02 for each 1000µF from below value.								
	WV	6,3	10	16	25	35	50		
	TanQ	0,22	0,19	0,16	0,14	0,12	0,10		
Low temperature characteristics (Impedance ratio at 120Jz)	WV	6,3	10	16	25	35	50		
	Z-40°C / Z+20°C	8	6	4	4	3	3		
Load life (after application of the rated voltage for 10000hrs at 105°C)	Leakage Current				Less than specified Value				
	Capacitance Change				Within ±20% of initial value				
	TanQ				Less than 200% of specified value				
Shelf life (at 105°C)	After 1000 hours no load test, leakage current, capacitance and tanQ are same as load life value.								

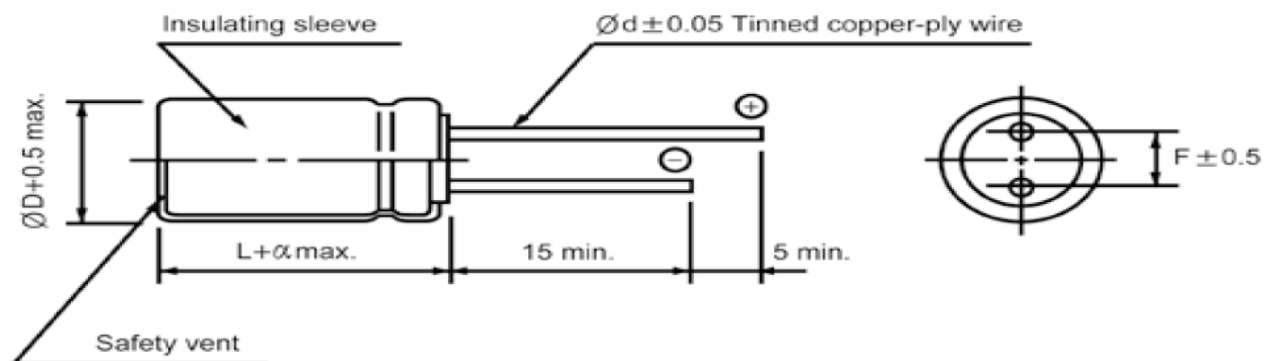
Ø5, Ø6,3 : 4000Hours, Ø8: 6000Hours, Ø10:7000hours

FREQUENCY COEFFICIENT OF PERMISSIBLE RIPPE CURRENT

µF/Frequency	120Hz	1kHz	10kHz	100kHz≤
~33	0,40	0,65	0,82	1,00
47~220	0,50	0,70	0,84	1,00
330~680	0,55	0,75	0,86	1,00
820~1500	0,60	0,80	0,88	1,00
2200~15000	0,70	0,85	0,90	1,00

Technical Details

Range (µF)	4700	ØD(mm)	16,0
Voltage	10	L(mm)	31,5
Impedance (Ω)	0,03	F(mm)	7,5
Ripple Current (mA)	2100	Ød(mm)	0,8
ESR (Ω) max.at 20°C 10KHz	--	α(mm)	2
Lifetime (hrs)	10000	--	--
Operating- Temperature Range (°C)	-.40°C ~ +105°C	--	--



ØD	5	6,3	8	10	12,5	16	18
F	2,0	2,5	3,5	5,0	5,0	7,5	7,5
ØD	0,5		0,6		0,8		
α	1,5			2,0			

DRW:	Lexua	CHKD	Wilson	MATL:	ChuChu	DATE	28.01.2025
APPD:	Jimmy			FINISH	Josy	Sheet	1 from 2

Copyright by S.Tiede



THT, Radial E-Cap., Extremely low Impedance, High Reliability, Enabled high ripple current by a reduction of impedance at high Frequency, Ideally suited for use in switching power supply main board, Long Lead, ROHS Conform, Packing Bulk-Ware into Polybag

Ordering Informations:

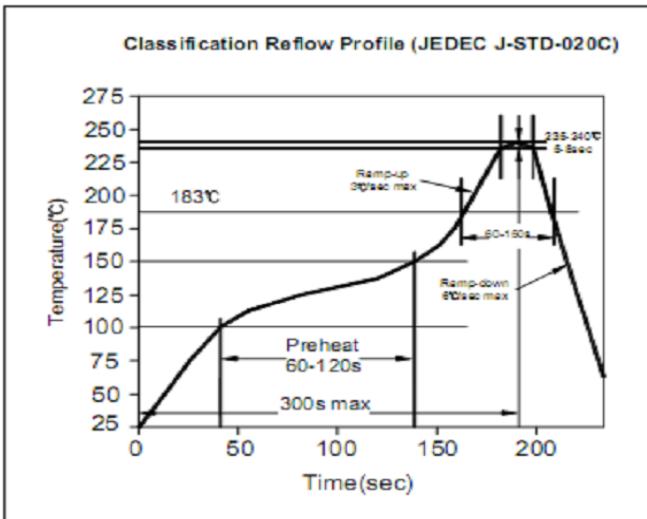
Serie-No. / Voltage / Range / Size	Capacity Tolerance	ROHS	Packing
------------------------------------	--------------------	------	---------

I14110-1004721632	M	R	BU
-------------------	---	---	----

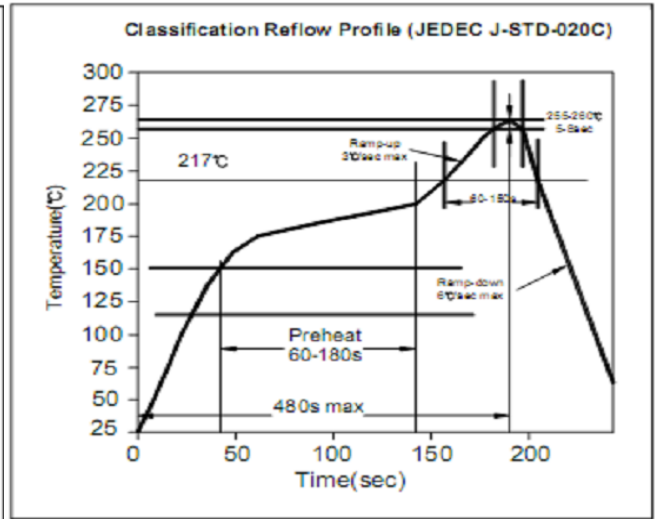
Serie	Voltage (V)	Range μ H)	D * L (mm)	Tolerance Order Code	R= ROHS N= NON ROHS	BU= Bulk-Ware Long Lead T/B= Tape/Box L3= Lead-Length 3~3,5mm
-------	-------------	----------------	------------	----------------------	------------------------	---

Soldering Information

Lead Solder Performance



Lead free Solder Performance



DRW:	Lexua	CHKD	Wilson	MATL:	ChuChu	DATE	28.01.2025
APPD:	Jimmy			FINISH	Josy	Sheet	2 from 2