

# LARGE ALUMINUM ELECTROLYTIC CAPACITORS

## I14086 (LX)

### Snap-in Terminal, Long life Series

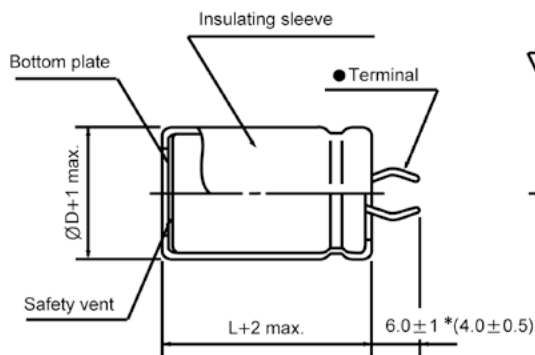
- Load life of 7000 hours at 105°C
- Voltage range of 160V ~ 500V
- Suited for use in industrial power supplies where high reliability
- Complied to the RoHS directive

Items	Performance characteristics							
<b>Operating temperature range</b>	-40 ~ +105°C (160V~250V); -25 ~ +105°C (350V~500V)							
<b>Leakage current max.</b>	$I=3\sqrt{CV}$ (μA) (after 5 minutes)							
<b>Capacitance tolerance</b>	±20% at 120Hz, 20°C							
<b>Dissipation factor max. (at 120Hz, 20°C)</b>	WV	160	200	250	350	400	450	500
	Tanδ	0.15	0.15	0.15	0.15	0.15	0.20	0.20
<b>Load life (after application of the rated voltage for 7000 hours at 105°C)</b>	Leakage current				Less than specified value			
	Capacitance change				Within ±30% of initial value			
	Tanδ				Less than 300% of specified value			
<b>Shelf life (at 105°C)</b>	After 1000 hours no load test, leakage current, capacitance and tanδ are same as load life value.							

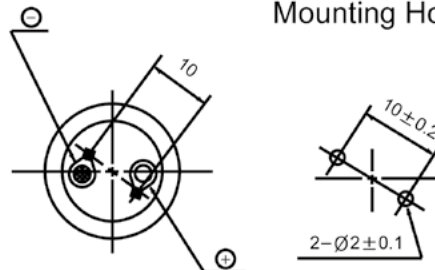
#### ● DRAWING

Unit : mm

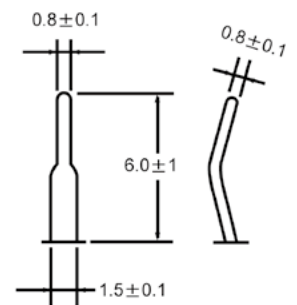
∅D ≤ 40



PC Board Mounting Holes

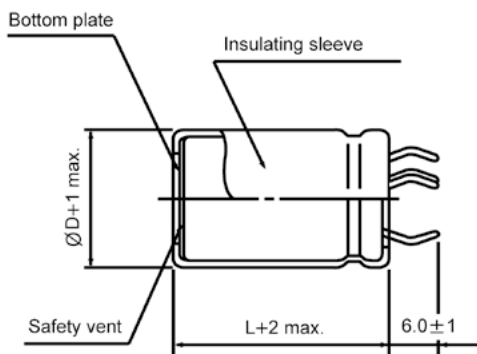


Terminal

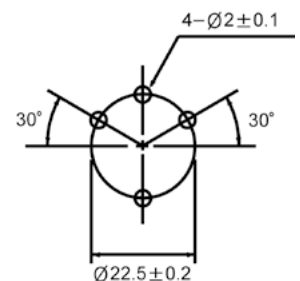
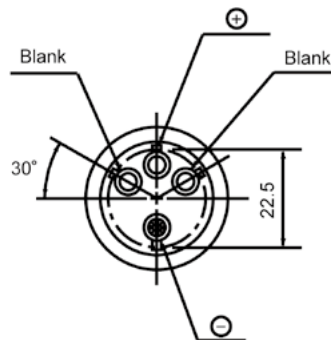


\* Shorter terminal(4.0±0.5) is also available upon request.  
Terminal length of height 20mm products is applied shorter terminal to standard terminal type.

∅D = 35, 40



PC Board Mounting Holes



#### ● FREQUENCY COEFFICIENT OF PERMISSIBLE RIPPLE CURRENT

WV \ Frequency	50Hz	120Hz	300Hz	1kHz	10kHz ≤
160 ~ 250	0.85	1.00	1.20	1.25	1.45
350 ~	0.85	1.00	1.15	1.20	1.40

# LARGE ALUMINUM ELECTROLYTIC CAPACITORS

## I14086 (LX) Series

### ● DIMENSIONS & MAXIMUM PERMISSIBLE RIPPLE CURRENT

μF \ WV	160		200		250	
	330	22×25	1.11	22×30 25×25	1.16 1.16	22×40 25×35 30×25
390	22×30 25×25	1.26 1.35	22×35 25×30 30×25	1.29 1.29 1.31	22×45 25×35 30×30	1.36 1.35 1.39
470	22×30 25×30	1.39 1.40	22×40 25×35 30×30	1.42 1.48 1.52	25×45 30×35 35×30	1.63 1.61 1.64
560	22×40 25×30 30×25	1.55 1.55 1.57	22×45 25×35 30×30	1.63 1.62 1.67	25×50 30×35 35×30	1.85 1.75 1.80
680	22×45 25×35 30×30	1.80 1.78 1.93	25×40 30×35	1.87 1.93	30×45 35×35	2.12 2.08
820	25×40 30×30	2.06 2.01	25×50 30×40 35×30	2.24 2.23 2.17	30×50 35×40	2.42 2.39
1000	25×45 30×35	2.38 2.34	30×45 35×35	2.57 2.52	35×45	2.76
1200	25×50 30×40 35×35	2.54 2.56 2.56	30×50 35×40	2.71 2.68	35×50	2.90
1500	30×45 35×35	2.96 2.89	35×50	3.25		
1800	30×50 35×40	3.32 3.30	↑ Case size ΦD×L (mm) ← Ripple current (A rms) at 105°C, 120Hz			

μF \ WV	350		400		450		500	
	56			22×20	0.48	22×30 25×20	0.52 0.52	
68			22×25 25×20	0.55 0.55	22×30 25×25	0.58 0.58	22×35 25×30	0.41 0.39
82	22×25	0.58	22×30 25×25	0.63 0.63	22×35 25×30 30×20	0.65 0.65 0.65	22×40 25×30	0.47 0.46
100	22×25 25×25	0.67 0.67	22×30 25×25	0.70 0.70	22×40 25×30 30×25	0.74 0.72 0.73	22×40 25×35 30×25	0.55 0.54 0.53
120	22×30 25×25	0.77 0.76	22×35 25×30 30×25	0.79 0.79 0.79	25×35 30×30	0.82 0.82	22×45 25×40 30×30 35×25	0.61 0.62 0.61 0.56
150	22×35 25×30	0.88 0.88	22×40 25×30 30×25	0.90 0.88 0.90	25×40 30×35 35×25	0.94 0.96 0.94	25×45 30×35 35×30	0.69 0.72 0.70
180	22×40 25×30	0.99 0.96	25×35 30×30 35×25	1.01 1.01 1.01	30×35 35×30	1.05 1.07	30×40 35×35	0.84 0.83
220	22×45 25×35 30×30	1.12 1.11 1.11	25×40 30×35 35×25	1.14 1.16 1.14	30×40 35×35	1.20 1.21	30×45 35×40	0.97 0.97
270	25×40 30×35 35×25	1.26 1.28 1.26	30×40 35×30	1.33 1.31	35×40	1.40	30×50 35×40	1.17 1.18
330	30×35 35×30	1.42 1.45	30×45 35×35	1.52 1.48	35×45	1.60	35×50	1.32
390	30×40 35×35	1.60 1.61	35×40	1.68	35×50	1.79	35×55	1.48
470	35×40	1.85	35×45	1.91			35×60	1.60
560	35×45	2.06	35×50	2.14				