

LARGE ALUMINUM ELECTROLYTIC CAPACITORS

I14084 (JB)

Wide Temperature, High Ripple Series

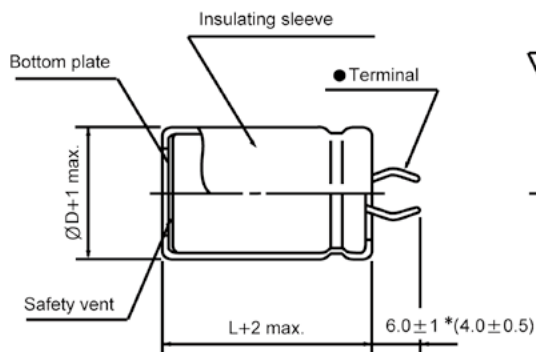
- High ripple current compared with LM series
- Load life of 3000 hours at 105°C
- Complied to the RoHS directive

Items	Performance characteristics				
Operating temperature range	-40 ~ +105°C				
Leakage current max.	$I=3\sqrt{CV}$ (μA) (after 5 minutes)				
Capacitance tolerance	±20% at 120Hz, 20°C				
Dissipation factor max. (at 120Hz, 20°C)	WV	400	420	450	500
	Tanδ	0.15	0.20	0.20	0.20
Load life (after application of the rated voltage for 3000 hours at 105°C)	Leakage current	Less than specified value			
	Capacitance change	Within ±20% of initial value			
	Tanδ	Less than 200% of specified value			
Shelf life (at 105°C)	After 1000 hours no load test, leakage current, capacitance and tanδ are same as load life value.				

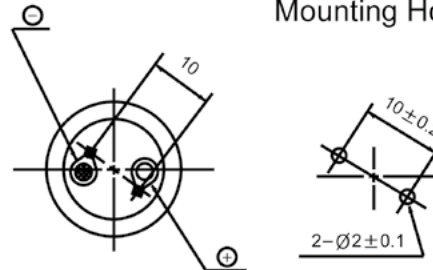
● DRAWING

Unit : mm

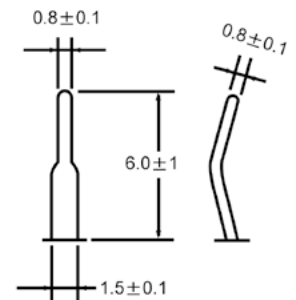
∅D ≤ 40



PC Board Mounting Holes

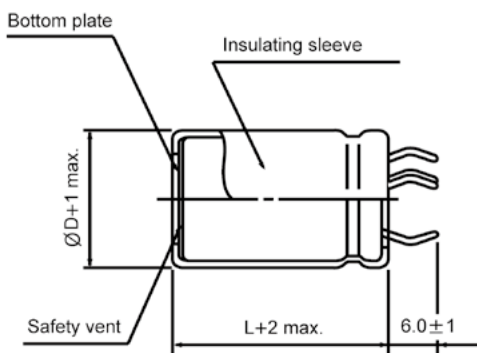


Terminal

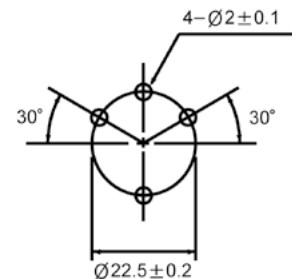
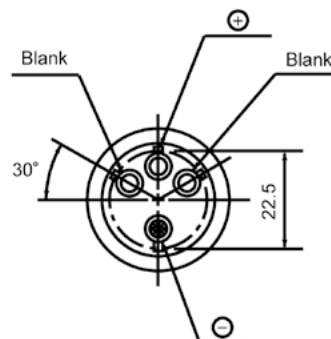


* Shorter terminal(4.0±0.5) is also available upon request.
Terminal length of height 20mm products is applied shorter terminal to standard terminal type.

∅D = 35, 40



PC Board Mounting Holes



● FREQUENCY COEFFICIENT OF PERMISSIBLE RIPPLE CURRENT

Frequency WV	60Hz	120Hz	300Hz	1kHz	10kHz≤
400 ~ 500	0.85	1.00	1.15	1.20	1.40

LARGE ALUMINUM ELECTROLYTIC CAPACITORS

I14084 (JB) Series

● DIMENSIONS & MAXIMUM PERMISSIBLE RIPPLE CURRENT

WV μF	400		420		450		500	
	68							22×25
82							22×30 25×25	0.77 0.79
100			22×30 25×25	0.77 0.75	22×30 25×25	0.77 0.98	22×35 25×30	0.87 0.90
120	22×30 25×25	0.90 0.86	22×30 25×25	0.86 0.84	22×35 25×25	0.95 1.07	22×40 25×30 30×25	0.98 0.98 0.99
150	22×35 25×25	1.05 1.01	22×35 25×30 30×25	1.07 1.06 1.14	22×40 25×30 30×25	1.16 1.16 1.09	22×45 25×35 30×30	1.11 1.14 1.19
180	22×40 25×30 30×25	1.32 1.31 1.35	22×40 25×35 30×25	1.27 1.28 1.24	22×45 25×35 30×30	1.39 1.39 1.36	22×50 25×40 30×30 35×25	1.24 1.28 1.22 1.19
220	22×45 25×35 30×30	1.53 1.54 1.50	22×50 25×40 30×30 35×25	1.58 1.52 1.50 1.39	25×40 30×30 35×25	1.60 1.58 1.53	25×50 30×35 35×30	1.46 1.39 1.34
270	22×50 25×40 30×30 35×25	1.78 1.71 1.81 1.63	25×45 30×35 35×30	1.77 1.67 1.69	25×50 30×35 35×30	2.02 1.80 2.04	30×40 35×35	1.58 1.51
330	25×50 30×35 35×30	2.05 2.03 1.98	30×40 35×30	2.06 1.81	30×45 35×35	2.13 2.33	30×50 35×40	1.83 1.73
390	30×40 35×35	2.14 2.21	30×45 35×35	2.33 2.10	30×50 35×40	2.40 2.61	35×45	1.91
470	30×50 35×40	2.54 2.60	30×50 35×45	2.63 2.57	35×45	2.92	35×50	2.15

↑ ↑
Ripple current (A rms) at 105°C, 120Hz
Case size ΦD×L (mm)