

LARGE ALUMINUM ELECTROLYTIC CAPACITORS

I14082 (LT)

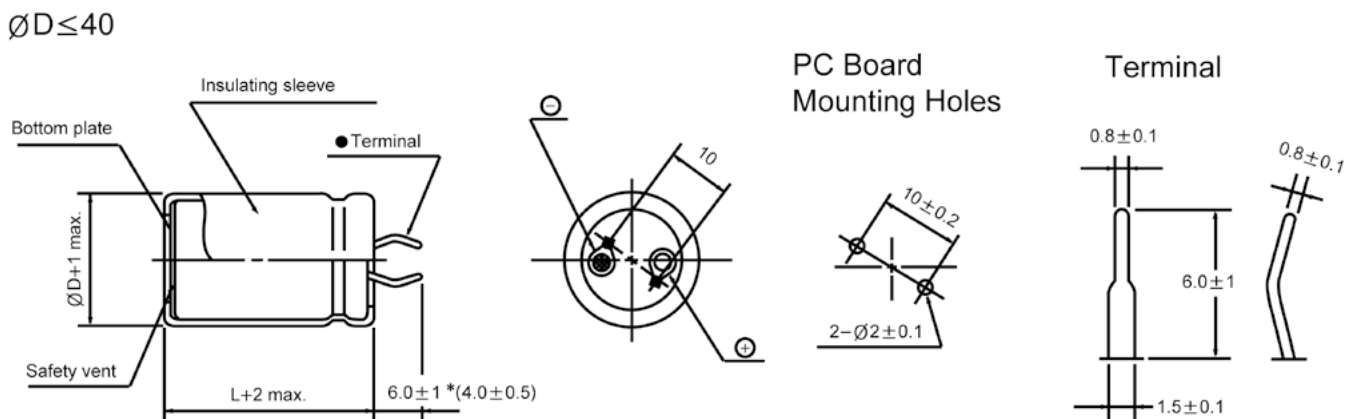
Wide Temperature Range, Standard Series

- Wide temperature range of $-40(-25)\sim+105^{\circ}\text{C}$
- Standard snap-in terminal type
- Complied to the RoHS directive

Items	Performance characteristics										
Operating temperature range	$-40 \sim +105^{\circ}\text{C}$ (6.3V~315V); $-25 \sim +105^{\circ}\text{C}$ (350V~550V)										
Leakage current max.	$I=3\sqrt{CV}$ (μA) (after 5 minutes)										
Capacitance tolerance	$\pm 20\%$ at 120Hz, 20°C										
Dissipation factor max. (at 120Hz, 20°C)	WV	6.3	10	16	25	35	50	63	80,100	160~400	450~550
	Tan δ	0.60	0.55	0.50	0.40	0.35	0.30	0.25	0.20	0.15	0.20
Load life (after application of the rated voltage for 2000 hours at 105°C)	Leakage current	Less than specified value									
	Capacitance change	Within $\pm 20\%$ of initial value									
	Tan δ	Less than 200% of specified value									
Shelf life (at 105°C)	After 1000 hours no load test, leakage current, capacitance and tan δ are same as load life value.										

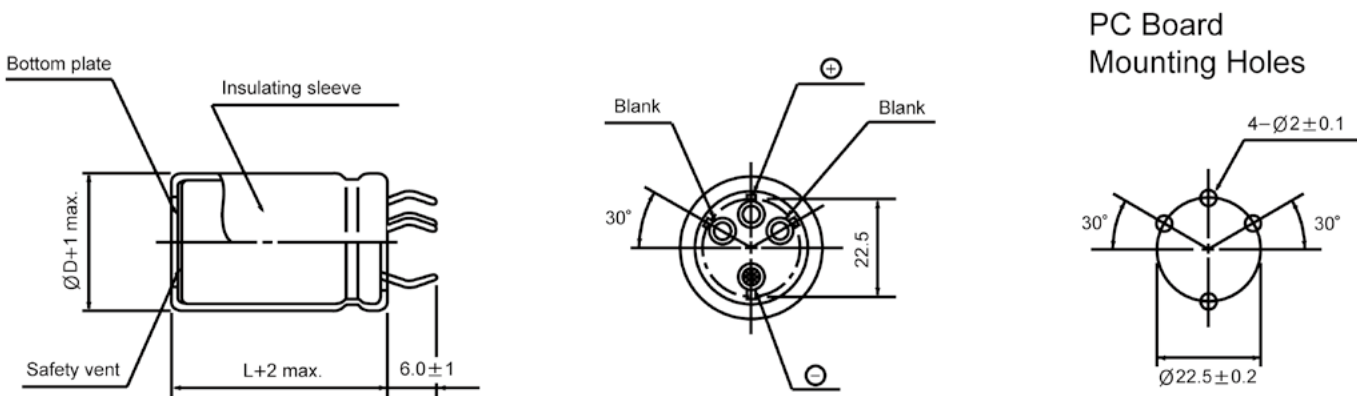
● DRAWING

Unit : mm



* Shorter terminal(4.0 ± 0.5) is also available upon request.
Terminal length of height 20mm products is applied shorter terminal to standard terminal type.

$\varnothing D=35, 40$



● FREQUENCY COEFFICIENT OF PERMISSIBLE RIPPLE CURRENT

Frequency	50Hz	120Hz	300Hz	1kHz	10kHz \leq
WV ~ 100	0.85	1.00	1.06	1.15	1.20
160 ~ 250	0.85	1.00	1.20	1.25	1.45
315 ~	0.85	1.00	1.15	1.20	1.40

LARGE ALUMINUM ELECTROLYTIC CAPACITORS

I14082 (LT) Series

● DIMENSIONS & MAXIMUM PERMISSIBLE RIPPLE CURRENT

μF \ WV	6.3		10		16		25		35		50			
	3300											22×30 2.23	25×25 2.29	
4700									22×30 2.29	25×25 2.23	22×40 2.87	25×35 2.98	30×25 2.89	35×25 3.14
5600							22×25 1.99		22×35 2.46	25×30 2.54	22×45 3.19	25×40 3.33	30×30 3.26	35×25 3.33
6800							22×30 2.29	25×25 2.36	22×40 2.80	25×30 2.75	22×50 3.58	25×40 3.57	30×35 3.69	35×30 3.78
8200							22×35 2.59	25×30 2.68	22×45 3.10	25×35 3.07	25×50 4.07	30×40 4.03	35×30 3.94	
10000					22×25 2.49		22×40 2.96	25×30 2.92	22×50 3.51	25×40 3.51	30×45 4.55	35×35 4.48		
12000			22×25 2.48		22×30 2.66	25×25 2.92	22×45 3.31	25×35 3.28	25×45 3.88	30×35 3.83	30×50 4.96	35×40 4.91		
15000	22×25 2.54		22×30 2.56	25×25 2.54	22×35 3.22	25×30 3.34	22×50 3.70	25×40 3.70	30×40 4.29	35×35 4.41	35×45 5.40			
18000	22×30 2.89	25×25 2.97	22×35 3.21	25×25 3.13	22×40 3.58	25×35 3.72	25×45 4.09	30×35 4.03	30×45 4.71	35×40 4.84	35×50 5.80	40×40 5.71		
22000	22×35 3.25	25×25 3.16	22×40 3.59	25×30 3.53	22×50 4.13	25×40 4.13	30×45 4.66	35×35 4.59	35×45 5.30	40×40 5.40	40×50 6.40			
27000	22×40 3.64	25×30 3.58	22×45 3.97	25×35 3.94	25×45 4.54	30×35 4.48	30×50 5.11	35×40 5.05	40×50 6.10		40×60 7.09			
33000	22×45 4.02	25×35 3.99	22×50 4.36	25×40 4.36	30×40 4.92	35×30 4.81	35×45 5.51	40×40 5.61	40×50 6.34					
39000	22×50 4.37	25×40 4.36	25×45 4.73	30×35 4.66	30×45 5.31	35×35 5.22	↑↑ Ripple current (A rms) at 105°C, 120Hz Case size ΦD×L (mm)							
47000	25×45 4.76	30×35 4.70	25×50 5.12	30×40 5.08	30×50 5.71	35×40 5.65								
56000	25×50 5.14	30×40 5.10	30×45 5.48	35×35 5.38	35×45 6.06	40×40 6.17								
68000	30×45 5.51	35×35 5.42	35×40 5.82		35×50 6.47	40×50 6.85								
100000	35×45 6.25	40×40 6.37	40×50 7.01		40×60 7.65									

LARGE ALUMINUM ELECTROLYTIC CAPACITORS

I14082 (LT) Series

● DIMENSIONS & MAXIMUM PERMISSIBLE RIPPLE CURRENT

WV μF	63		80		100		160		200		250	
	150											22×25 25×20
180									22×20	0.68	22×25 25×20	0.67 0.76
220							22×20	0.76	22×25 25×20	0.82 0.83	22×25 25×25 30×20	0.82 0.89 0.91
270							22×25 25×20	0.90 0.99	22×25 25×25 30×20	0.90 0.99 1.01	22×30 25×25 30×20	0.96 0.99 1.01
330							22×25 25×20	1.00 1.02	22×30 25×25 30×20	1.06 1.09 1.12	22×30 25×30 30×20	1.06 1.17 1.12
390							22×25 25×25 30×20	1.09 1.19 1.21	22×30 25×25 30×25	1.15 1.19 1.30	22×35 25×30 30×25	1.22 1.27 1.30
470							22×30 25×25 30×20	1.27 1.31 1.33	22×35 25×30 30×25	1.34 1.39 1.42	22×40 25×30 30×25 35×25	1.42 1.38 1.42 1.54
560							22×35 25×30 30×25	1.47 1.52 1.56	22×40 25×35 30×25 35×25	1.54 1.60 1.56 1.69	22×50 25×40 30×30 35×25	1.69 1.69 1.65 1.69
680							22×40 25×30 30×25	1.70 1.67 1.72	22×45 25×40 30×30 35×25	1.78 1.86 1.82 1.86	25×45 30×35 35×30	1.95 1.92 1.96
820							22×45 25×35 30×30 35×25	1.96 1.94 2.00 2.05	22×50 25×45 30×35 35×30	2.05 2.14 2.11 2.16	25×45 30×40 35×30	2.11 2.21 2.16
1000							22×50 25×40 30×30 35×25	2.26 2.26 2.21 2.26	30×40 35×30	2.44 2.38	30×45 35×35	2.55 2.51
1200			22×25	1.68	22×30 25×25	1.79 1.85	25×45 30×35 35×30	2.42 2.38 2.44	30×45 35×35	2.62 2.57	35×40 40×40	2.69 2.86
1500			22×30	2.00	22×35 25×30 30×25	2.12 2.20 2.25	30×40 35×35	2.80 2.87	30×50 35×40	3.04 3.01	35×50 40×50	3.26 3.45
1800	22×25	1.65	22×30 25×25	2.19 2.26	22×40 25×35 30×30	2.45 2.54 2.62	35×40 40×40	3.29 3.49	35×45 40×40	3.43 3.49	40×60	4.04
2200	22×30 25×25	1.88 1.94	22×35 25×30 30×25	2.44 2.52 2.59	22×45 25×40 30×30	2.68 2.80 2.74						
2700	22×35 25×30	2.20 2.28	22×40 25×35 30×30	2.84 2.95 3.04	25×45 30×35 35×30	3.25 3.20 3.28						
3300	22×35 25×30 30×25	2.35 2.44 2.50	22×45 25×40 30×30	3.13 3.27 3.20	25×50 30×40 35×35	3.57 3.54 3.64						
3900	22×40 25×35 30×30	2.70 2.80 2.89	22×50 25×45 30×35	3.56 3.72 3.67	30×45 35×35	4.02 3.95						
4700	22×50 25×40 30×35 35×30	3.14 3.14 3.07 3.14	25×50 30×40 35×30	4.08 4.04 3.95	30×50 35×40	4.39 4.35						
5600	25×45 30×35 35×30	3.49 3.43 3.52	30×45 35×35	4.43 4.36	35×45 40×40	4.75 4.84						
6800	25×50 30×40 35×30	3.90 3.87 3.78	35×40	4.84	40×50	5.55						
8200	30×45 35×35	4.21 4.15	35×45 40×40	5.18 5.28	40×50	5.70						
10000	30×50 35×40	4.74 4.69	40×50	6.10								
12000	35×45 40×40	5.12 5.21										

▲ Case size ΦD×L (mm)

← Ripple current (A rms) at 105°C, 120Hz

LARGE ALUMINUM ELECTROLYTIC CAPACITORS

I14082 (LT) Series

● DIMENSIONS & MAXIMUM PERMISSIBLE RIPPLE CURRENT

WV μF	315		350		400		450		500		550	
47											22×30 25×25 30×20	0.31 0.31 0.32
56							22×20 0.38				22×30 25×30 30×25	0.34 0.37 0.37
68					22×20 25×20	0.42 0.46	22×25 25×20	0.45 0.46	22×25	0.48	22×35 25×30 30×25	0.39 0.40 0.41
82			22×20	0.46	22×25 25×20	0.49 0.51	22×30 25×25 30×20	0.53 0.54 0.55	22×30 25×25	0.57 0.58	22×40 25×35 30×30 35×25	0.45 0.46 0.48 0.49
100	22×20	0.51	22×25 25×20	0.55 0.56	22×25 25×25 30×20	0.55 0.61 0.61	22×30 25×30 30×25	0.58 0.64 0.66	22×40 25×30 30×25	0.69 0.69 0.70	22×45 25×40 30×30 35×25	0.52 0.54 0.53 0.55
120	22×25 25×20	0.60 0.61	22×25 25×25 30×20	0.61 0.66 0.67	22×30 25×25 30×20	0.64 0.66 0.67	22×35 25×30 30×25	0.68 0.70 0.72	25×40 30×30	0.82 0.82	25×45 30×35 35×30	0.62 0.61 0.63
150	22×25 25×25 30×20	0.67 0.74 0.76	22×30 25×25 30×20	0.72 0.73 0.76	22×30 25×30 30×25	0.72 0.79 0.81	22×40 25×35 30×30 35×25	0.80 0.82 0.85 0.87	30×30	0.83	25×50 30×40 35×35	0.72 0.72 0.74
180	22×30 25×25 30×20	0.79 0.80 0.82	22×35 25×30 30×25	0.84 0.85 0.88	22×40 25×35 30×25 35×25	0.88 0.91 0.88 0.96	25×35 30×30 35×25	0.90 0.94 0.96	30×35	0.94	30×45 35×35	0.82 0.81
220	22×35 25×30 30×25	0.92 0.95 0.97	22×40 25×30 30×25 35×25	0.97 0.94 0.97 1.06	22×45 25×40 30×30 35×25	1.01 1.06 1.03 1.06	25×40 30×35 35×30	1.05 1.09 1.12	30×40 35×40	1.09 1.31	35×45 40×40	0.98 1.00
270	22×40 25×30 30×25 35×25	1.07 1.05 1.08 1.17	25×35 30×30 35×25	1.10 1.15 1.24	25×40 30×30 35×25	1.16 1.16 1.17	30×40 35×30	1.21 1.24	35×35	1.37	35×50 40×50	1.13 1.19
330	22×50 25×35 30×30 35×25	1.30 1.22 1.27 1.30	25×40 30×35 35×30	1.28 1.33 1.37	25×45 30×35 35×30	1.35 1.33 1.37	30×45 35×35	1.45 1.45	35×40	1.45	40×50	1.32
390	25×40 30×35 35×30	1.40 1.45 1.49	30×40 35×30	1.52 1.48	30×40 35×30	1.52 1.48	30×50 35×35	1.66 1.57	35×45	1.62	40×60	1.54
470	30×35 35×30	1.60 1.63	30×40 35×35	1.67 1.72	30×45 35×35	1.72 1.72	30×50 35×40 40×40	1.81 1.81 1.91	35×50 40×50	1.67 2.20	40×60	1.69
560	30×40 35×35	1.83 1.87	30×45 35×40	1.91 1.96	35×40 40×40	1.96 2.08	35×50 40×50	2.13 2.25	40×60	2.57		
680	30×45 35×40	2.10 2.16	30×50 35×45 40×40	2.19 2.26 2.29	35×50 40×50	2.35 2.48	40×60	2.65	40×60	2.83		
820	30×50 35×50 40×40	2.41 2.58 2.53	35×50 40×50	2.58 2.72	40×60	2.92						

↑ ↑
Ripple current (A rms) at 105°C, 120Hz
Case size ΦD×L (mm)