

LARGE ALUMINUM ELECTROLYTIC CAPACITORS

I14078 (LS)

Snap-in Terminal Type, Standard Series

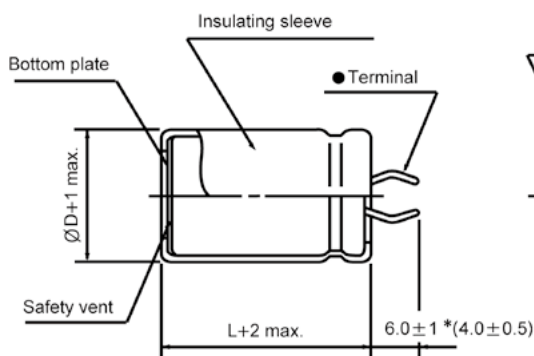
- Standard snap-in terminal type
- Including 550WV products
- Complied to the RoHS directive

Items	Performance characteristics																						
Operating temperature range	-40 ~ +85°C (6.3V~315V); -25 ~ +85°C (350V~550V)																						
Leakage current max.	$I=3\sqrt{CV}$ (μA) (after 5 minutes)																						
Capacitance tolerance	±20% at 120Hz, 20°C																						
Dissipation factor max. (at 120Hz, 20°C)	<table border="1"> <thead> <tr> <th>WV</th> <th>6.3</th> <th>10</th> <th>16</th> <th>25</th> <th>35</th> <th>50</th> <th>63</th> <th>80,100</th> <th>160~400</th> <th>450~550</th> </tr> </thead> <tbody> <tr> <td>Tanδ</td> <td>0.60</td> <td>0.55</td> <td>0.50</td> <td>0.40</td> <td>0.35</td> <td>0.30</td> <td>0.25</td> <td>0.20</td> <td>0.15</td> <td>0.20</td> </tr> </tbody> </table>	WV	6.3	10	16	25	35	50	63	80,100	160~400	450~550	Tanδ	0.60	0.55	0.50	0.40	0.35	0.30	0.25	0.20	0.15	0.20
WV	6.3	10	16	25	35	50	63	80,100	160~400	450~550													
Tanδ	0.60	0.55	0.50	0.40	0.35	0.30	0.25	0.20	0.15	0.20													
Load life (after application of the rated voltage for 2000 hours at 85°C)	<table border="1"> <tbody> <tr> <td>Leakage current</td> <td>Less than specified value</td> </tr> <tr> <td>Capacitance change</td> <td>Within ±20% of initial value</td> </tr> <tr> <td>Tanδ</td> <td>Less than 200% of specified value</td> </tr> </tbody> </table>	Leakage current	Less than specified value	Capacitance change	Within ±20% of initial value	Tanδ	Less than 200% of specified value																
Leakage current	Less than specified value																						
Capacitance change	Within ±20% of initial value																						
Tanδ	Less than 200% of specified value																						
Shelf life (at 85°C)	After 1000 hours no load test, leakage current, capacitance and tanδ are same as load life value.																						

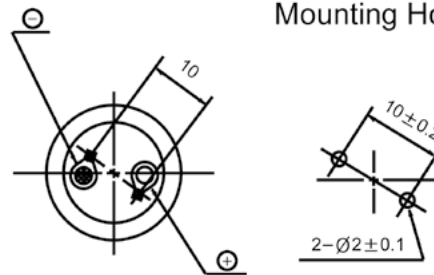
● DRAWING

Unit : mm

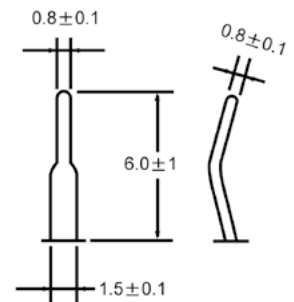
∅D ≤ 40



PC Board Mounting Holes

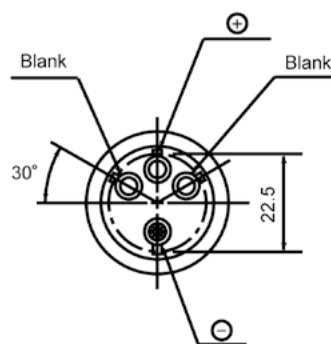
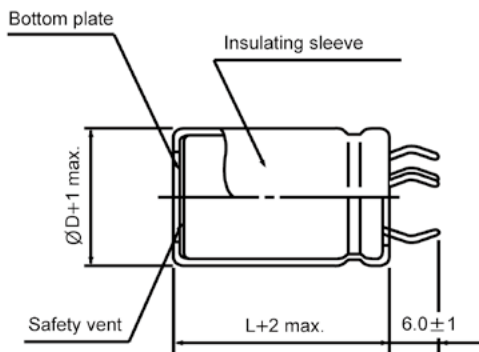


Terminal

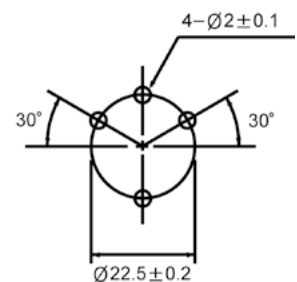


* Shorter terminal(4.0±0.5) is also available upon request.
Terminal length of height 20mm products is applied shorter terminal to standard terminal type.

∅D = 35, 40



PC Board Mounting Holes



● FREQUENCY COEFFICIENT OF PERMISSIBLE RIPPLE CURRENT

WV	Frequency	50Hz	120Hz	300Hz	1kHz	10kHz ≤
~ 100	~ 100	0.85	1.00	1.06	1.15	1.20
	160 ~ 250	0.85	1.00	1.20	1.25	1.45
	315 ~	0.85	1.00	1.15	1.20	1.40

LARGE ALUMINUM ELECTROLYTIC CAPACITORS

I14078 (LS) Series

● DIMENSIONS & MAXIMUM PERMISSIBLE RIPPLE CURRENT

WV μF	6.3		10		16		25		35		50	
	3300											22×30
4700									22×30	3.06	22×40	3.83
									25×25	2.98	25×35	3.98
											30×25	3.86
											35×25	4.19
5600							22×25	2.65	22×35	3.28	22×45	4.26
									25×30	3.39	25×40	4.44
											30×30	4.35
											35×25	4.44
6800							22×30	3.06	22×40	3.73	22×50	4.77
							25×25	3.15	25×30	3.67	25×40	4.76
									30×25	3.76	30×35	4.92
											35×30	5.04
8200							22×35	3.45	22×45	4.13	25×50	5.43
							25×30	3.57	25×35	4.10	30×40	5.38
									30×30	4.22	35×30	5.26
10000					22×25	3.32	22×40	3.95	22×50	4.68	30×45	6.07
							25×30	3.89	25×40	4.68	35×35	5.97
							30×25	3.99	30×30	4.58		
12000			22×25	3.31	22×30	3.55	22×45	4.41	25×45	5.18	30×50	6.62
					25×25	3.89	25×35	4.37	30×35	5.11	35×40	6.55
							30×30	4.50	35×30	5.24		
15000	22×25	3.39	22×30	3.42	22×35	4.29	22×50	4.94	30×40	5.72	35×45	7.20
			25×25	3.39	25×30	4.45	25×40	4.94	35×35	5.88		
					30×25	4.56	30×35	5.10				
18000	22×30	3.85	22×35	4.28	22×40	4.77	25×45	5.45	30×45	6.28	35×50	7.74
	25×25	3.96	25×25	4.17	25×35	4.96	30×35	5.38	35×40	6.46	40×40	7.62
					30×30	5.10	35×30	5.51				
22000	22×35	4.34	22×40	4.79	22×50	5.51	30×45	6.22	35×45	7.07	40×50	8.54
	25×25	4.22	25×30	4.71	25×40	5.51	35×35	6.12	40×40	7.20		
			30×25	4.83	30×30	5.39						
27000	22×40	4.85	22×45	5.30	25×45	6.06	30×50	6.82	40×50	8.14	40×60	9.45
	25×30	4.77	25×35	5.26	30×35	5.98	35×40	6.74				
	30×25	4.89	30×30	5.41	35×25	5.80						
33000	22×45	5.36	22×50	5.82	30×40	6.56	35×45	7.35	40×50	8.46		
	25×35	5.32	25×40	5.81	35×30	6.41	40×40	7.48				
	30×30	5.47	30×30	5.69								
			35×25	5.81								
39000	22×50	5.83	25×45	6.31	30×45	7.08	<p>Ripple current (A rms) at 85°C, 120Hz Case size ΦD×L (mm)</p>					
	25×40	5.82	30×35	6.22	35×35	6.96						
	30×30	5.70	35×30	6.38								
	35×25	5.82										
47000	25×45	6.35	25×50	6.83	30×50	7.62						
	30×35	6.26	30×40	6.78	35×40	7.54						
	35×30	6.41	35×30	6.62								
56000	25×50	6.85	30×45	7.31	35×45	8.08						
	30×40	6.80	35×35	7.18	40×40	8.23						
	35×30	6.64										
68000	30×45	7.35	35×40	7.76	35×50	8.63						
	35×35	7.23			40×50	9.13						
100000	35×45	8.34	40×50	9.35	40×60	10.20						
	40×40	8.49										

LARGE ALUMINUM ELECTROLYTIC CAPACITORS

I14078 (LS) Series

● DIMENSIONS & MAXIMUM PERMISSIBLE RIPPLE CURRENT

WV μF	63		80		100		160		200		250	
	150											22×25 25×20
180									22×20	0.91	22×25 25×20	0.90 1.01
220							22×20	1.01	22×25 25×20	1.09 1.11	22×25 25×25 30×20	1.09 1.19 1.22
270							22×25 25×20	1.20 1.32	22×25 25×25 30×20	1.20 1.32 1.35	22×30 25×25 30×20	1.28 1.32 1.35
330							22×25 25×20	1.33 1.36	22×30 25×25 30×20	1.42 1.46 1.49	22×30 25×30 30×20	1.42 1.56 1.49
390							22×25 25×25 30×20	1.45 1.59 1.62	22×30 25×25 30×25	1.54 1.59 1.74	22×35 25×30 30×25	1.63 1.69 1.73
470							22×30 25×25 30×20	1.69 1.75 1.78	22×35 25×30 30×25	1.79 1.86 1.90	22×40 25×30 30×25 35×25	1.89 1.84 1.90 2.06
560							22×35 25×30 30×25	1.96 2.03 2.08	22×40 25×35 30×25 35×25	2.06 2.14 2.08 2.25	22×50 25×40 30×30 35×25	2.26 2.25 2.20 2.25
680							22×40 25×30 30×25	2.27 2.23 2.29	22×45 25×40 30×30 35×25	2.38 2.48 2.43 2.48	25×45 30×35 35×30	2.60 2.56 2.62
820							22×45 25×35 30×30 35×25	2.61 2.59 2.67 2.73	22×50 25×45 30×35 35×30	2.73 2.85 2.81 2.88	25×45 30×40 35×30	2.82 2.95 2.88
1000							22×50 25×40 30×30 35×25	3.01 3.01 2.95 3.01	30×40 35×30	3.26 3.18	30×45 35×35	3.40 3.35
1200			22×25	2.24	22×30 25×25	2.39 2.46	25×45 30×35 35×30	3.23 3.18 3.26	30×45 35×35	3.49 3.43	35×40 40×40	3.59 3.81
1500			22×30	2.67	22×35 25×30 30×25	2.83 2.93 3.00	30×40 35×35	3.73 3.83	30×50 35×40	4.06 4.01	35×50 40×50	4.35 4.60
1800	22×25	2.20	22×30 25×25	2.92 3.01	22×40 25×35 30×30	3.26 3.39 3.49	35×40 40×40	4.39 4.66	35×45 40×40	4.58 4.66	40×60	5.39
2200	22×30 25×25	2.50 2.58	22×35 25×30 30×25	3.25 3.36 3.45	22×45 25×40 30×30	3.58 3.74 3.66	↑ Case size ΦD×L (mm) ← Ripple current (A rms) at 85°C, 120Hz					
2700	22×35 25×30	2.94 3.04	22×40 25×35 30×30	3.79 3.94 4.05	25×45 30×35 35×30	4.33 4.27 4.37						
3300	22×35 25×30 30×25	3.14 3.26 3.34	22×45 25×40 30×30	4.18 4.36 4.27	25×50 30×40 35×35	4.76 4.72 4.85						
3900	22×40 25×35 30×30	3.60 3.74 3.85	22×50 25×45 30×35	4.75 4.96 4.89	30×45 35×35	5.36 5.27						
4700	22×50 25×40 30×35 35×30	4.19 4.19 4.10 4.19	25×50 30×40 35×30	5.44 5.39 5.27	30×50 35×40	5.86 5.80						
5600	25×45 30×35 35×30	4.65 4.58 4.70	30×45 35×35	5.91 5.81	35×45 40×40	6.34 6.45						
6800	25×50 30×40 35×30	5.20 5.16 5.04	35×40	6.45	40×50	7.40						
8200	30×45 35×35	5.62 5.53	35×45 40×40	6.91 7.04	40×50	7.60						
10000	30×50 35×40	6.32 6.25	40×50	8.14								
12000	35×45 40×40	6.83 6.95										

LARGE ALUMINUM ELECTROLYTIC CAPACITORS

I14078 (LS) Series

● DIMENSIONS & MAXIMUM PERMISSIBLE RIPPLE CURRENT

WV μF	315		350		400		450		500		550	
	47											22×30 25×25 30×20
56							22×20	0.51			22×30 25×30 30×25	0.45 0.49 0.50
68					22×20 25×20	0.56 0.61	22×25 25×20	0.60 0.61	22×25	0.64	22×35 25×30 30×25	0.52 0.53 0.55
82			22×20	0.62	22×25 25×20	0.66 0.68	22×30 25×25 30×20	0.71 0.72 0.74	22×30 25×25	0.76 0.77	22×40 25×35 30×30 35×25	0.60 0.62 0.64 0.66
100	22×20	0.68	22×25 25×20	0.73 0.75	22×25 25×25 30×20	0.74 0.81 0.82	22×30 25×30 30×25	0.78 0.85 0.88	22×40 25×30 30×25	0.92 0.92 0.94	22×45 25×40 30×30 35×25	0.70 0.72 0.71 0.73
120	22×25 25×20	0.80 0.82	22×25 25×25 30×20	0.81 0.88 0.90	22×30 25×25 30×20	0.86 0.88 0.90	22×35 25×30 30×25	0.91 0.93 0.96	25×40 30×30	1.09 1.09	25×45 30×35 35×30	0.83 0.82 0.84
150	22×25 25×25 30×20	0.89 0.99 1.01	22×30 25×25 30×20	0.96 0.97 1.01	22×30 25×30 30×25	0.96 1.05 1.08	22×40 25×35 30×30 35×25	1.07 1.10 1.14 1.16	30×30	1.10	25×50 30×40 35×35	0.96 0.96 0.99
180	22×30 25×25 30×20	1.05 1.07 1.10	22×35 25×30 30×25	1.12 1.14 1.18	22×40 25×35 30×25 35×25	1.17 1.21 1.18 1.28	25×35 30×30 35×25	1.20 1.25 1.28	30×35	1.26	30×45 35×35	1.10 1.08
220	22×35 25×30 30×25	1.23 1.27 1.30	22×40 25×30 30×25 35×25	1.29 1.26 1.30 1.41	22×45 25×40 30×30 35×25	1.35 1.41 1.38 1.41	25×40 30×35 35×30	1.40 1.45 1.49	30×40 35×30	1.46 1.75	35×45 40×40	1.31 1.33
270	22×40 25×30 30×25 35×25	1.43 1.40 1.44 1.56	25×35 30×30 35×25	1.47 1.53 1.65	25×40 30×30 35×25	1.55 1.55 1.56	30×40 35×30	1.62 1.65	35×35	1.83	35×50 40×50	1.51 1.59
330	22×50 25×35 30×30 35×25	1.73 1.63 1.69 1.73	25×40 30×35 35×30	1.71 1.78 1.83	25×45 30×35 35×30	1.80 1.78 1.83	30×45 35×35	1.94 1.94	35×40	1.94	40×50	1.76
390	25×40 30×35 35×30	1.86 1.94 1.99	30×40 35×30	2.03 1.98	30×40 35×30	2.03 1.98	30×50 35×35	2.21 2.09	35×45	2.16	40×60	2.05
470	30×35 35×30	2.13 2.18	30×40 35×35	2.23 2.30	30×45 35×35	2.30 2.30	30×50 35×40 40×40	2.42 2.42 2.55	35×50 40×50	2.23 2.94	40×60	2.25
560	30×40 35×35	2.44 2.50	30×45 35×40	2.55 2.62	35×40 40×40	2.62 2.78	35×50 40×50	2.84 3.00	40×60	3.43		
680	30×45 35×40	2.80 2.88	30×50 35×45 40×40	2.92 3.01 3.06	35×50 40×50	3.13 3.31	40×60	3.54	40×60	3.78		
820	30×50 35×50 40×40	3.21 3.44 3.37	35×50 40×50	3.44 3.63	40×60	3.89						

↑ ↑
Ripple current (A rms) at 85°C , 120Hz
Case size ΦD×L (mm)