



THT, Radial E-Cap., High Temperature Range, for 150°C, Laminated case Series, Suited for automobile electronics where heavy duty services are indispensable, Long Lead, ROHS Conform, Packing Bulk-Ware into Polybag

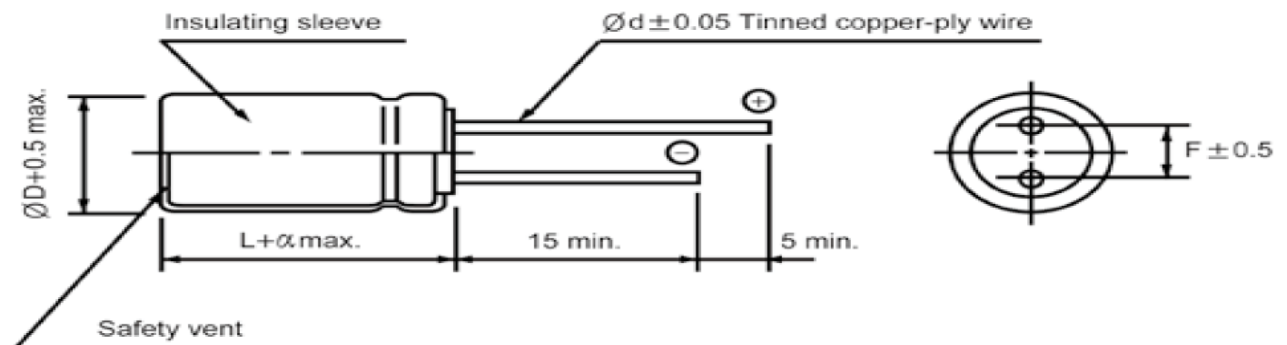
Items		Performance Characteristics											
Operating temperature range		-55°C +150°C (10V~100V), -40 to ~150°C (160,200V), -25 to ~+150°C (350V, 400V)											
Leakage current max.		WV≤100									WV≥100		
		I = 0,03CV + 4µA whichever is greater (after 1 minutes)									I = 0,04CV + 100µA (after 1 minutes)		
Capacitance tolerance		±20% at 120Hz, 20°C											
Dissipation factor max. (at 120Hz, 20°C)		Capacitance > 1000µF ; tanQ increases by 0,02 for each 1000µF from below value.											
		WV	10	16	25	35	50	63	80	100	160, 200	350, 400	
		TanQ	0,20	0,16	0,14	0,12	0,10	0,10	0,08	0,08	0,20	0,24	
Low temperature characteristics (Impedance ratio at 120Jz)		WV	10	16	25	35	50	63	80	100	160, 200	350, 400	
		Z-25°C / Z+20°C	3	2	2	2	2	2	2	2	3	6	
		Z-40°C / Z+20°C	4	4	4	4	4	4	4	4	6	-	
Load life (after application of the rated voltage for 2000hrs at 150°C)		WV	10 ~ 100					160 ~ 400					
		Leakage Current	Less than specified Value										
		Capacitance Change	Within ±30% off initial Value					Within ±20% off initial Value					
		TanQ	Less than 300% of specified value					Less than 200% of specified value					
		Ø10, Ø12,5: 1000Hours;											
Shelf life (at 150°C)		After 1000 hours no load test, leakage current, capacitance and tanQ are same as load life value.											

FREQUENCY COEFFICIENT OF PERMISSIBLE RIPPLE CURRENT

WV	CV/ Frequency	120Hz	300Hz	1kHz	10kHz≤		
10~100	1000>CV	0,50	0,64	0,83	1,00		
	1000≤ CV	0,67	0,79	0,91	1,00		
160~400	µF/ Frequency	50Hz	120Hz	300Hz	1kHz	10kH	100kHz≤
	4,7 ~ 33	0,75	1,00	1,25	1,50	1,75	1,80
	47 ~ 100	0,80	1,00	1,25	1,50	1,40	1,50

Technical Details

Range (µF)	47	ØD(mm)	13,0
Voltage	160	L(mm)	20,0
Impedance (Ω)	-.-	F(mm)	5,0
Ripple Current (mA)	250	Ød(mm)	0,6
ESR (Ω) max.at 20°C 10KHz	-.-	α(mm)	2
Lifetime (hrs)	1000	-.-	-.-
Operating- Temperature Range (°C)	-.40°C ~ +150°C	-.-	-.-



ØD	10	12,5	16	18
F	5,0	5,0	7,5	7,5
Ød	0,6		0,8	
α	2,0			

DRW:	Lexua	CHKD	Wilson	MATL:	ChuChu	DATE	23.12.2024
APPD:	Jimmy			FINISH	Josy	Sheet	1 from 2

Copyright by S.Tiede



THT, Radial E-Cap., High Temperature Range, for 150°C, Laminated case Series, Suited for automobile electronics where heavy duty services are indispensable, Long Lead, ROHS Conform, Packing Bulk-Ware into Polybag

Ordering Informations:

Serie-No. / Voltage / Range / Size	Capacity Tolerance	ROHS	Packing
------------------------------------	--------------------	------	---------

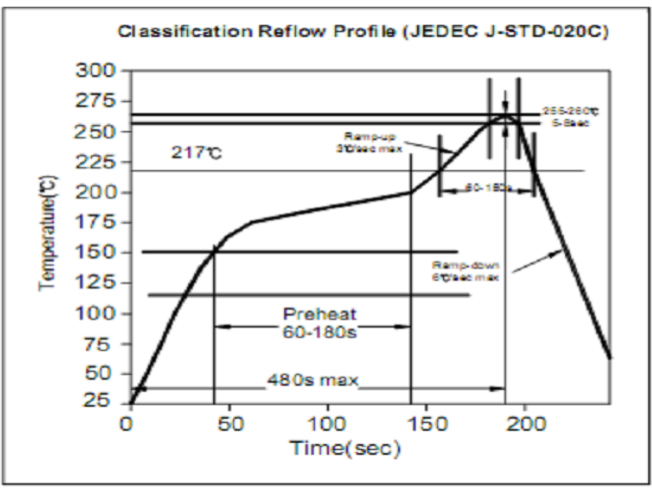
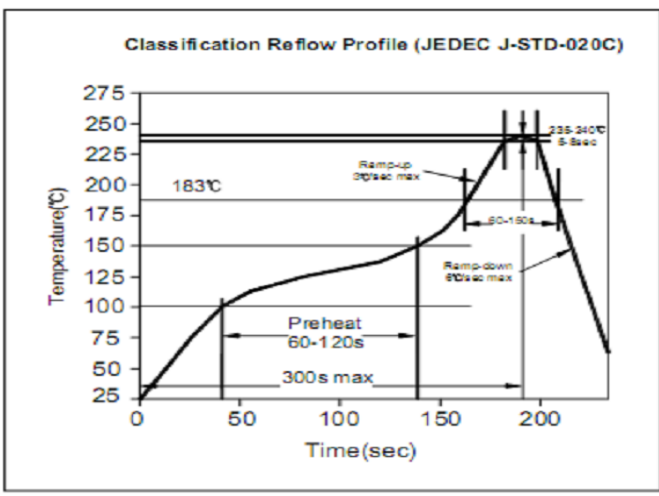
114073-1614701320	M	R	BU
-------------------	---	---	----

Serie	Voltage (V)	Range µH)	D * L (mm)	Tolerance Order Code	R= ROHS N= NON ROHS	BU= Bulk-Ware Long Lead T/B= Tape/Box L3= Lead-Length 3~3,5mm
-------	-------------	-----------	------------	----------------------	------------------------	---

Soldering Information

Lead Solder Performance

Lead free Solder Performance



DRW:	Lexua	CHKD	Wilson	MATL:	ChuChu	DATE	23.12.2024
APPD:	Jimmy			FINISH	Josy	Sheet	2 from 2