



THT, Radial E-Cap., High Temperature Range, for 135°C, Highly dependable reliability withstanding load life of 1000 to 3000 hours at 135°C, suited for automobile electronics where heavy duty services are indispensable, Long Lead, ROHS Conform, Packing Bulk-Ware into Polybag

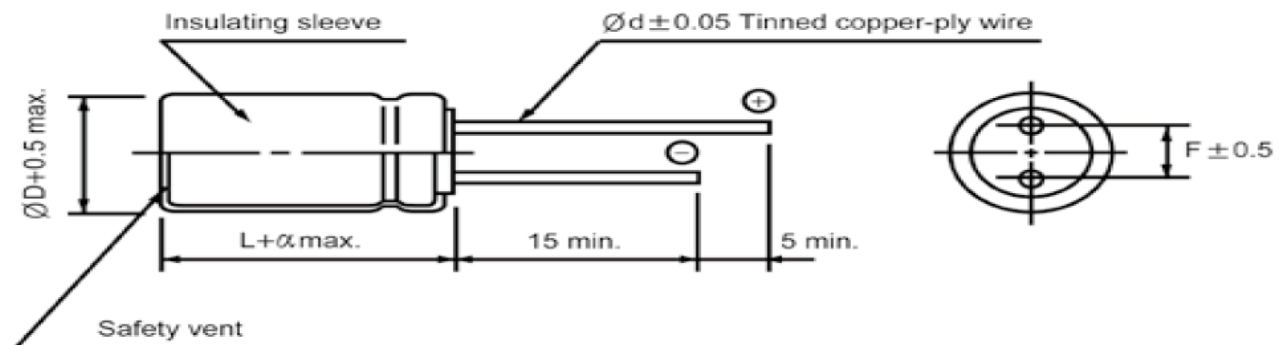
Items		Performance Characteristics												
Operating temperature range		-55°C +135°C												
Leakage current max.		I = 0,03CV + 4µA whichever is greater (after 1 minutes)												
Capacitance tolerance		±20% at 120Hz, 20°C												
Dissipation factor max. (at 120Hz, 20°C)		WV	10	16	25	35	50	63	80	100				
		TanQ	0,20	0,16	0,14	0,12	0,10	0,10	0,08	0,08				
Low temperature characteristics (Impedance ratio at 120Jz)		WV	10	16	25	35	50	63	80	100				
		Z-25°C / Z+20°C	3	2	2	2	2	2	2	2				
		Z-40°C / Z+20°C	4	4	4	4	4	4	4	4				
Load life (after application of the rated voltage for 3000hrs at 135°C)		Leakage Current										Less than specified Value		
		Capacitance Change										Within ±30% off initial Value		
		TanQ										Less than 300% of specified value		
		Ø8: 1000hours, Ø10: 2000Hours; ≥Ø12,5: 3000hours												
Shelf life (at 135°C)		After 1000 hours no load test, leakage current, capacitance and tanQ are same as load life value.												

FREQUENCY COEFFICIENT OF PERMISSIBLE RIPPLE CURRENT

WV	CV/ Frequency	120Hz	300Hz	1kHz	10kHz≤		
10~100	1000>CV	0,50	0,64	0,83	1,00		
	1000≤ CV	0,67	0,79	0,91	1,00		

Technical Details

Range (µF)	220	ØD(mm)	8,0
Voltage	10	L(mm)	11,5
Impedance (Ω)	0,26	F(mm)	3,5
Ripple Current (mA)	340	Ød(mm)	0,5
ESR (Ω) max.at 20°C 10KHz	--	α(mm)	1,5
Lifetime (hrs)	1000	--	--
Operating- Temperature Range (°C)	-55°C ~ +135°C	--	--



ØD	8	10	12,5	16
F	3,5	5,0	5,0	7,5
Ød	0,5	0,6		0,8
α	1,5	2,0		

DRW:	Lexua	CHKD	Wilson	MATL:	ChuChu	DATE	23.12.2024
APPD:	Jimmy			FINISH	Josy	Sheet	1 from 2

Copyright by S.Tiede



THT, Radial E-Cap., High Temperature Range, for 135°C, Highly dependable reliability withstanding load life of 1000 to 3000 hours at 135°C, suited for automobile electronics where heavy duty services are indispensable, Long Lead, ROHS Conform, Packing Bulk-Ware into Polybag

Ordering Informations:

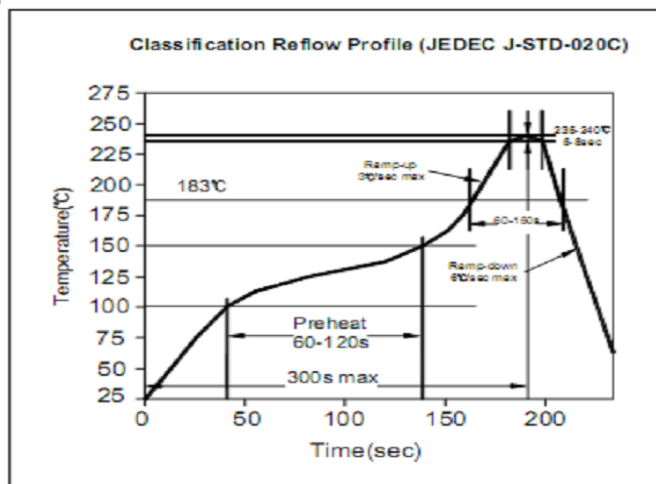
Serie-No. / Voltage / Range / Size	Capacity Tolerance	ROHS	Packing
------------------------------------	--------------------	------	---------

I14072-1002210812	M	R	BU
-------------------	---	---	----

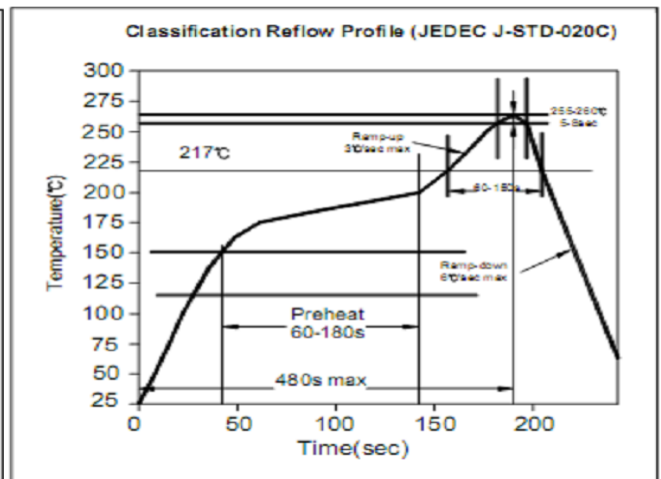
Serie	Voltage (V)	Range µH)	D * L (mm)	Tolerance Order Code	R= ROHS N= NON ROHS	BU= Bulk-Ware Long Lead T/B= Tape/Box L3= Lead-Length 3~3,5mm
-------	-------------	-----------	------------	----------------------	------------------------	---

Soldering Information

Lead Solder Performance



Lead free Solder Performance



DRW:	Lexua	CHKD	Wilson	MATL:	ChuChu	DATE	23.12.2024
APPD:	Jimmy			FINISH	Josy	Sheet	2 from 2