



THT, Radial E-Cap., For PSU, High Reliability, withstanding to 15000 hours load life at 105°C, for power supply and adapter, Long Lead, ROHS Conform, Packing Bulk-Ware into Polybag

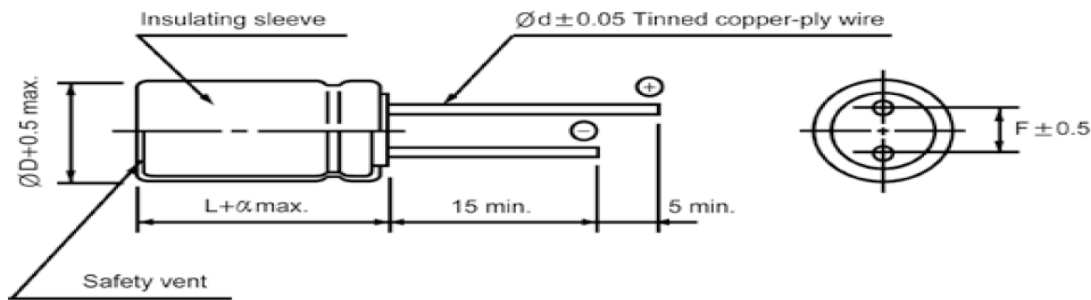
Items	Performance Characteristics											
Operating temperature range	-40°C +105°C											
Leakage current max.	I = 0,04CV + 100µA (after 1 minutes)											
	I = 0,02CV + 25µA (after 5 minutes)											
Capacitance tolerance	±20% at 120Hz, 20°C											
Dissipation factor max. (at 120Hz, 20°C)	WV			160	200	250	350	400	420	450	500	
	TanQ			0,20	0,20	0,20	0,24	0,24	0,24	0,24	0,24	
Low temperature characteristics (Impedance ratio at 120Jz)	WV			160	200	250	350	400	420	450	500	
	Z-25°C / Z+20°C			3	3	3	3	6	6	6	6	
	Z-40°C / Z+20°C			4	4	4	6	6	6	6	6	
Load life (after application of the rated voltage for 15000hrs at 105°C)	Leakage Current					Less than specified Value						
	Capacitance Change					Within ±25% off initial Value						
	TanQ					Less than 200% of specified value						
	Ø10; 12000hours, > Ø12,50 : 15000hours											
Shelf life (at 105°C)	After 1000 hours no load test, leakage current, capacitance and tanQ are same as load life value.											

FREQUENCY COEFFICIENT OF PERMISSIBLE RIPPLE CURRENT

µF/ Frequency	120Hz	1kHz	10kHz	50kHz	100kHz≤
10~82	1,00	1,75	2,25	2,35	2,50
100~470	1,00	1,67	2,05	2,15	2,25

Technical Details

Range (µF)	82	ØD(mm)	18,0
Voltage	350	L(mm)	25,0
Impedance (Ω)	-.-	F(mm)	10,0
Ripple Current (mA)	688	Ød(mm)	0,8
ESR (Ω) max.at 20°C 10KHz	-.-	α(mm)	3
Lifetime (hrs)	15000	-.-	-.-
Operating- Temperature Range (°C)	-40°C ~ +105°C	-.-	-.-



ØD				10	12,5	16	18	22
F				5,0	5,0	7,5	7,5	10,0
Ød				0,6		0,8		
α				2.0				3,0

DRW:	Lexua	CHKD	Wilson	MATL:	ChuChu	DATE	23.12.2024
APPD:	Jimmy			FINISH	Josy	Sheet	1 from 2



THT, Radial E-Cap., For PSU, High Reliability, withstanding to 15000 hours load life at 105°C, for power supply and adapter, Long Lead, ROHS Conform, Packing Bulk-Ware into Polybag

Ordering Informations:

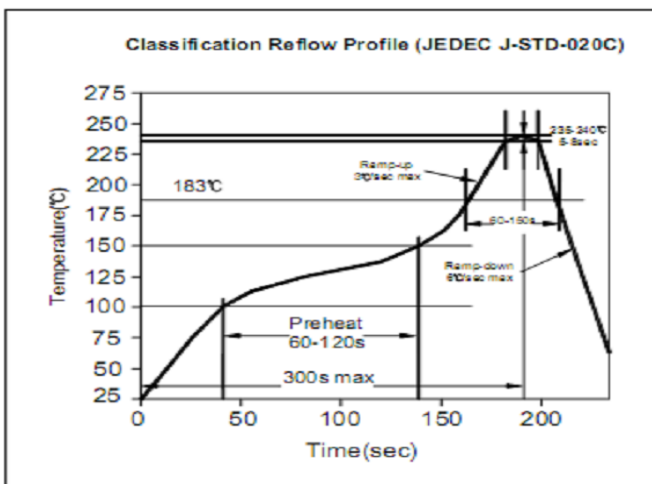
Serie-No. / Voltage / Range / Size	Capacity Tolerance	ROHS	Packing
------------------------------------	--------------------	------	---------

114067-3518201825	M	R	BU
-------------------	---	---	----

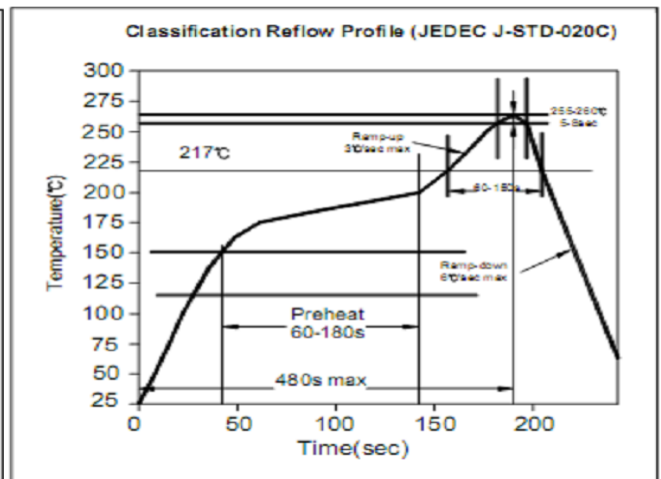
Serie	Voltage (V)	Range µH)	D * L (mm)	Tolerance Order Code	R= ROHS N= NON ROHS	BU= Bulk-Ware Long Lead T/B= Tape/Box L3= Lead-Length 3~3,5mm
-------	-------------	-----------	------------	----------------------	------------------------	---

Soldering Information

Lead Solder Performance



Lead free Solder Performance



DRW:	Lexua	CHKD	Wilson	MATL:	ChuChu	DATE	23.12.2024
APPD:	Jimmy			FINISH	Josy	Sheet	2 from 2