



THT, Radial E-Cap., For PSU, High Reliability, withstanding to 15000 hours load life at 105°C, for power supply and adapter, Long Lead, ROHS Conform, Packing Bulk-Ware into Polybag

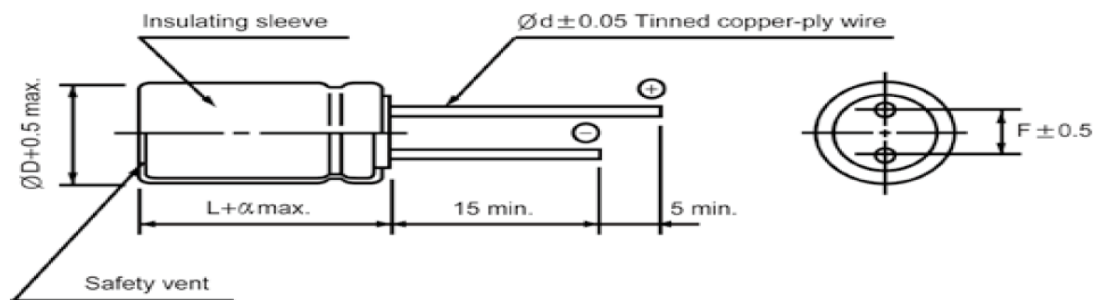
Items	Performance Characteristics											
Operating temperature range	-40°C +105°C											
Leakage current max.	I = 0,04CV + 100µA (after 1 minutes)											
	I = 0,02CV + 25µA (after 5 minutes)											
Capacitance tolerance	±20% at 120Hz, 20°C											
Dissipation factor max. (at 120Hz, 20°C)	WV			160	200	250	350	400	420	450	500	
	TanQ			0,20	0,20	0,20	0,24	0,24	0,24	0,24	0,24	
Low temperature characteristics (Impedance ratio at 120Jz)	WV											
	Z-25°C / Z+20°C											
	Z-40°C / Z+20°C											
Load life (after application of the rated voltage for 15000hrs at 105°C)	Leakage Current											
	Capacitance Change											
	TanQ											
	Less than specified Value Within ±25% off initial Value Less than 200% of specified value											
Shelf life (at 105°C)	Ø10; 12000hours, > Ø12,50 : 15000hours											
	After 1000 hours no load test, leakage current, capacitance and tanQ are same as load life value.											

FREQUENCY COEFFICIENT OF PERMISSIBLE RIPPLE CURRENT

µF/ Frequency	120Hz	1kHz	10kHz	50kHz	100kHz≤
10~82	1,00	1,75	2,25	2,35	2,50
100~470	1,00	1,67	2,05	2,15	2,25

Technical Details

Range (µF)	68	ØD(mm)	13,0
Voltage	250	L(mm)	30,0
Impedance (Ω)	-.-	F(mm)	5,0
Ripple Current (mA)	610	Ød(mm)	0,6
ESR (Ω) max.at 20°C 10KHz	-.-	α(mm)	2
Lifetime (hrs)	15000		-.-
Operating- Temperature Range (°C)	-40°C ~ +105°C		-.-



ØD				10	12,5	16	18	22
F				5,0	5,0	7,5	7,5	10,0
Ød				0,6		0,8		
α				2,0				3,0

DRW:	Lexua	CHKD	Wilson	MATL:	ChuChu	DATE	23.12.2024
APPD:	Jimmy			FINISH	Josy	Sheet	1 from 2



THT, Radial E-Cap., For PSU, High Reliability, withstanding to 15000 hours load life at 105°C, for power supply and adapter, Long Lead, ROHS Conform, Packing Bulk-Ware into Polybag

Ordering Informations:

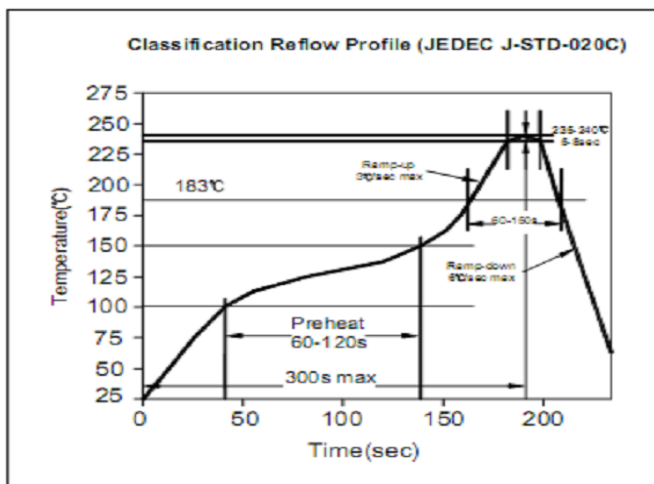
Serie-No. / Voltage / Range / Size	Capacity Tolerance	ROHS	Packing
------------------------------------	--------------------	------	---------

I14067-2516801330	M	R	BU
-------------------	---	---	----

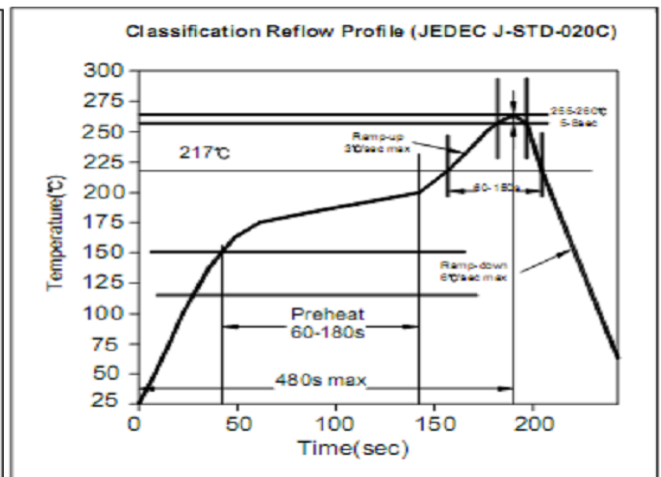
Serie	Voltage (V)	Range µH)	D * L (mm)	Tolerance Order Code	R= ROHS N= NON ROHS	BU= Bulk-Ware Long Lead T/B= Tape/Box L3= Lead-Length 3~3,5mm
-------	-------------	-----------	------------	----------------------	------------------------	---

Soldering Information

Lead Solder Performance



Lead free Solder Performance



DRW:	Lexua	CHKD	Wilson	MATL:	ChuChu	DATE	23.12.2024
APPD:	Jimmy			FINISH	Josy	Sheet	2 from 2