



THT, Radial E-Cap., For PSU High Ripple Current, Long Life, High Reliability, withstanding 12000 hours load life at 105°C, Suitable for CFL, adapter and power supply, Long Lead, ROHS Conform, Packing Bulk-Ware into Polybag

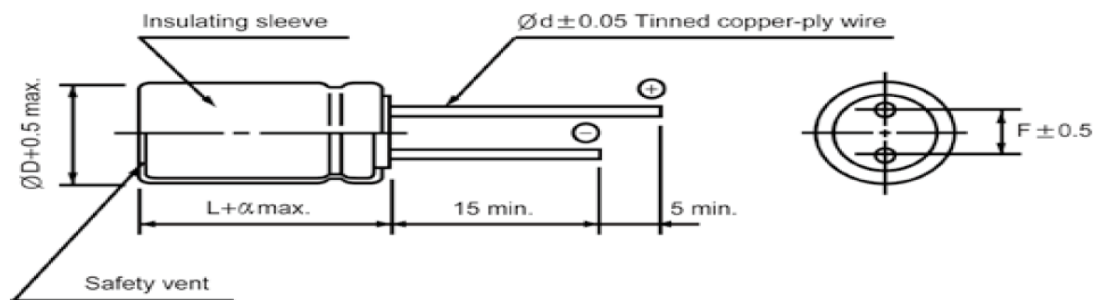
Items	Performance Characteristics											
Operating temperature range	-40°C +105°C (160~450V) ;25~ +105°C (500V)											
Leakage current max.	I = 0,04CV + 100µA (after 1 minutes)											
	I = 0,02CV + 25µA (after 5 minutes)											
Capacitance tolerance	±20% at 120Hz, 20°C											
Dissipation factor max. (at 120Hz, 20°C)	WV			160	200	250	350	400	420	450	500	
	TanQ			0,15	0,15	0,15	0,20	0,20	0,20	0,20	0,24	
Low temperature characteristics (Impedance ratio at 120Jz)	WV											
	Z-25°C / Z+20°C											
	Z-40°C / Z+20°C											
Load life (after application of the rated voltage for 12000hrs at 105°C)	Leakage Current						Less than specified Value					
	Capacitance Change						Within ±25% off initial Value					
	TanQ						Less than 200% of specified value					
Shelf life (at 105°C)	After 1000 hours no load test, leakage current, capacitance and tanQ are same as load life value.											

FREQUENCY COEFFICIENT OF PERMISSIBLE RIPPLE CURRENT

WV	µF/ Frequency	120Hz	300Hz	1kHz	10kHz	50kHz	100kHz≤
160~450	~15	0,30	0,50	0,60	0,90	0,95	1,00
	22~47	0,40	0,50	0,70	0,90	0,95	1,00
	68~	0,50	0,60	0,80	0,90	0,95	1,00
500	~39	0,40	0,50	0,70	0,90	0,95	1,00
	47~	0,50	0,60	0,80	0,90	0,95	1,00

Technical Details

Range (µF)	100	ØD(mm)	16,0
Voltage	160	L(mm)	20,0
Impedance (Ω)	-.-	F(mm)	7,5
Ripple Current (mA)	1210	Ød(mm)	0,8
ESR (Ω) max.at 20°C 10KHz	-.-	α(mm)	2
Lifetime (hrs)	12000	-.-	-.-
Operating- Temperature Range (°C)	-40°C ~ +105°C	-.-	-.-



ØD			8	10	12,5	16	18	22
F			3,5	5,0	5,0	7,5	7,5	10,0
Ød	0,5		0,6		0,8			
α	1,5		2,0			3,0		

DRW:	Lexua	CHKD	Wilson	MATL:	ChuChu	DATE	23.12.2024
APPD:	Jimmy			FINISH	Josy	Sheet	1 from 2

Copyright by S.Tiede



THT, Radial E-Cap., For PSU High Ripple Current, Long Life, High Reliability, withstanding 12000 hours load life at 105°C, Suitable for CFL, adapter and power supply, Long Lead, ROHS Conform, Packing Bulk-Ware into Polybag

Ordering Informations:

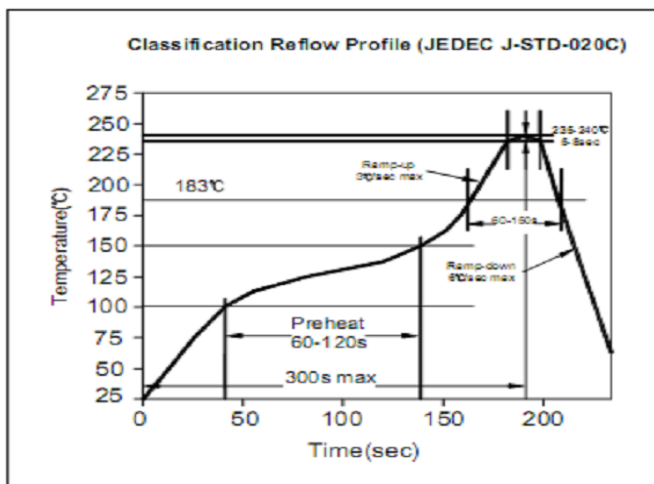
Serie-No. / Voltage / Range / Size	Capacity Tolerance	ROHS	Packing
------------------------------------	--------------------	------	---------

114066-1611011620	M	R	BU
-------------------	---	---	----

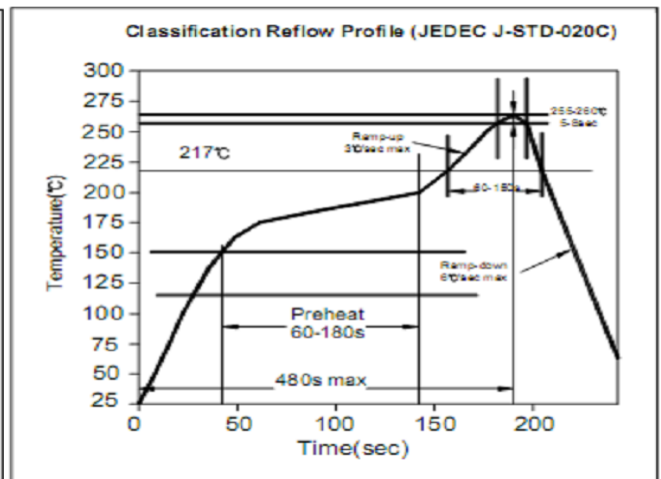
Serie	Voltage (V)	Range µH)	D * L (mm)	Tolerance Order Code	R= ROHS N= NON ROHS	BU= Bulk-Ware Long Lead T/B= Tape/Box L3= Lead-Length 3~3,5mm
-------	-------------	-----------	------------	----------------------	------------------------	---

Soldering Information

Lead Solder Performance



Lead free Solder Performance



DRW:	Lexua	CHKD	Wilson	MATL:	ChuChu	DATE	23.12.2024
APPD:	Jimmy			FINISH	Josy	Sheet	2 from 2