



THT, Radial E-Cap., Low Impedance, High Ripple Current for LED Lighting High Reliability, withstanding 10000 hours load life at 105°C, Long Lead, ROHS Conform, Packing Bulk-Ware into Polybag

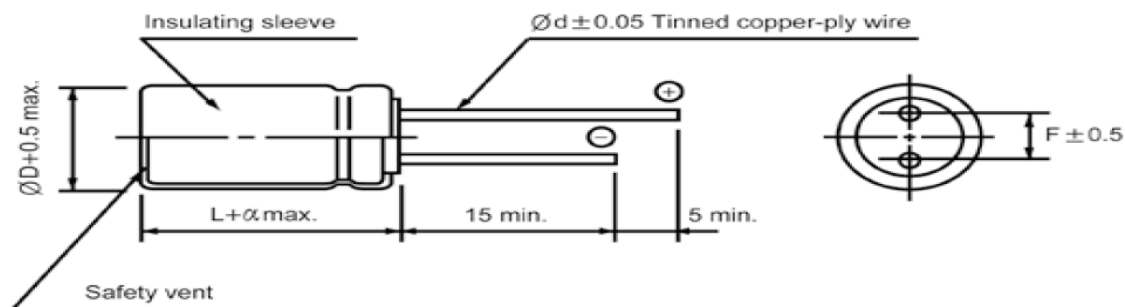
Items	Performance Characteristics																					
Operating temperature range	-40°C +105°C																					
Leakage current max.	I = 0,01CV + 3µA whichever is greater (after 2 minutes)																					
Capacitance tolerance	±20% at 120Hz, 20°C																					
Dissipation factor max. (at 120Hz, 20°C)	Capacitance > 1000µF ; tanQ increases by 0,02 for each 1000µF from below value.																					
	<table border="1"> <tr> <td>WV</td> <td>6,3</td> <td>10</td> <td>16</td> <td>25</td> <td>35</td> <td>50</td> <td>63</td> <td>80</td> <td>100</td> <td>120</td> </tr> <tr> <td>TanQ</td> <td>0,22</td> <td>0,19</td> <td>0,16</td> <td>0,14</td> <td>0,12</td> <td>0,10</td> <td>0,09</td> <td>0,08</td> <td>0,08</td> <td>0,08</td> </tr> </table>	WV	6,3	10	16	25	35	50	63	80	100	120	TanQ	0,22	0,19	0,16	0,14	0,12	0,10	0,09	0,08	0,08
WV	6,3	10	16	25	35	50	63	80	100	120												
TanQ	0,22	0,19	0,16	0,14	0,12	0,10	0,09	0,08	0,08	0,08												
Low temperature characteristics (Impedance ratio at 120Jz)	Z-25°C / Z+20°C	2																				
	Z-40°C / Z+20°C	3																				
Load life (after application of the rated voltage for 2000hrs at 85°C)	WV	6,3~10	63~120																			
	Leakage Current	Less than specified Value																				
	Capacitance Change	Within ±30% off initial Value	Within ±25% off initial Value																			
	TanQ	Less than 200% of specified value																				
	∅D	WV	6,3	10~50	63~120																	
	∅5 ~ ∅6,3		6000	8000	6000																	
	∅8x11,5		8000	9000	8000																	
	∅8x16 ~ 20		9000	10000	9000																	
	∅10x12,5			9000																		
	∅10x16~25			10000																		
∅12,5 ~			10000																			
Shelf life (at 85°C)	After 1000 hours no load test, leakage current, capacitance and tanQ are same as load life value.																					

FREQUENCY COEFFICIENT OF PERMISSIBLE RIPPE CURRENT

µF / Frequency	120Hz	1kHz	10kHz	50kHz	100kHz≤
~33	0,42	0,70	0,90	0,95	1,00
47 ~ 270	0,50	0,73	0,92	0,10	1,00
330 ~ 680	0,55	0,77	0,94	0,97	1,00
820 ~ 1800	0,60	0,80	0,96	0,98	1,00
2200 ~	0,70	0,85	0,98	0,99	1,00

Technical Details

Range (µF)	8200	∅D(mm)	16,0
Voltage	6,3	L(mm)	25,0
Impedance (Ω)	0,016	F(mm)	7,5
Ripple Current (mA)	3630	∅d(mm)	0,8
ESR (Ω) max.at 20°C 10KHz	-.-	α(mm)	2
Lifetime (hrs)	10000	-.-	-.-
Operating- Temperature Range (°C)	-40°C ~ +105°C	-.-	-.-



∅D	5	6,3	8	10	12,5	16	18
F	2,0	2,5	3,5	5,0	5,0	7,5	7,5
∅d	0,5		0,6		0,8		
α	1,5			2,0			

DRW:	Lexua	CHKD	Wilson	MATL:	ChuChu	DATE	23.12.2024
APPD:	Jimmy			FINISH	Josy	Sheet	1 from 2

Copyright by S.Tiede



THT, Radial E-Cap., Low Impedance, High Ripple Current for LED Lighting High Reliability, withstanding 10000 hours load life at 105°C, Long Lead, ROHS Conform, Packing Bulk-Ware into Polybag

Ordering Informations:

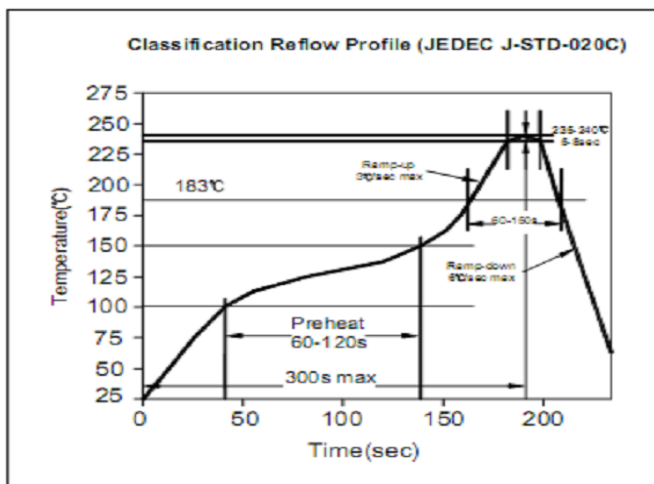
Serie-No. / Voltage / Range / Size	Capacity Tolerance	ROHS	Packing
------------------------------------	--------------------	------	---------

114063-6V38221625	M	R	BU
-------------------	---	---	----

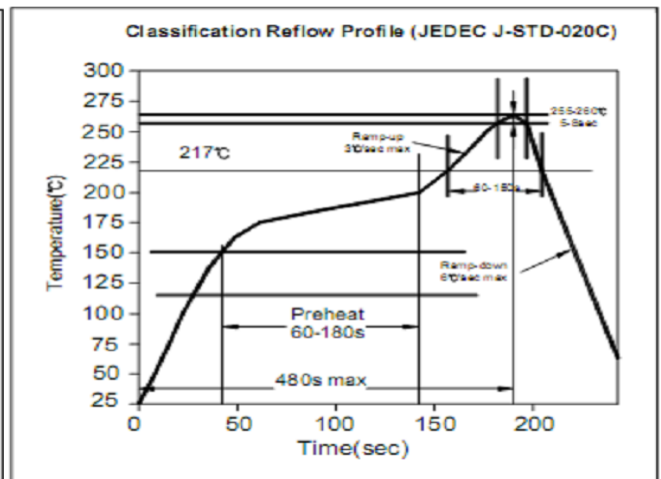
Serie	Voltage (V)	Range μ H)	D * L (mm)	Tolerance Order Code	R= ROHS N= NON ROHS	BU= Bulk-Ware Long Lead T/B= Tape/Box L3= Lead-Length 3~3,5mm
-------	-------------	----------------	------------	----------------------	------------------------	---

Soldering Information

Lead Solder Performance



Lead free Solder Performance



DRW:	Lexua	CHKD	Wilson	MATL:	ChuChu	DATE	23.12.2024
APPD:	Jimmy			FINISH	Josy	Sheet	2 from 2