



THT, Radial E-Cap., High Reliability, withstanding to 12000 hours load life at 105°C, Long Lead, ROHS Conform, Packing Bulk-Ware into Polybag

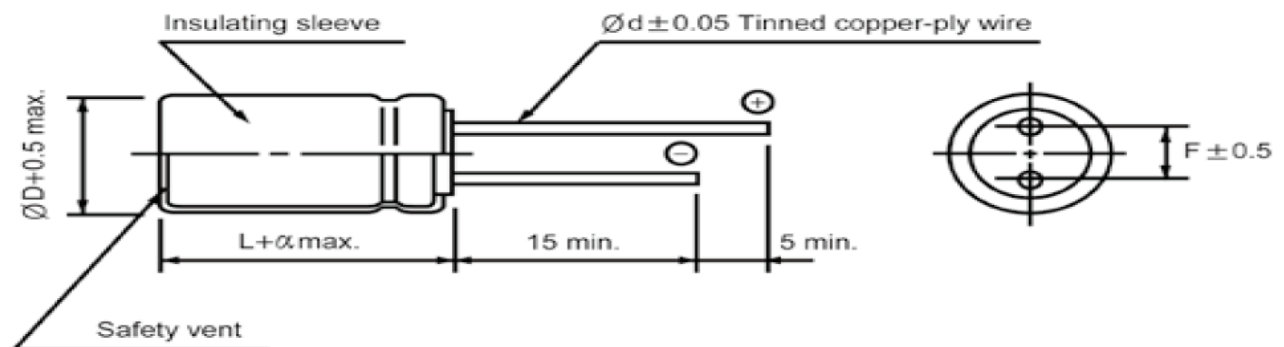
Items	Performance Characteristics																	
Operating temperature range	-40°C +105°C																	
Leakage current max.	I = 0,01CV + 3µA whichever is greater (after 2 minutes)																	
	I = 0,03CV + 4µA whichever is greater (after 1 minutes)																	
Capacitance tolerance	±20% at 120Hz, 20°C																	
Dissipation factor max. (at 120Hz, 20°C)	Capacitance > 1000µF ; tanQ increases by 0,02 for each 1000µF from below value.																	
	<table border="1"> <tr> <td>WV</td> <td>6,3</td> <td>10</td> <td>16</td> <td>25</td> <td>35</td> <td>50</td> <td></td> <td></td> </tr> <tr> <td>TanQ</td> <td>0,22</td> <td>0,19</td> <td>0,16</td> <td>0,14</td> <td>0,12</td> <td>0,10</td> <td></td> <td></td> </tr> </table>	WV	6,3	10	16	25	35	50			TanQ	0,22	0,19	0,16	0,14	0,12	0,10	
WV	6,3	10	16	25	35	50												
TanQ	0,22	0,19	0,16	0,14	0,12	0,10												
Low temperature characteristics (Impedance ratio at 120Jz)	Z-40°C / Z+20°C																	
	Z-25°C / Z+20°C																	
Load life (after application of the rated voltage for 12000hrs at 105°C)	Leakage Current																	
	Capacitance Change																	
	TanQ																	
	∅5 , ∅6,3 : 7000hours; ∅8: 9000hours : ∅10 : 12000hours																	
Shelf life (at 105°C)	After 1000 hours no load test, leakage current, capacitance and tanQ are same as load life value.																	

FREQUENCY COEFFICIENT OF PERMISSIBLE RIPPLE CURRENT

µF	Frequency	120Hz	1kHz	10kHz	50kHz	100kHz≤
~33		0,42	0,70	0,90	0,95	1,00
47~270		0,50	0,73	0,92	0,96	1,00
330~680		0,55	0,77	0,94	0,97	1,00
820~1800		0,60	0,80	0,96	0,98	1,00
2200~		0,70	0,85	0,98	0,99	1,00

Technical Details

Range (µF)	6800	∅D(mm)	16,0
Voltage	10	L(mm)	25,0
Impedance (Ω)	0,018	F(mm)	7,5
Ripple Current (mA)	3630	∅d(mm)	0,8
ESR (Ω) max.at 20°C 10KHz	-.-	α(mm)	2
Lifetime (hrs)	12000	-.-	-.-
Operating- Temperature Range (°C)	-40°C ~ +105°C	-.-	-.-



∅D	5	6,3	8	10	12,5	16	18
F	2	2,5	3,5	5,0	5,0	7,5	7,5
∅d	0,5		0,6		0,8		
α	1,5			2,0			

DRW:	Lexua	CHKD	Wilson	MATL:	ChuChu	DATE	23.12.2024
APPD:	Jimmy			FINISH	Josy	Sheet	1 from 2

Copyright by S.Tiede



THT, Radial E-Cap., High Reliability, withstanding to 12000 hours load life at 105°C, Long Lead, ROHS Conform, Packing Bulk-Ware into Polybag

Ordering Informations:

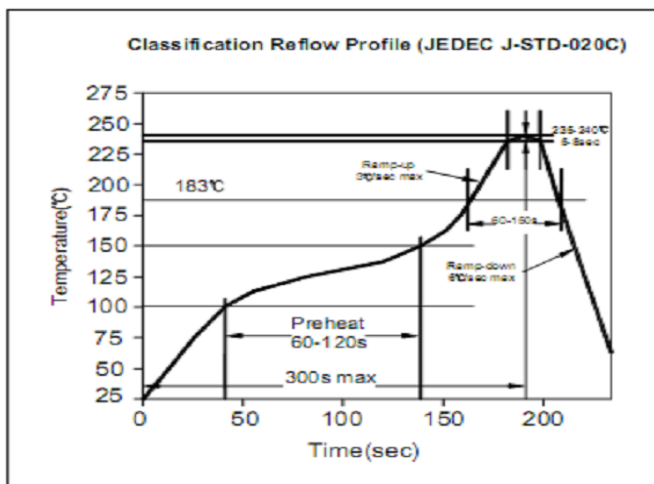
Serie-No. / Voltage / Range / Size	Capacity Tolerance	ROHS	Packing
------------------------------------	--------------------	------	---------

I14060-1006821625	M	R	BU
-------------------	---	---	----

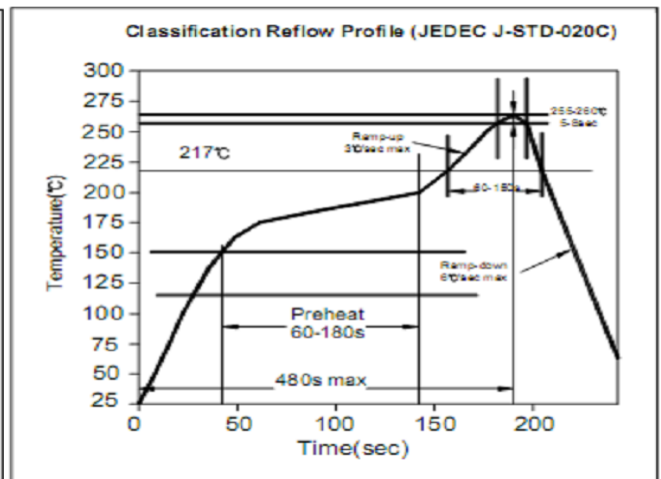
Serie	Voltage (V)	Range µH)	D * L (mm)	Tolerance Order Code	R= ROHS N= NON ROHS	BU= Bulk-Ware Long Lead T/B= Tape/Box L3= Lead-Length 3~3,5mm
-------	-------------	-----------	------------	----------------------	------------------------	---------------------------------------------------------------------

Soldering Information

Lead Solder Performance



Lead free Solder Performance



DRW:	Lexua	CHKD	Wilson	MATL:	ChuChu	DATE	23.12.2024
APPD:	Jimmy			FINISH	Josy	Sheet	2 from 2