



THT, Radial E-Cap., Ultra Low Impedance Enabled high ripple current by a reduction of impedance at high frequency. high reliability withstanding to 5000hrs load life at 105°C, Long Lead, ROHS Conform, Packing Bulk-Ware into Polybag

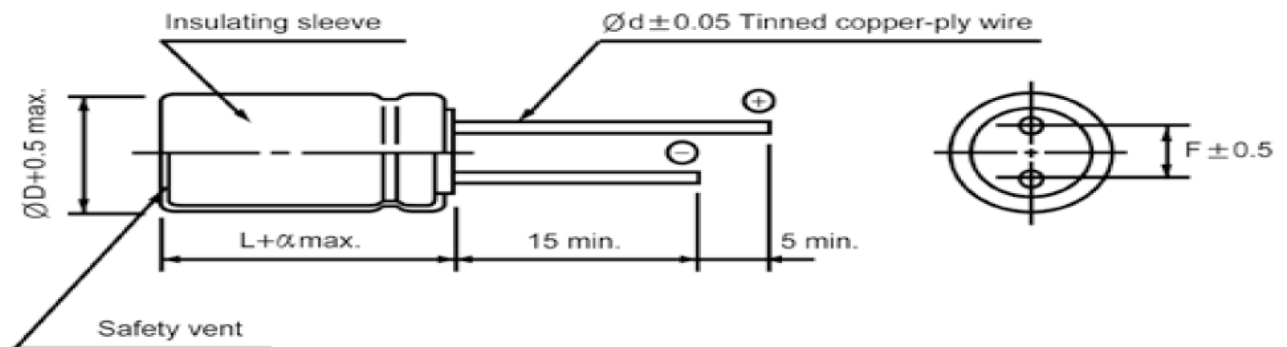
Items	Performance Characteristics																	
Operating temperature range	-40°C +105°C																	
Leakage current max.	I = 0,01CV + 3µA whichever is greater (after 2 minutes)																	
	I = 0,03CV + 4µA whichever is greater (after 1 minutes)																	
Capacitance tolerance	±20% at 120Hz, 20°C																	
Dissipation factor max. (at 120Hz, 20°C)	Capacitance > 1000µF ; tanQ increases by 0,02 for each 1000µF from below value.																	
	<table border="1"> <tr> <td>WV</td> <td>6,3</td> <td>10</td> <td>16</td> <td>25</td> <td>35</td> <td>50</td> <td>63</td> <td>100</td> </tr> <tr> <td>TanQ</td> <td>0,22</td> <td>0,19</td> <td>0,16</td> <td>0,14</td> <td>0,12</td> <td>0,10</td> <td>0,09</td> <td>0,08</td> </tr> </table>	WV	6,3	10	16	25	35	50	63	100	TanQ	0,22	0,19	0,16	0,14	0,12	0,10	0,09
WV	6,3	10	16	25	35	50	63	100										
TanQ	0,22	0,19	0,16	0,14	0,12	0,10	0,09	0,08										
Low temperature characteristics (Impedance ratio at 120Jz)	Z-40°C / Z+20°C																	
	Z-25°C / Z+20°C																	
Load life (after application of the rated voltage for 5000hrs at 105°C)	Leakage Current																	
	Capacitance Change																	
	TanQ																	
	∅5 , ∅6,3 : 2000hours; ∅8: 3000hours : ∅10 : 5000hours																	
Shelf life (at 105°C)	After 1000 hours no load test, leakage current, capacitance and tanQ are same as load life value.																	

FREQUENCY COEFFICIENT OF PERMISSIBLE RIPPE CURRENT

µF	Frequency	120Hz	1kHz	10kHz	50kHz	100kHz≤
~33		0,42	0,70	0,90	0,95	1,00
47~270		0,50	0,73	0,92	0,96	1,00
330~680		0,55	0,77	0,94	0,97	1,00
1000~1500		0,60	0,80	0,96	0,98	1,00
2000~		0,70	0,85	0,98	0,99	1,00

Technical Details

Range (µF)	150	∅D(mm)	6,3
Voltage	10	L(mm)	11,0
Impedance (Ω)	0,15	F(mm)	2,5
Ripple Current (mA)	405	∅d(mm)	0,5
ESR (Ω) max.at 20°C 10KHz	--	α(mm)	1,5
Lifetime (hrs)	2000	--	--
Operating- Temperature Range (°C)	-40°C ~ +105°C	--	--



∅D	5	6,3	8	10	12,5	16	18	22
F	2	2,5	3,5	5,0	5,0	7,5	7,5	10,0
∅d	0,5		0,6		0,8			
α	1,5		2,0			3,0		

DRW:	Lexua	CHKD	Wilson	MATL:	ChuChu	DATE	23.12.2024
APPD:	Jimmy			FINISH	Josy	Sheet	1 from 2

Copyright by S.Tiede



THT, Radial E-Cap., Ultra Low Impedance Enabled high ripple current by a reduction of impedance at high frequency. high reliability withstanding to 5000hrs load life at 105°C, Long Lead, ROHS Conform, Packing Bulk-Ware into Polybag

Ordering Informations:

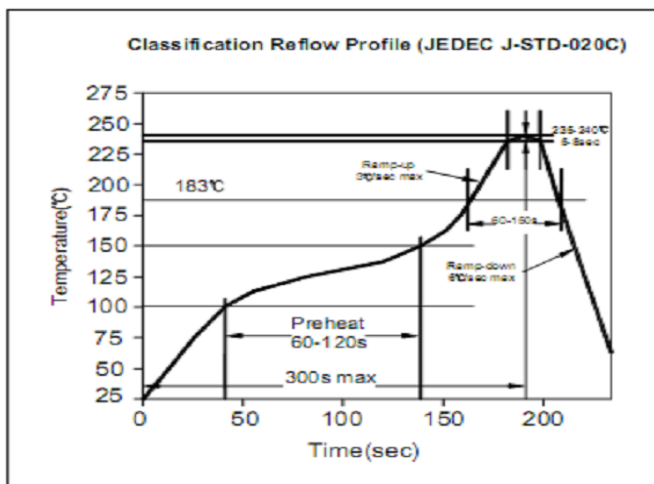
Serie-No. / Voltage / Range / Size	Capacity Tolerance	ROHS	Packing
------------------------------------	--------------------	------	---------

114057-1001510611	M	R	BU
-------------------	---	---	----

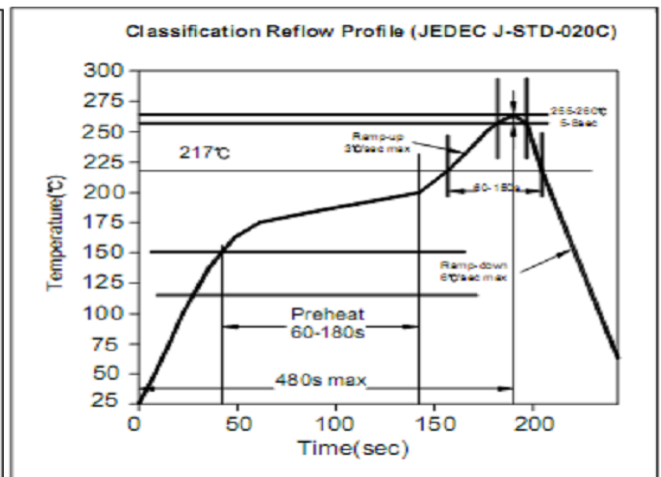
Serie	Voltage (V)	Range µH)	D * L (mm)	Tolerance Order Code	R= ROHS N= NON ROHS	BU= Bulk-Ware Long Lead T/B= Tape/Box L3= Lead-Length 3~3,5mm
-------	-------------	-----------	------------	----------------------	------------------------	---

Soldering Information

Lead Solder Performance



Lead free Solder Performance



DRW:	Lexua	CHKD	Wilson	MATL:	ChuChu	DATE	23.12.2024
APPD:	Jimmy			FINISH	Josy	Sheet	2 from 2