



THT, Radial E-Cap., Enabled high ripple current by a reduction of impedance at high frequency. high reliability withstanding to 5000hrs load life at 105°C, Long Lead, ROHS Conform, Packing Bulk-Ware into Polybag

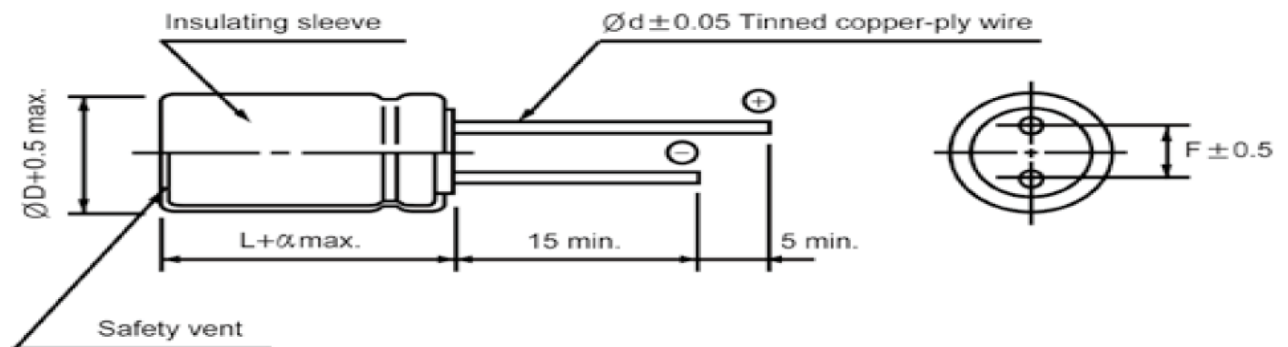
Items	Performance Characteristics	
Operating temperature range	-40°C +105°C	
Leakage current max.	I = 0,01CV + 3µA whichever is greater (after 2 minutes)	
	I = 0,03CV + 4µA whichever is greater (after 1 minutes)	
Capacitance tolerance	±20% at 120Hz, 20°C	
Dissipation factor max. (at 120Hz, 20°C)	Capacitance > 1000µF ; tanQ increases by 0,02 for each 1000µF from below value.	
	WV	6,3 10 16 25 35 50 63 100
	TanQ	0,22 0,18 0,16 0,14 0,12 0,10 0,08 0,08
Low temperature characteristics (Impedance ratio at 120Jz)	Z-40°C / Z+20°C	Z-25°C / Z+20°C
	3	2
Load life (after application of the rated voltage for 2000hrs at 105°C)	Leakage Current	Less than specified Value
	Capacitance Change	Within ±20% off initial Value
	TanQ	Less than 150% of specified value
	∅5 , ∅6,3 : 2000hours; ∅8: 3000hours : ∅10 : 5000hours	
Shelf life (at 105°C)	After 1000 hours no load test, leakage current, capacitance and tanQ are same as load life value.	

FREQUENCY COEFFICIENT OF PERMISSIBLE RIPPE CURRENT

WV	Frequency	120Hz	1kHz	10kHz	50kHz	10kHz≤
~33		0,40	0,65	0,82	0,94	1,00
39 ~ 270		0,50	0,70	0,84	0,96	1,00
330 ~ 680		0,55	0,75	0,86	0,96	1,00
820 ~ 1800		0,60	0,80	0,90	0,97	1,00
2200~		0,70	0,85	0,90	0,97	1,00

Technical Details

Range (µF)	220	∅D(mm)	10,0
Voltage	63	L(mm)	25,0
Impedance (Ω)	0,07	F(mm)	5,0
Ripple Current (mA)	1300	∅d(mm)	0,6
ESR (Ω) max.at 20°C 10KHz	--	α(mm)	2
Lifetime (hrs)	5000	--	--
Operating- Temperature Range (°C)	-40°C ~ +105°C	--	--



∅D	5	6,3	8	10	12,5	16	18
F	2	2,5	3,5	5,0	5,0	7,5	7,5
∅d	0,5		0,6		0,8		
α	1,5		2,0				

DRW:	Lexua	CHKD	Wilson	MATL:	ChuChu	DATE	07.01.2025
APPD:	Jimmy			FINISH	Josy	Sheet	1 from 2

Copyright by S.Tiede



THT, Radial E-Cap., Enabled high ripple current by a reduction of impedance at high frequency. high reliability withstanding to 5000hrs load life at 105°C, Long Lead, ROHS Conform, Packing Bulk-Ware into Polybag

Ordering Informations:

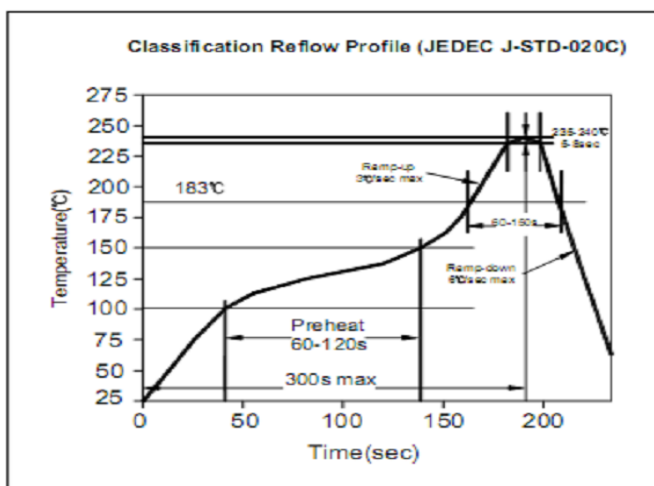
Serie-No. / Voltage / Range / Size	Capacity Tolerance	ROHS	Packing
------------------------------------	--------------------	------	---------

114056-6302211025	M	R	BU
-------------------	---	---	----

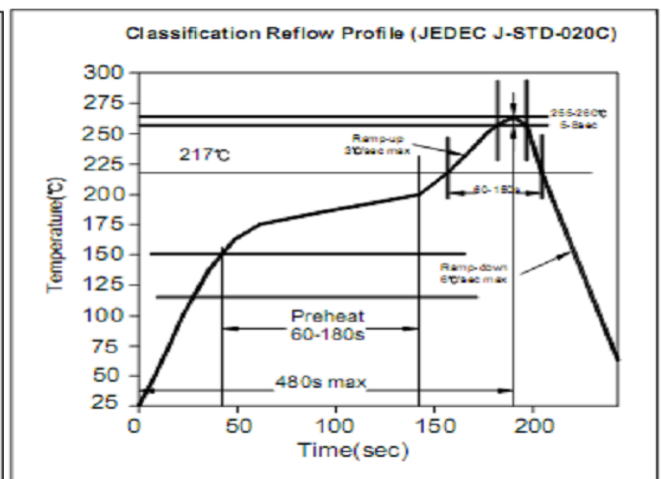
Serie	Voltage (V)	Range μ H)	D * L (mm)	Tolerance Order Code	R= ROHS N= NON ROHS	BU= Bulk-Ware Long Lead T/B= Tape/Box L3= Lead-Length 3~3,5mm
-------	-------------	----------------	------------	----------------------	------------------------	---

Soldering Information

Lead Solder Performance



Lead free Solder Performance



DRW:	Lexua	CHKD	Wilson	MATL:	ChuChu	DATE	07.01.2025
APPD:	Jimmy			FINISH	Josy	Sheet	2 from 2