



THT, Radial E-Cap., Low Impedance, High Frequency, Temperatur-Range 105°C, Life-Time to 5000Hrs. Long Lead, ROHS Conform, Packing Bulk-Ware into Polybag

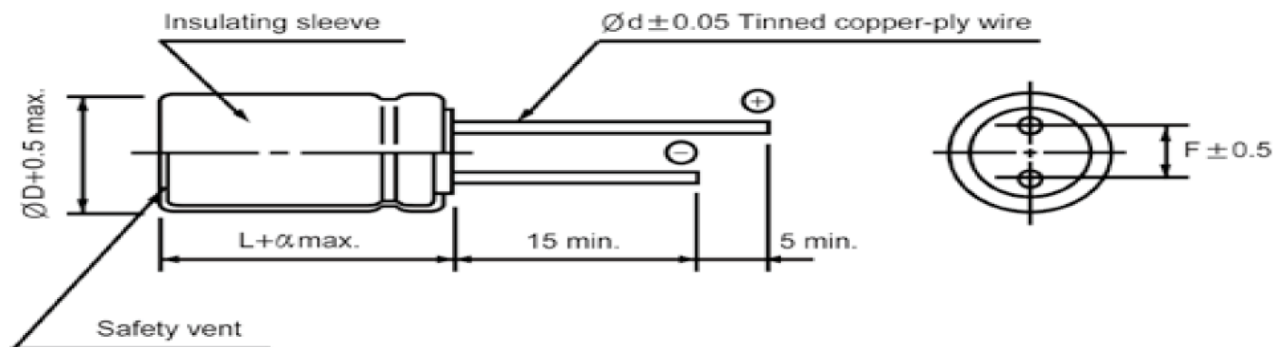
Items		Performance Characteristics										
Operating temperature range		-40°C +105°C (6,3V~450V), -25°C ~ +105°C (500)										
Leakage current max.		WV≤100					WV≥100					
		I = 0,01CV + 3µA whichever is greater (after 2 minutes)					I = 0,02CV + 15µA (after 5 minutes)					
Capacitance tolerance		±20% at 120Hz, 20°C										
Dissipation factor max. (at 120Hz, 20°C)		WV	6,3	10	16	25	35	50	63	100	160~250	350~500
		TanQ	0,22	0,19	0,16	0,14	0,12	0,10	0,09	0,08	0,15	0,20
Low temperature characteristics (Impedance ratio at 120Jz)			6,3	10	16	25~100	160~250				350~450	500
		Z-25°C / Z+20°C	4	3	2	2	2				6	8
		Z-40°C / Z+20°C	8	6	4	3	4				10	-
Load life (after application of the rated voltage for 2000hrs at 85°C)		Leakage Current					Less than specified Value					
		Capacitance Change					Within ±25% off initial Value					
		TanQ					Less than 200% of specified value					
		WV≤ 100 ; Ø5, Ø6,3 (2000hour), Ø8, : 3000hours, ≥Ø10 : 5000hours ; WV≥100: 2000hours										
Shelf life (at 105°C)		After 1000 hours no load test, leakage current, capacitance and tanQ are same as load life value.										

FREQUENCY COEFFICIENT OF PERMISSIBLE RIPPLE CURRENT

µF	Frequency	120Hz	1kHz	10kHz	50kHz	100kHz≤
~33		0,40	0,65	0,82	0,91	1,00
39~270		0,50	0,70	0,84	0,92	1,00
330~680		0,55	0,75	0,86	0,93	1,00
820~1800		0,60	0,80	0,88	0,94	1,00
2200~		0,70	0,85	0,90	0,95	1,00

Technical Details

Range (µF)	150	ØD(mm)	6,3
Voltage	10	L(mm)	11,0
Impedance (Ω)	0,3	F(mm)	2,5
Ripple Current (mA)	280	Ød(mm)	0,5
ESR (Ω) max.at 20°C 10KHz	--	α(mm)	1,5
Lifetime (hrs)	2000	--	--
Operating- Temperature Range (°C)	-.40°C ~ +105°C	--	--



ØD	5	6,3	8	10	12,5	16	18	22
F	2	2,5	3,5	5,0	5,0	7,5	7,5	10,0
Ød	0,5		0,6		0,8			
α	1,5		2,0			3,0		

DRW:	Lexua	CHKD	Wilson	MATL:	ChuChu	DATE	23.12.2024
APPD:	Jimmy			FINISH	Josy	Sheet	1 from 2

Copyright by S.Tiede



THT, Radial E-Cap., Low Impedance, High Frequency, Temperatur-Range 105°C, Life-Time to 5000Hrs. Long Lead, ROHS Conform, Packing Bulk-Ware into Polybag

Ordering Informations:

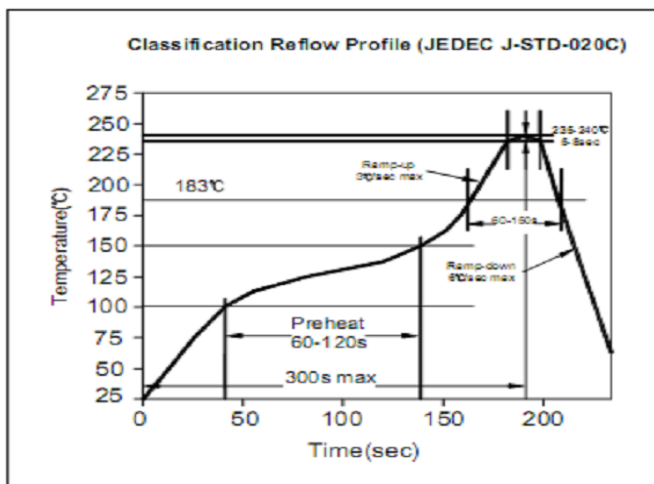
Serie-No. / Voltage / Range / Size	Capacity Tolerance	ROHS	Packing
------------------------------------	--------------------	------	---------

I14054-1001510611	M	R	BU
-------------------	---	---	----

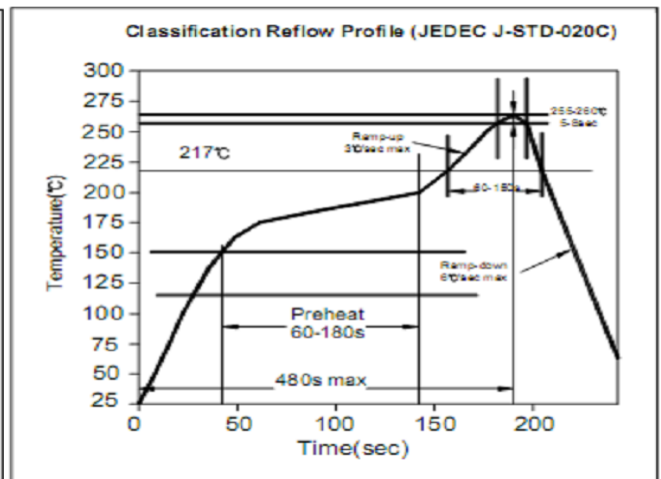
Serie	Voltage (V)	Range µH)	D * L (mm)	Tolerance Order Code	R= ROHS N= NON ROHS	BU= Bulk-Ware Long Lead T/B= Tape/Box L3= Lead-Length 3~3,5mm
-------	-------------	-----------	------------	----------------------	------------------------	---

Soldering Information

Lead Solder Performance



Lead free Solder Performance



DRW:	Lexua	CHKD	Wilson	MATL:	ChuChu	DATE	23.12.2024
APPD:	Jimmy			FINISH	Josy	Sheet	2 from 2