



THT, Radial E-Cap., Non-polarized Designed for use in circuits with reversing polarity, Higher voltage rating available up to 250V, load life of 2000 hours at 85°C, Long Lead, ROHS Conform, Packing Bulk-Ware into Polybag

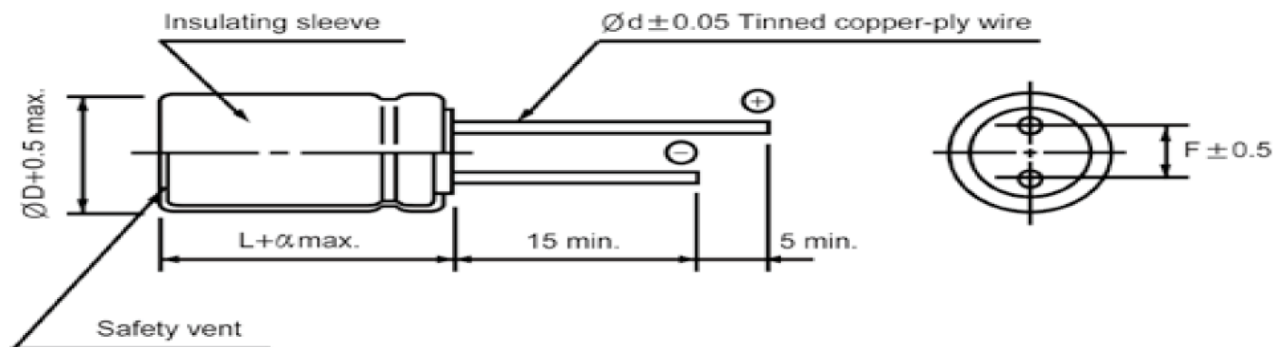
Items		Performance Characteristics											
Operating temperature range		-40°C +85°C											
Leakage current max.		I = 0,03CV or 3µA whichever is greater (after 5 minutes)											
Capacitance tolerance		±20% at 120Hz, 20°C											
Dissipation factor max. (at 120Hz, 20°C)		Capacitance > 1000µF ; tanQ increases by 0,02 for each 1000µF from below value.											
		WV	6,3	10	16	25	35	50	63	80	100	160	220~250
		TanQ	0,25	0,23	0,20	0,15	0,15	0,12	0,20	0,12	0,12	0,15	0,20
Low temperature characteristics (Impedance ratio at 120Jz)		WV	6,3	10	16						25~100	160~250	
		Z-25°C / Z+20°C	4	3	2						2	3	
		Z-40°C / Z+20°C	10	8	6						4	5	
Load life (after application of the rated voltage for 2000hrs at 85°C)		Leakage Current					Less than specified Value						
		Capacitance Change					Within ±20% of initial value						
		TanQ					Less than 200% of specified value						
Shelf life (at 85°C)		After 1000 hours no load test, leakage current, capacitance and tanQ are same as load life value.											

FREQUENCY COEFFICIENT OF PERMISSIBLE RIPPLE CURRENT

WV	µF/Frequency	50Hz	120Hz	1kHz	10kHz		
	~47	0,75	1,00	1,55	2,00		
	68~680	0,80	1,00	1,34	1,50		
	1000~	0,85	1,00	1,13	1,15		

Technical Details

Range (µF)	33	∅D(mm)	16,0
Voltage	160	L(mm)	25,0
Impedance (Ω)	-.-	F(mm)	7,5
Ripple Current (mA)	240	∅d(mm)	0,8
ESR (Ω) max.at 20°C 10KHz	-.-	α(mm)	2
Lifetime (hrs)	2000	-.-	-.-
Operating- Temperature Range (°C)	-40°C ~ +85°C	-.-	-.-



DRW:	Lexua	CHKD	Wilson	MATL:	ChuChu	DATE	19.12.2024
APPD:	Jimmy			FINISH	Josy	Sheet	1 from 2



THT, Radial E-Cap., Non-polarized Designed for use in circuits with reversing polarity, Higher voltage rating available up to 250V, load life of 2000 hours at 85°C, Long Lead, ROHS Conform, Packing Bulk-Ware into Polybag

Ordering Informations:

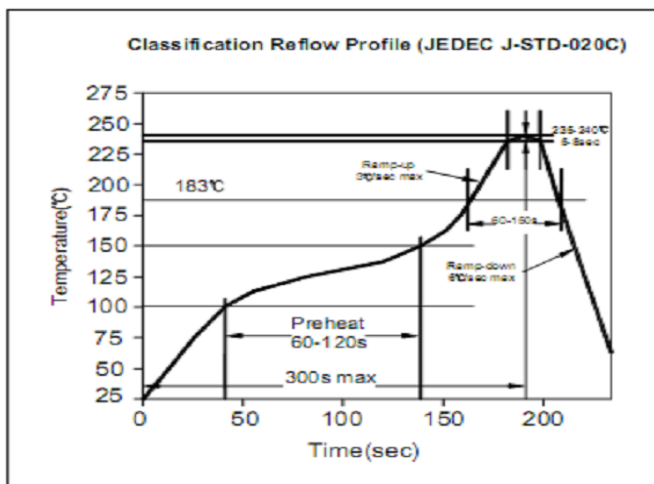
Serie-No. / Voltage / Range / Size	Capacity Tolerance	ROHS	Packing
------------------------------------	--------------------	------	---------

114011-1613301625	M	R	BU
-------------------	---	---	----

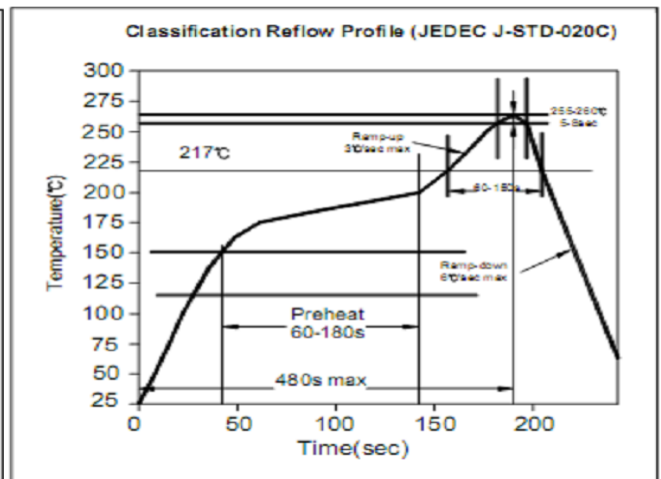
Serie	Voltage (V)	Range μ H)	D * L (mm)	Tolerance Order Code	R= ROHS N= NON ROHS	BU= Bulk-Ware Long Lead T/B= Tape/Box L3= Lead-Length 3~3,5mm
-------	-------------	----------------	------------	----------------------	------------------------	---

Soldering Information

Lead Solder Performance



Lead free Solder Performance



DRW:	Lexua	CHKD	Wilson	MATL:	ChuChu	DATE	19.12.2024
APPD:	Jimmy			FINISH	Josy	Sheet	2 from 2