

# EDCON-COMPONENTS



## Technical Discription

**Standard:** UL248-1 + UL 248-14  
**Operating Temperature:** . -55°C ~ + 125°C  
**Storage Temperature:** . -55°C ~ + 85°C  
**Solderability:** MIL-STD-202, Method 208

## Electrical Characteristics:

**% of Current Rating:**  
 100% 4 hours  
 200% 5 seconds max. (100mA ~15A)  
 20 seconds max. (12A ~15A)

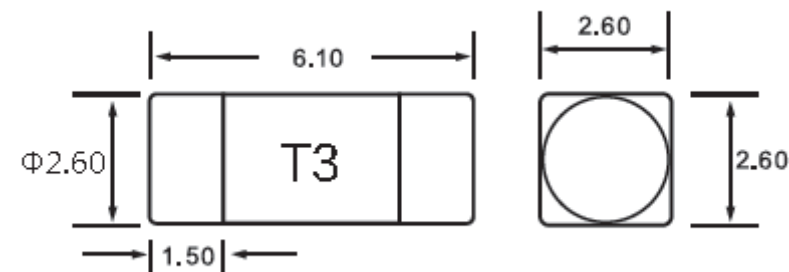
## Interrupting Capacity

50A at 250VAC ( 100mA ~ 10A ) 50A at 125VAC ( 12A ~ 15A )  
 100A at 125V DC/AC ( 100mA ~ 10A ) 100A at 65V DC/AC ( 12A ~ 15A )

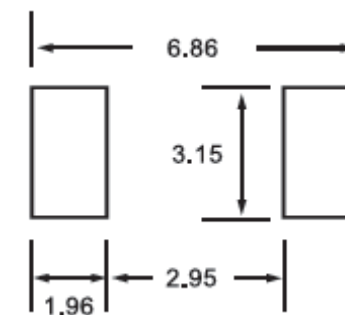
**Range Code:** 1A50

**Range:** 1A50= 1,50A

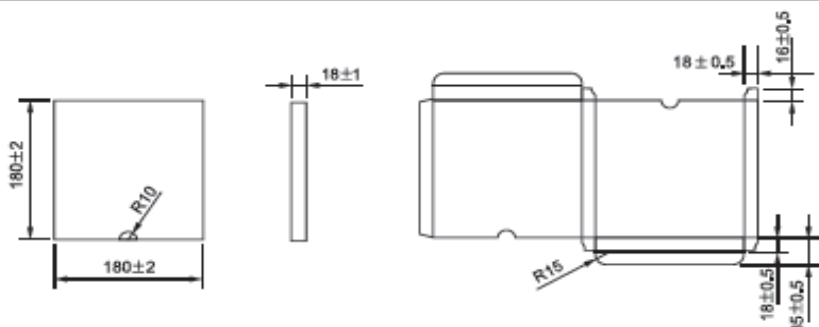
## Drawing (mm)



## PCB Drawing (mm)



## Packing ( Box 1000PCS Tape/Reel)



**SMD NANO Fuse Fast Blow**

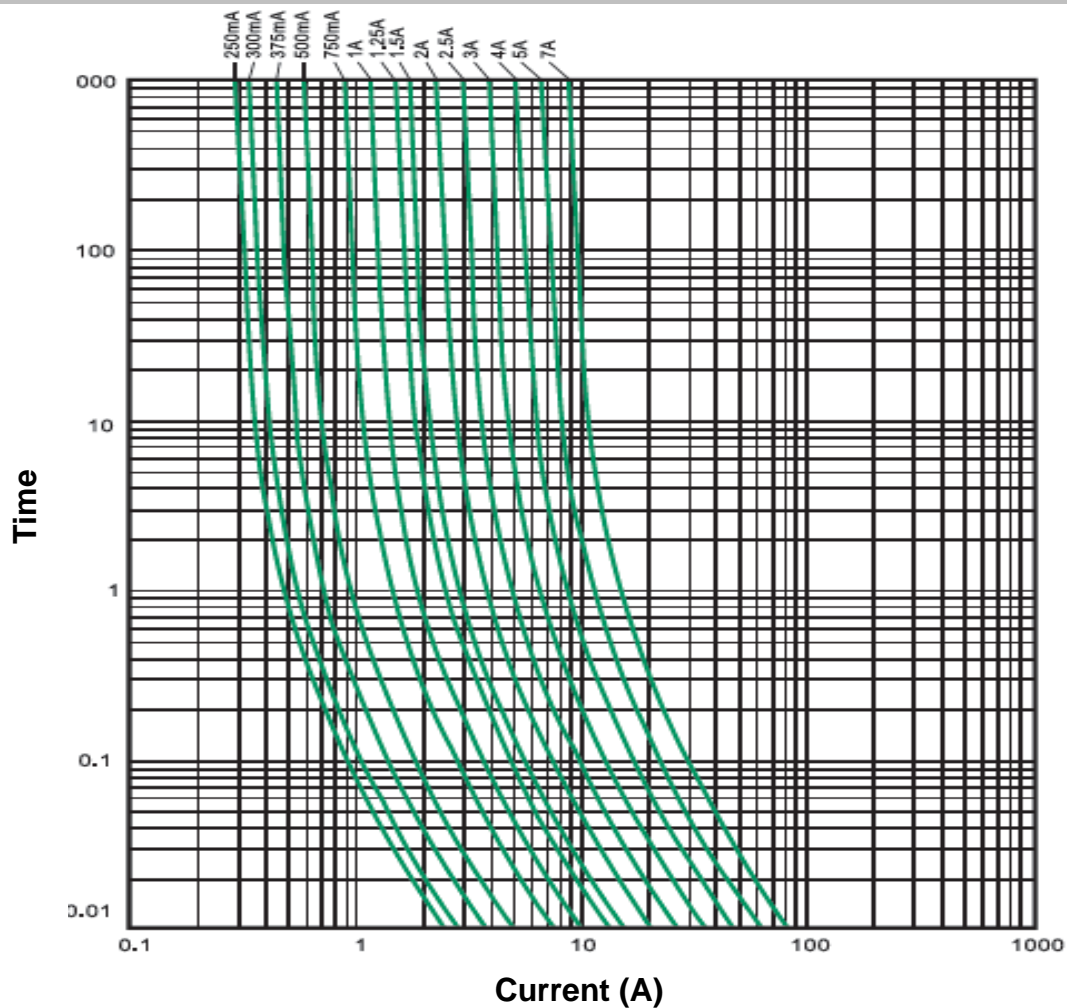
Part No.: R14003

Customer:

DRW:	Jason	CHKD	Wilson	MATL:	Wilson	TOLERANCE	Mason	DATE	11.05.2014
APPD:	Schumi			FINISH	Jamy		Sheet No.		1 from 4



Current Characteristics Curve



<b>SMD NANO Fuse Slow Blow</b>	
Part No.:	<b>R14003</b>
Customer:	

DRW:	Jason	CHKD	Wilson	MATL:	Wilson	TOLERANCE	Mason	DATE	11.05.2014
APPD:	Schumi			FINISH	Jamy		Sheet No.	2 from 4	

# EDCON-COMPONENTS



## Ordering Informations

Serie	Range Code	Voltage	ROHS	Packing						
-------	------------	---------	------	---------	--	--	--	--	--	--

<b>R14003</b>	-	<b>1A50</b>	<b>A</b>	<b>R</b>	<b>TR</b>					
---------------	---	-------------	----------	----------	-----------	--	--	--	--	--

<b>1A50= 1,50A</b>	<b>A= 250VAC</b> (100mA~ 10A)	<b>R= ROHS</b> Conform	<b>BU= Bulk-</b> Ware 1000PCS
	<b>B= 125VAC</b> (100mA ~ 15A)		
	<b>C= 65VAC</b> (10A ~15A)		
			<b>TR= Tape</b> Reel 1000PCS standard

**SMD NANO Fuse Fast Blow**

Part No.: **R14003**

DRW:	Jason	CHKD	Wilson	MATL:	Wilson	TOLERANCE	Mason	DATE	11.05.2014
APPD:	Schumi			FINISH	Jamy		Sheet No.		3 from 4

Customer:



Soldering Profile Curve

Classification Reflow Profile (JEDEC J-STD-020C)



**SMD NANO Fuse Fast Blow**

Part No.: **R14003**

DRW:	Jason	CHKD	Wilson	MATL:	Wilson	TOLERANCE	Mason	DATE	11.05.2014
APPD:	Schumi			FINISH	Jamy		Sheet No.	4 from 4	Customer: