



### Technical Discription of cable assembly / Ordering Information

Serie	Customer No.	No of Cable Position	Contruction Type	Length of Cable (L)	Version from Customer	ROHS	Packing			
<b>T99008</b>	<b>1xxxxx</b>	<b>10</b>	<b>A1</b>	<b>101</b>	<b>V1</b>	<b>R</b>	<b>BU</b>			

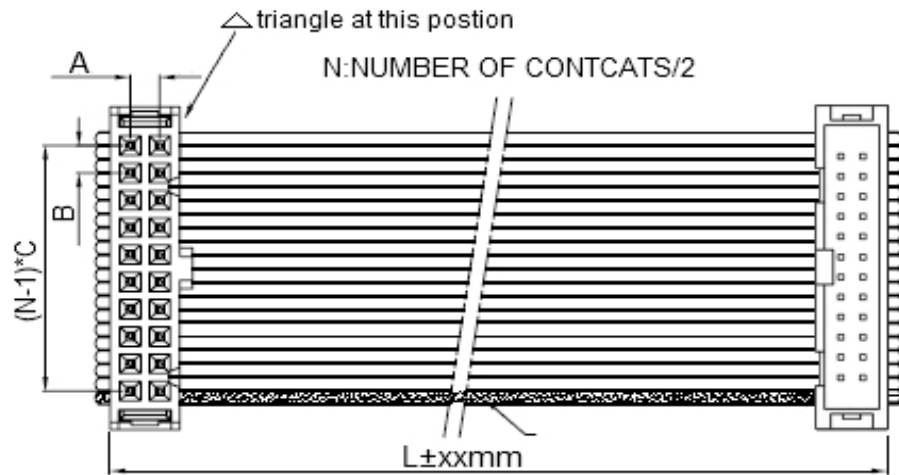
<b>Customer No. by EDCON</b>	<b>10=</b> 10Pos.of te Cable we can Offer 06~64 Pos.	<b>A1</b>	<b>Examble 101=</b> 100mm	<b>V1=</b> is the first Version from Customer specified	<b>R=</b> ROHS Conform <b>N=</b> NON ROHS Conform	<b>BU=</b> Bulk-Ware into Polybag <b>IN=</b> Customer specified	
		<b>B1</b>	<b>Examble 251=</b> 250mm				
		<b>A2</b>	The length can specified by yourself				
		<b>B2</b>					
		<b>A3</b>					
		<b>B3</b>					
		<b>A4</b>					
		<b>B4</b>					
		<b>A5</b>	<b>A7</b>				
		<b>B5</b>	<b>B7</b>				
<b>A6</b>	<b>A8</b>						
<b>B6</b>	<b>B8</b>						

<b>Customer</b>	<b>150422</b>		
<b>Date of Drawing</b>	<b>23.11.2010</b>		

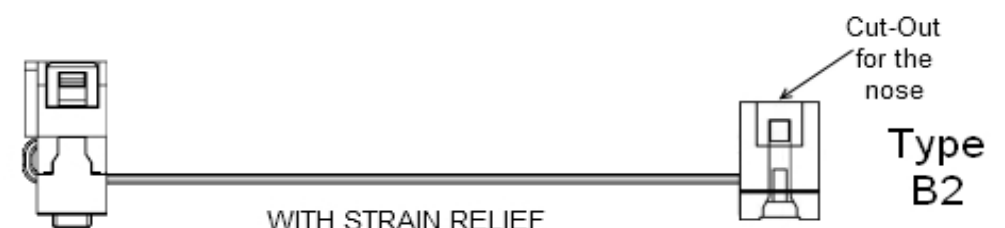
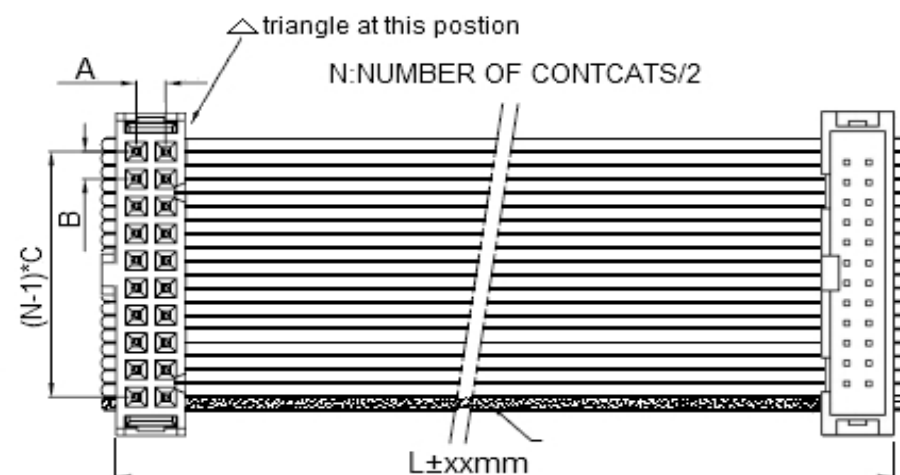


Technical Drawing

Typ A1 or B1



Typ A2 or B2

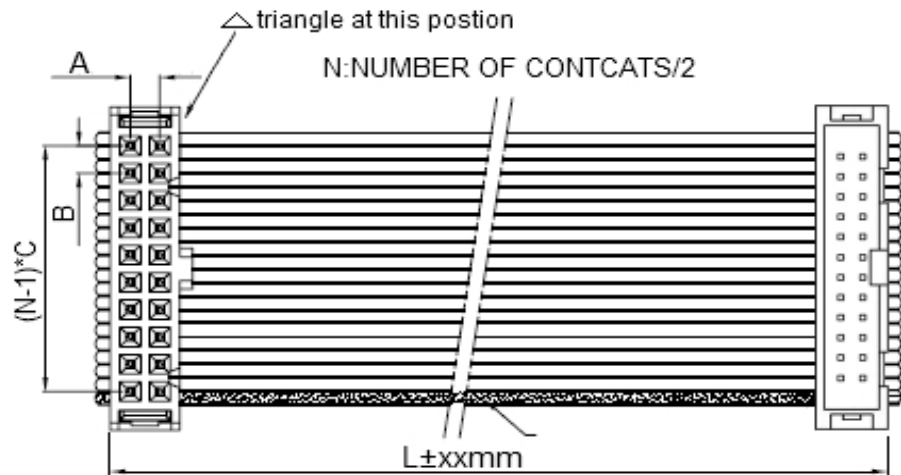


Customer	150422		
Date of Drawing	23.11.2010		

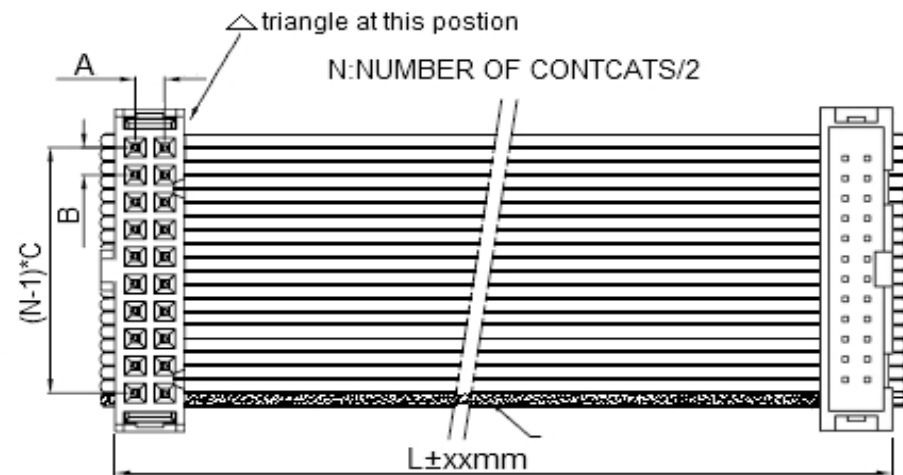


**Technical Drawing**

**Typ A3 or B3**



**Typ A4 or B4**

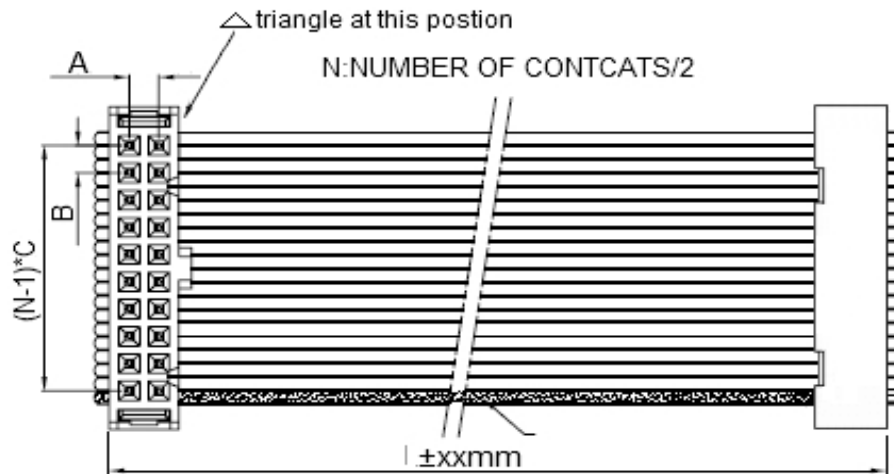


Customer	150422		
Date of Drawing	23.11.2010		

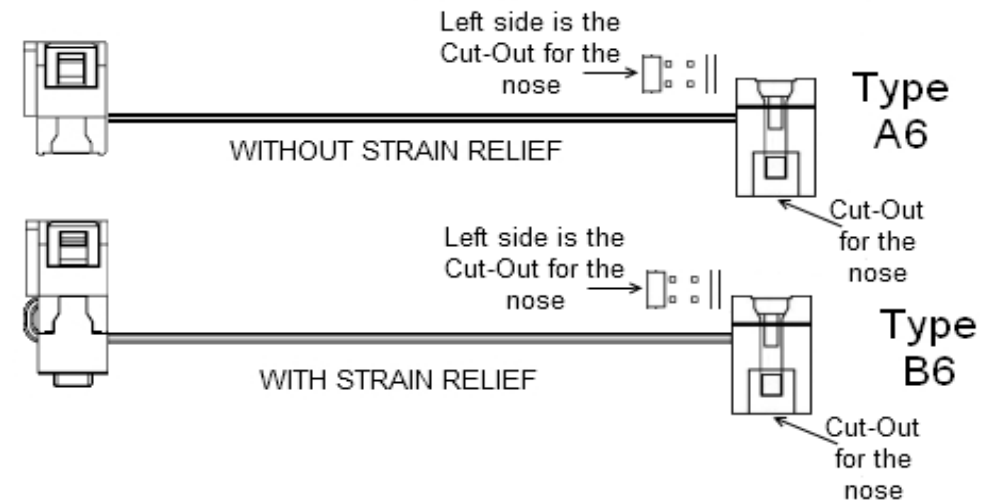
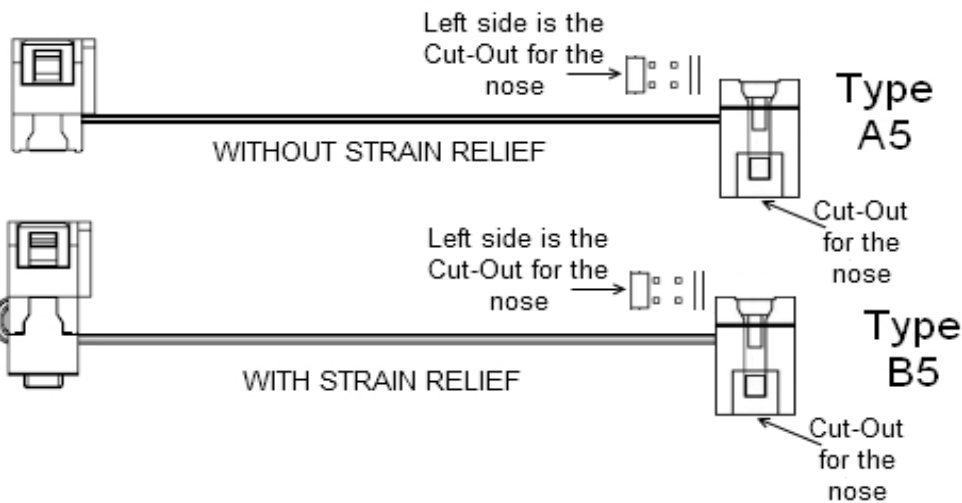
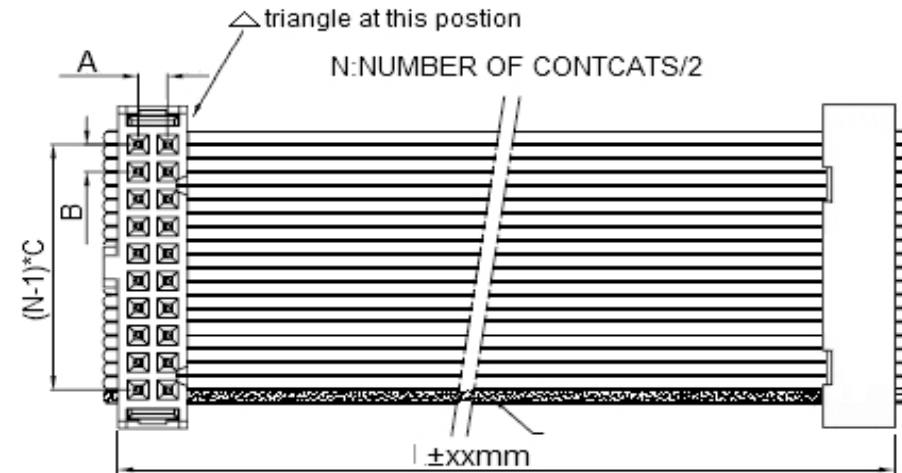


**Technical Drawing**

**Typ A5 or B5**



**Typ A6 or B6**

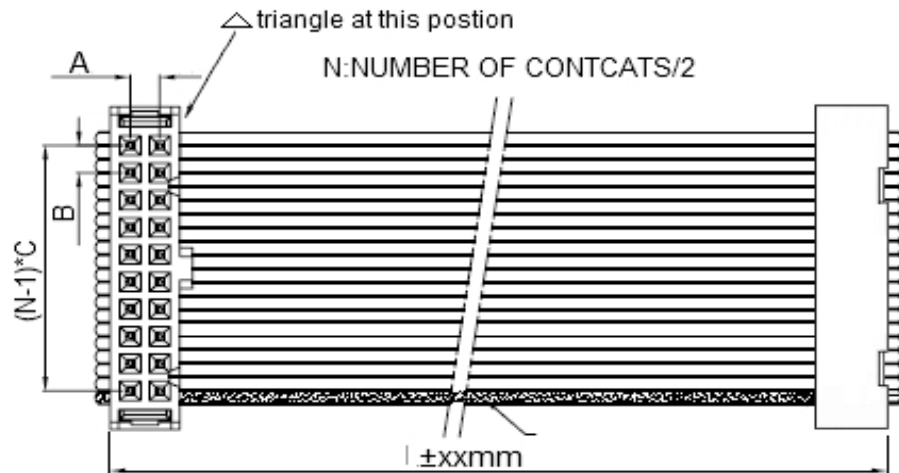


Customer	150422		
Date of Drawing	23.11.2010		

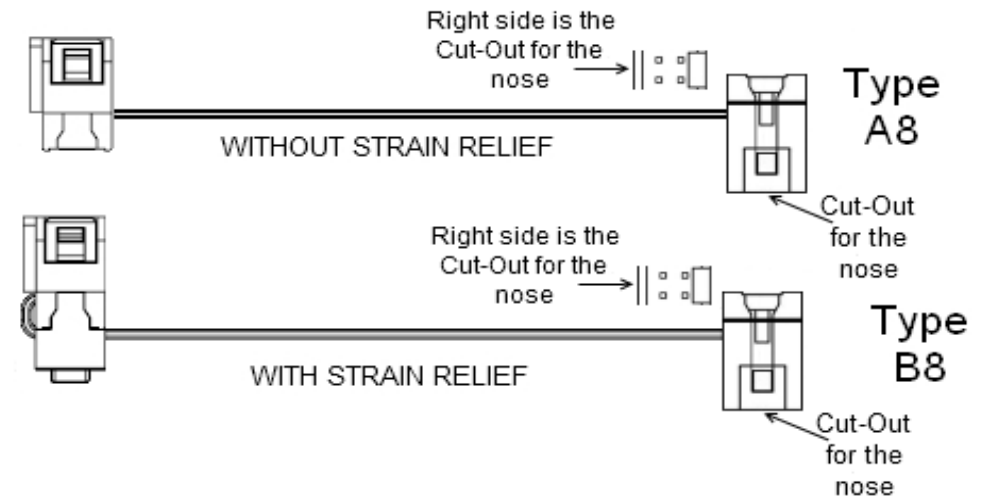
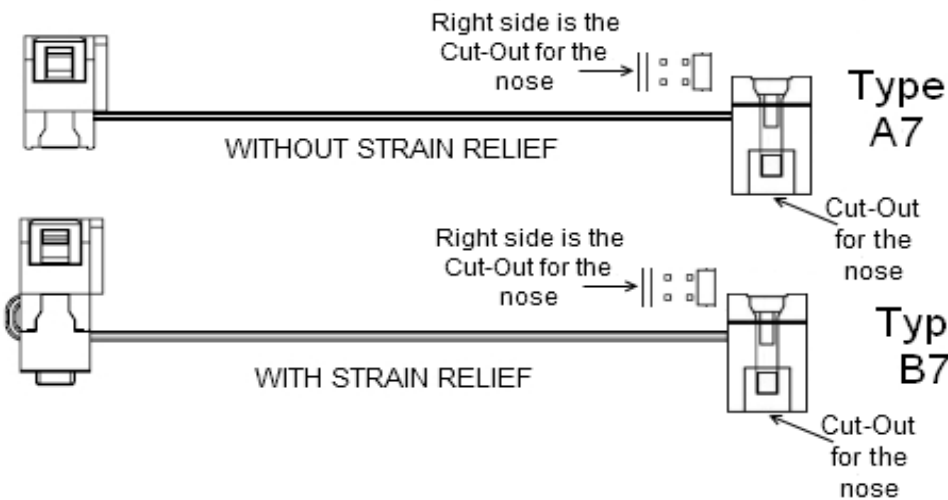
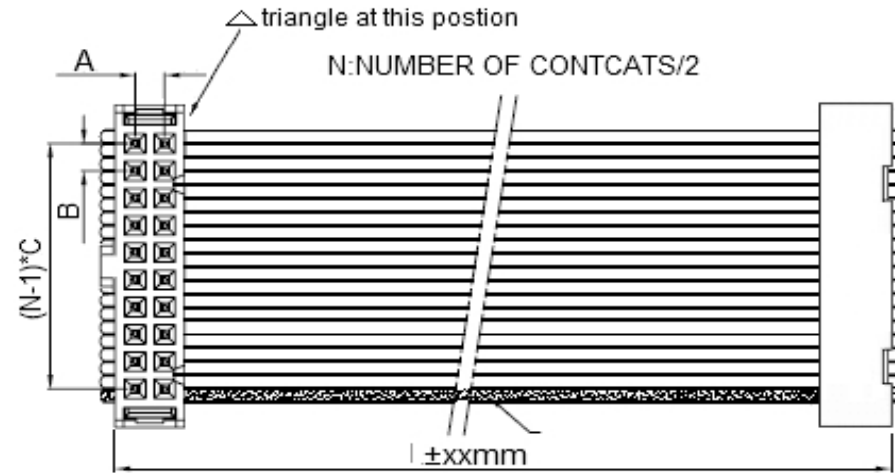


Technical Drawing

Typ A7 or B7



Typ A8 or B8



Customer	150422		
Date of Drawing	23.11.2010		