

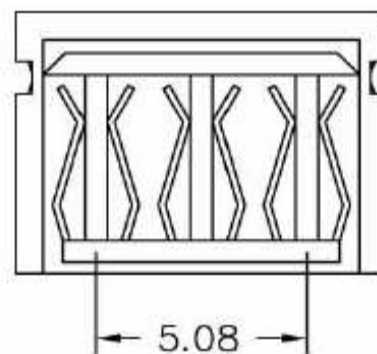
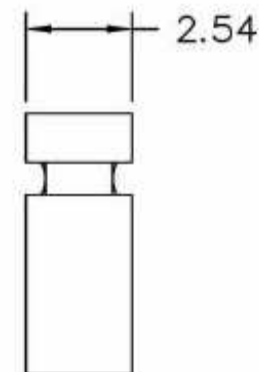
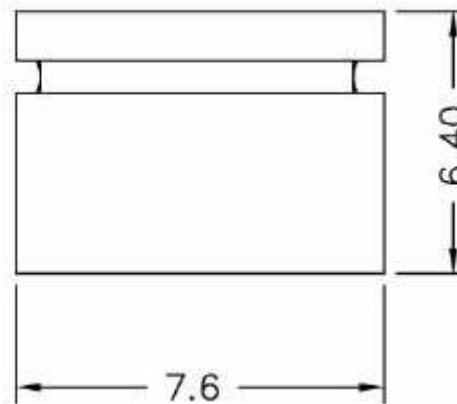
EDCON-COMPONENTS



Specifications

| | |
|------------------------|------------------------|
| Current Rating: | 1,0A |
| Insulation Resistance: | 5000M Ohm min. |
| Contact Resistance: | 20milli Ohm max. |
| Dielectric Voltage: | 500V AC for one minute |
| Operating Temperature: | . -55°C ~ to +105°C |
| Insulator Material: | PBT+30% G.F.(UL94V-0) |
| Contact Pin: | Brass |
| Contact Plating: | Gold or Sn over Ni. |

Drawing



Jumper Pitch 5,08mm

Part No.: **T37D001**

Customer:

| | | | | | | | | | |
|-------|--------|------|--------|--------|--------|-----------|-----------|----------|------------|
| DRW: | Jason | CHKD | Wilson | MATL: | Wilson | TOLERANCE | Mason | DATE | 28.09.2011 |
| APPD: | Schumi | | | FINISH | Jamy | | Sheet No. | 1 from 4 | |

EDCON-COMPONENTS



Ordering Informations

| Serie | No. of Pos. | Contact Plating | Material | Color of Body | ROHS | Packing | | | | |
|----------------|-------------|-----------------|-----------|---------------|----------|-----------|--|--|--|--|
| T37D001 | 02 | S0 | PB | BK | R | BU | | | | |

| | | | | |
|---|------------------------------------|-------------------|---------------------------|-----------------------|
| G0 = Gold Flash | PB = PBT +30% GF | BK = Black | N =NO ROHS conform | BU = Bulk Ware |
| T0 = Tin plated | | RD = Red | R =ROHS conform | |
| GA = 3µ Gold Plating | | | | |
| GB = 5µ Gold Plating | | | | |
| GC = 10µ Gold Plating | | | | |
| GD = 30µ Gold Plating | | | | |
| S0 = Selectiv Plating Gold Flash / Tin | | | | |
| SD = Selectiv Tin/ 5µGold | | | | |
| SD = Selectiv Tin/ 10µ Gold Flash | | | | |
| SD = Selectiv Tin/ 20µ Gold | SD = Selectiv Tin/ 30µ Gold | | | |

Jumper Pitch 5,08mm

Part No.: **T37D001**

| | | | | | | | | | |
|-------|--------|------|--------|--------|--------|-----------|-----------|------|------------|
| DRW: | Jason | CHKD | Wilson | MATL: | Wilson | TOLERANCE | Mason | DATE | 28.09.2011 |
| APPD: | Schumi | | | FINISH | Jamy | | Sheet No. | | 3 from 4 |

Customer: