



DATA SHEET

DIN 41617 Connector Male Type

Serie: T22004

DIN 41617 Connector Male Type

Serie No.: **T22004**

Customer:

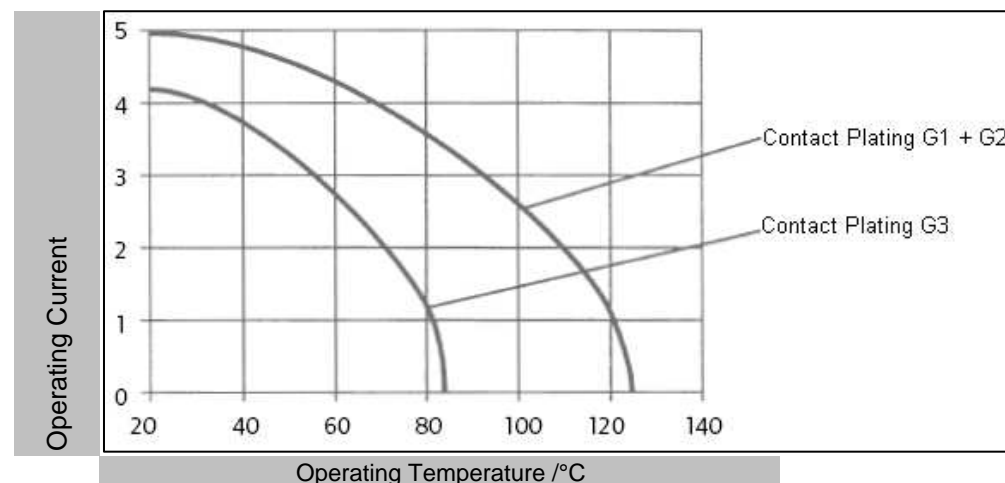
DRW:	Jason	CHKD	Wilson	MATL:	Wilson	TOLERANCE	Mason	DATE	19.02.2012
APPD:	Schumi			FINISH	Jamy		Sheet No.		1 from 5

EDCON-COMPONENTS



Specifications

Material of Body:	Polycarbonat with GF		
Material contacts:	Copper		
	UL94V-1		
Contact Resistance:	≤ 15mΩ		
Contact Isolations-Resistance: G1	≥ 10 ¹² Ω		
Contact Isolations-Resistance: G2	≥ 10 ¹¹ Ω		
Contact Isolations-Resistance: G3	≥ 10 ¹⁰ Ω		
Proof-Voltage: Contact to Masse	900V		
Proof-Voltage: Contact to Contact	1150V		
Withstanding Voltage:	250V		
Operating current +20°C	Contact G1 + G2 = 4A		
Operating current +70°C	Contact G1 + G2 = 4A		
Operating current +100°C	Contact G3 = 2A		
Operating Temperatur: G1	. -65°C to ~ 125°C		
Operating Temperatur: G2	. -55°C to ~ 125°C		
Operating Temperatur: G3	. -25°C to ~ 85°C		
Connecting force in/out (max.)	13Pos. 32N/AU	30N/SI	
	21Pos. 33N/AU	48N/SI	
	31Pos. 48N/AU	70N/SI	
Contact operations G3	50 Operations		
Contact operations G2	400 Operations		
Contact operations G1	500 Operations		
Contact operations Silver	500 Operations		



DIN 41617 Connector Male Type

Part No.: **T22004**

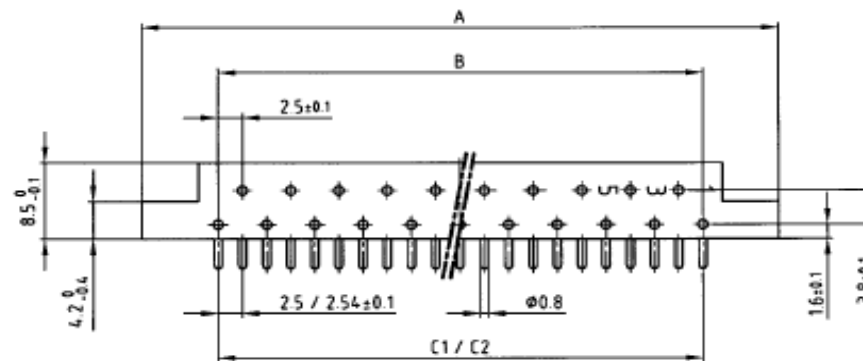
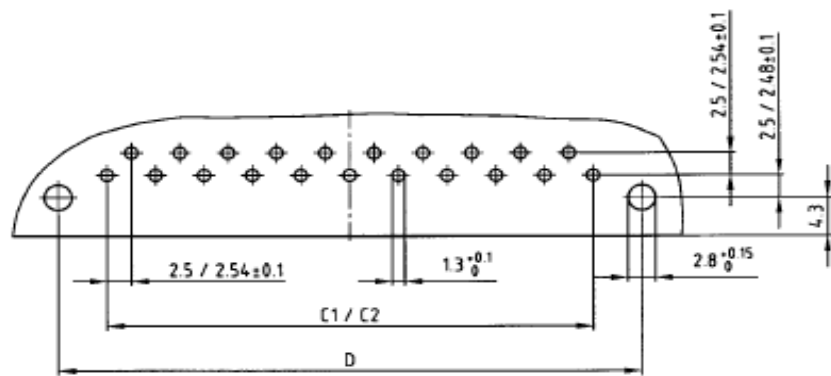
DRW:	Jason	CHKD	Wilson	MATL:	Wilson	TOLERANCE	Mason	DATE	19.02.2012
APPD:	Schumi			FINISH	Jamy		Sheet No.		2 from 5

Customer:

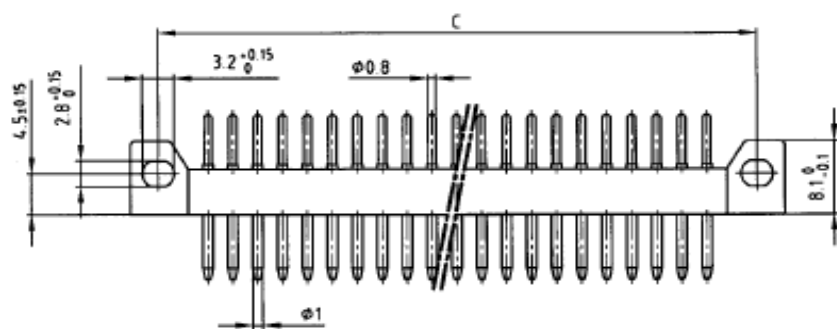
EDCON-COMPONENTS



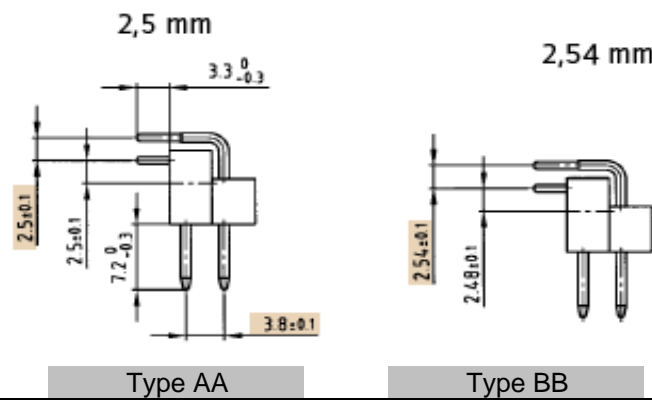
Drawing



PCB Layout



Number of Position	A ±0,2	B ±0,1	C1 ±0,1	C2 ±0,1	D ±0,1
13	45,6	12x2,5=30	12x2,5=30	12x2,54=30,48	40
21	65,6	20x2,5=50	20x2,5=50	20x2,54=50,80	60
31	89,6	30x2,5=75	30x2,5=75	30x2,54=75,20	85



DIN 41617 Connector Male Type

Part No.: **T22004**

Customer:

DRW:	Jason	CHKD	Wilson	MATL:	Wilson	TOLERANCE	Mason	DATE	19.02.2012
APPD:	Schumi			FINISH	Jamy			Sheet No.	3 from 5

www.edcon-components.com

email: info@edcon-components.com

EDCON-COMPONENTS



Ordering Informations

Serie	Number of Position	Contact Plating	Type	ROHS	Packing Code					
-------	--------------------	-----------------	------	------	--------------	--	--	--	--	--

T22004	13	SI	AA	R	BU					
---------------	-----------	-----------	-----------	----------	-----------	--	--	--	--	--

13= 13Pos.	SI= Silber (Standard)	AA= Standard type	R= ROHS Conform	BU= Bulk Ware
13, 21, 31 Pos.	G1= Gold Plating 1	BB= Special type	N= NON ROHS Conform	TY= Tray Packing
	G2= Gold Plating 2			
	G3= Gold Plating 3			

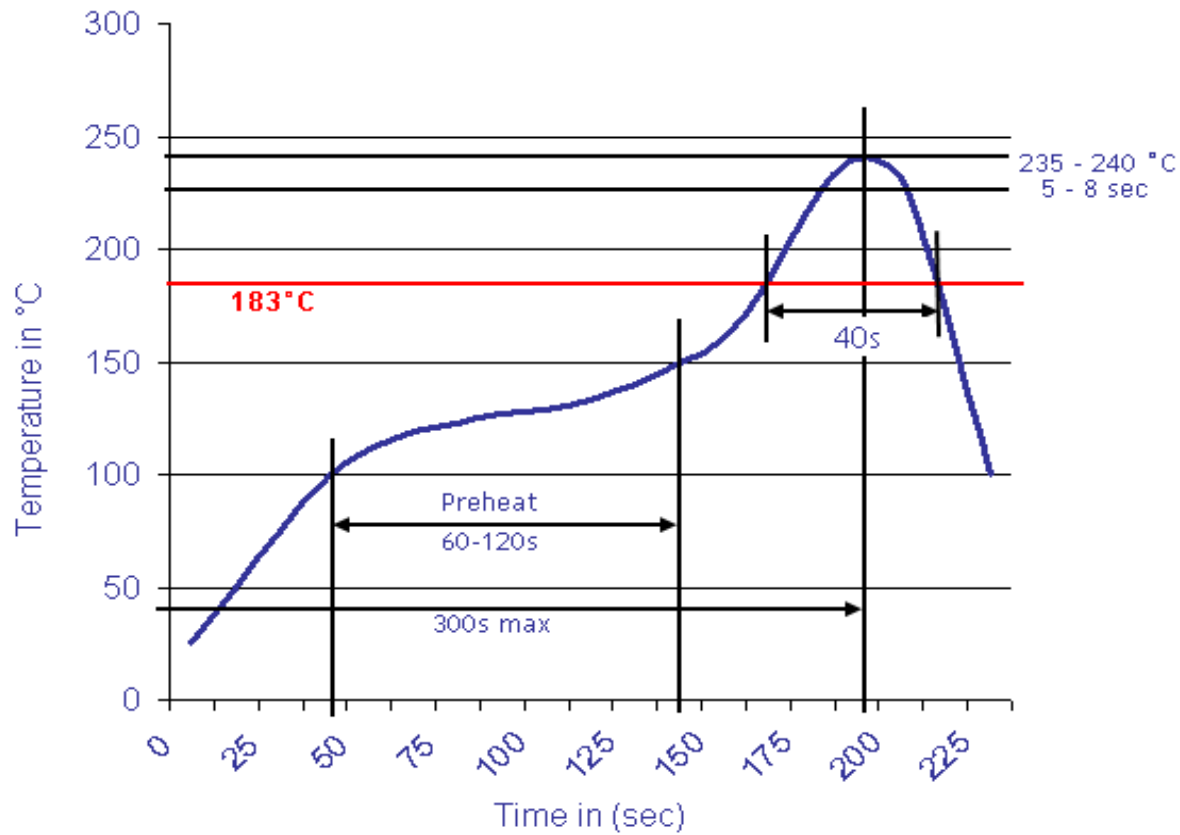
DIN 41617 Connector Male Type	
Part No.:	T22004
Customer:	

DRW:	Jason	CHKD	Wilson	MATL:	Wilson	TOLERANCE	Mason	DATE	19.02.2012
APPD:	Schumi			FINISH	Jamy		Sheet No.		4 from 5



Soldering Profile Curve

Classification Reflow Profile (JEDEC J-STD-020C)



**DIN 41617 Connector Male
Type**

Part No.: **T22004**

Customer:

DRW:	Jason	CHKD	Wilson	MATL:	Wilson	TOLERANCE	Mason	DATE	19.02.2012
APPD:	Schumi			FINISH	Jamy		Sheet No.	5 from 5	

