

EDCON-COMPONENTS



Technical Discription

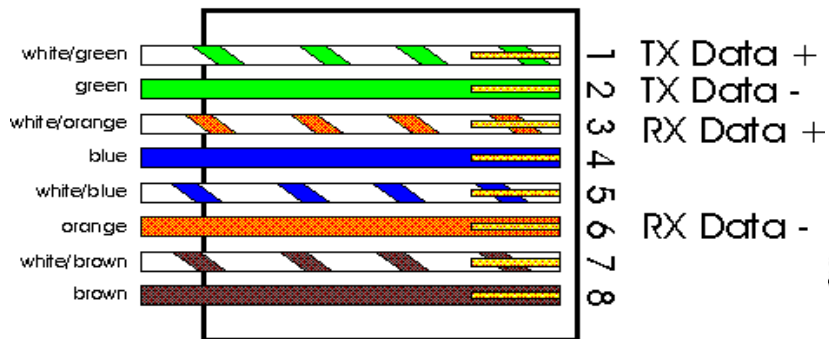
Position Connector 8P/8C
 Contact Plating Gold flash overall

Drawing

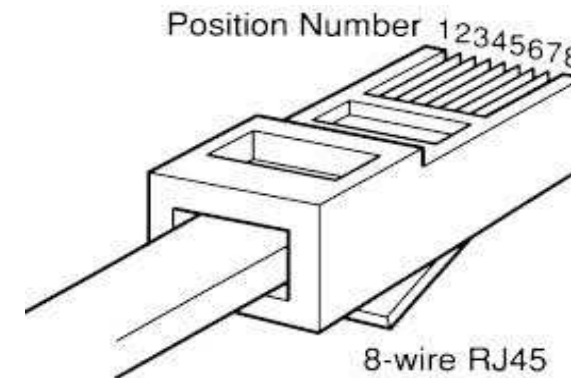
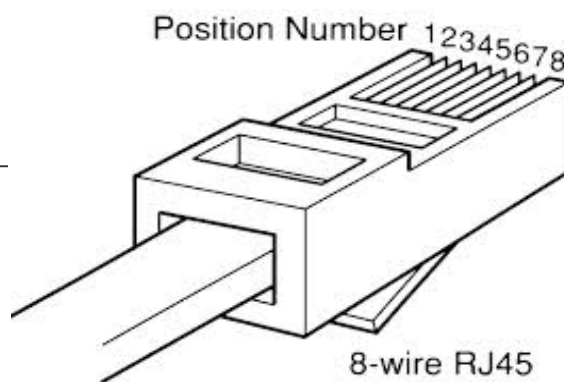
(Order code Cable length) Total length of cable included Connector

Color Range of Conductor

T568A
 Specification
 for
 Category 5
 10BaseT
 RJ-45
 connectors



Hook
 is
 underneath



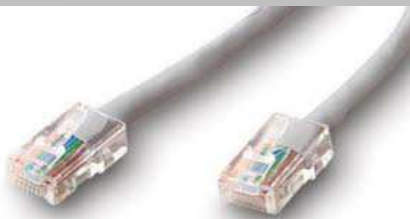
Patchcable Type 1

Part No.:

Customer:

DRW:	Jason	CHKD	Wilson	MATL:	Wilson	TOLERANCE	Mason	DATE	14.08.2014
APPD:	Schumi			FINISH	Jamy		Sheet No.		1 from 2

EDCON-COMPONENTS



Ordering Informations

Serie	No. Of Conductor	Cable Color	Cable length	Special funktion	Special funktion	ROHS	Packing
TA24001	8	LG	101	SH	xx	R	BU

8= Conductor	LG= Light gray	Example 101= 100mm / 102 = 1000mm / 252 = 2520mm	SH= Shielded version	XX= No special funktion	R= ROHS Conform	BU= Bulk Ware
	DG= Dark gray		UH= Unshielded version		N= NON ROHS Conform	IV= Individual Packing
	BK= Black					
	YE= Yellow					
	RD= Red					
	BL= Blue					
	GN= Green					
	WH= White					

Patchcable Type 1

Part No.: **TA24001**

DRW:	Jason	CHKD	Wilson	MATL:	Wilson	TOLERANCE	Mason	DATE	14.08.2014	Customer:
APPD:	Schumi			FINISH	Jamy			Sheet No.	2 from 2	