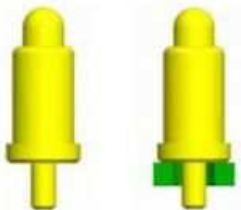


EDCON-COMPONENTS

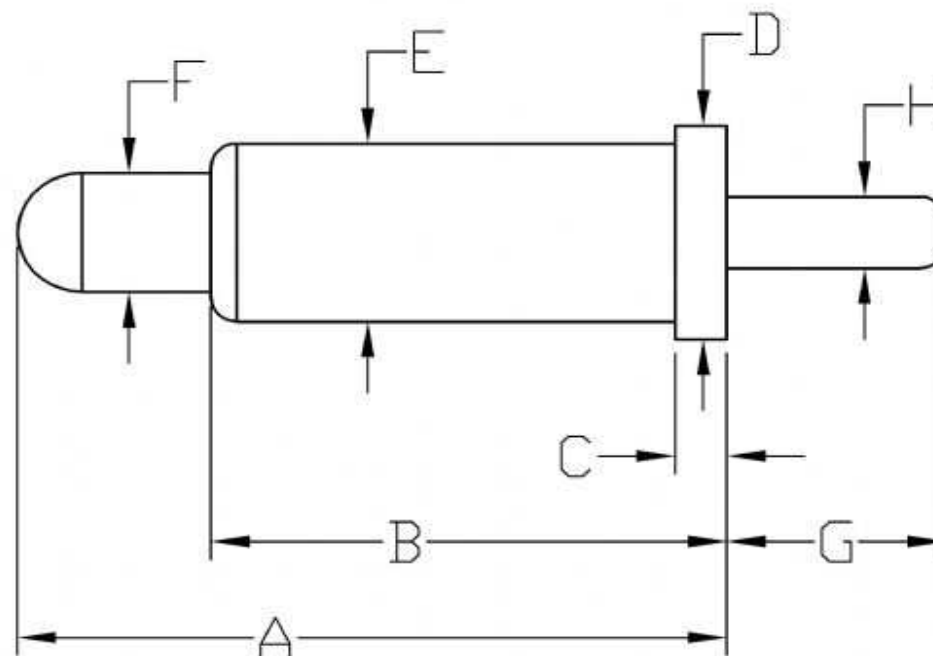


Technical Discription

Drawing

Material:

Plunger: Brass C3604 Au 20 μ over Ni
Barrel: Brass C3604 Au 20 μ over Ni
Spring: SUS 304 Au over Ni
Mechanical:
Spring force: look table
Working stroke: look table
Life Test: 10.000~ 100.000 cycles
Electrial:
Rated Current & Voltage DC 12V ; 1A ~ 5A max.
Contact Resistance: 30milliohm max.

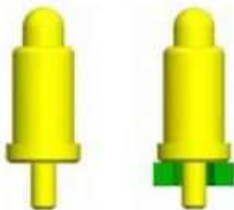


THT POGO PIN CONNECTOR
Pitch 2,54mm

Part No.: **TA23A201**

| | | | | | | | | | |
|-------|--------|------|--------|--------|--------|-----------|-----------|----------|------------|
| DRW: | Jason | CHKD | Wilson | MATL: | Wilson | TOLERANCE | Mason | DATE | 12.04.2014 |
| APPD: | Schumi | | | FINISH | Jamy | | Sheet No. | 1 from 4 | Customer: |

EDCON-COMPONENTS

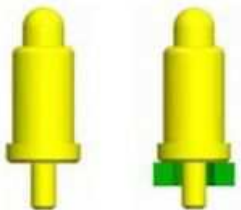


| Order Code | A | B | C | D | E | F | G | H | working stroke | Spring force (gr) |
|------------|-------|-------|------|------|------|------|------|------|----------------|-------------------|
| A01 | 11,00 | 7,40 | 0,50 | 2,00 | 1,51 | 1,00 | 1,25 | 0,50 | 2,00 | 120 |
| A02 | 42,40 | 34,80 | -- | -- | 6,00 | 3,50 | 7,60 | 3,50 | 5,50 | 200 |
| A03 | 6,30 | 3,20 | 0,70 | 4,00 | 2,95 | 1,20 | 3,50 | 2,00 | 3,10 | 150 |
| A04 | 3,70 | 2,10 | 0,90 | 3,90 | 2,50 | 2,00 | 1,10 | 2,50 | 1,00 | 200 |
| A05 | 7,35 | 5,55 | 2,85 | 1,54 | 1,30 | 0,85 | 1,50 | 0,70 | 0,80 | 80 |
| A06 | 13,21 | 9,65 | -- | -- | 2,67 | 2,11 | 2,29 | 0,64 | 1,20 | 120 |
| A07 | 2,40 | 1,50 | -- | -- | 1,48 | 1,00 | 1,00 | 0,78 | 0,20 | 60 |
| A08 | 3,50 | 2,50 | 0,50 | 2,00 | 1,52 | 0,90 | 5,00 | 0,90 | 1,00 | 120 |
| A09 | 6,80 | 4,85 | 2,35 | 2,20 | 2,80 | 1,50 | 2,05 | 1,50 | 1,30 | 190 |
| A10 | 7,25 | 4,85 | 2,35 | 2,20 | 2,80 | 1,50 | 2,05 | 1,50 | 1,30 | 190 |
| A11 | 8,60 | 5,60 | 0,50 | 2,00 | 1,51 | 1,00 | 1,30 | 0,50 | 2,00 | 120 |
| A12 | 6,65 | 4,80 | -- | -- | 1,45 | 0,90 | 1,35 | 0,90 | 0,70 | 60 |
| A13 | 6,85 | 4,80 | -- | -- | 1,45 | 0,90 | 1,35 | 0,90 | 0,90 | 70 |
| A14 | 3,70 | 2,40 | 0,40 | 1,80 | 1,51 | 1,00 | 0,80 | 0,70 | 0,60 | 50 |
| A15 | 3,55 | 2,65 | 0,60 | 1,90 | 1,50 | 0,90 | 1,20 | 1,00 | 0,60 | 90 |
| | | | | | | | | | | |
| | | | | | | | | | | |
| | | | | | | | | | | |
| | | | | | | | | | | |
| | | | | | | | | | | |
| | | | | | | | | | | |
| | | | | | | | | | | |
| | | | | | | | | | | |

| | |
|-------------------------------|-----------------|
| THT POGO PIN CONNECTOR | |
| Pitch 2,54mm | |
| Part No.: | TA23A201 |
| Customer: | |

| | | | | | | | | | |
|-------|--------|------|--------|--------|--------|-----------|-----------|------|------------|
| DRW: | Jason | CHKD | Wilson | MATL: | Wilson | TOLERANCE | Mason | DATE | 12.04.2014 |
| APPD: | Schumi | | | FINISH | Jamy | | Sheet No. | | 2 from 4 |

EDCON-COMPONENTS



Ordering Informations

| Serie | Order Code | Special | Contact Plating | Special | ROHS | Packing | | | | |
|-------|------------|---------|-----------------|---------|------|---------|--|--|--|--|
|-------|------------|---------|-----------------|---------|------|---------|--|--|--|--|

| | | | | | | | | | | |
|----------|---|-----|---|-----|---|---|----|--|--|--|
| TA23A201 | - | A01 | X | 020 | X | R | BU | | | |
|----------|---|-----|---|-----|---|---|----|--|--|--|

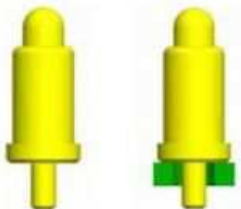
| | | | | | |
|----------------------|---------------|-------------|---------------|---------------------|--------------------------------|
| A01= Size look table | X=no function | 020= 20µ AU | X=no function | R= ROHS Conform | BU= Bulk-Ware TR= Tape Reel |
| | | | | N= NON ROHS Conform | |

THT POGO PIN CONNECTOR
Pitch 2,54mm

Part No.: **TA23A201**

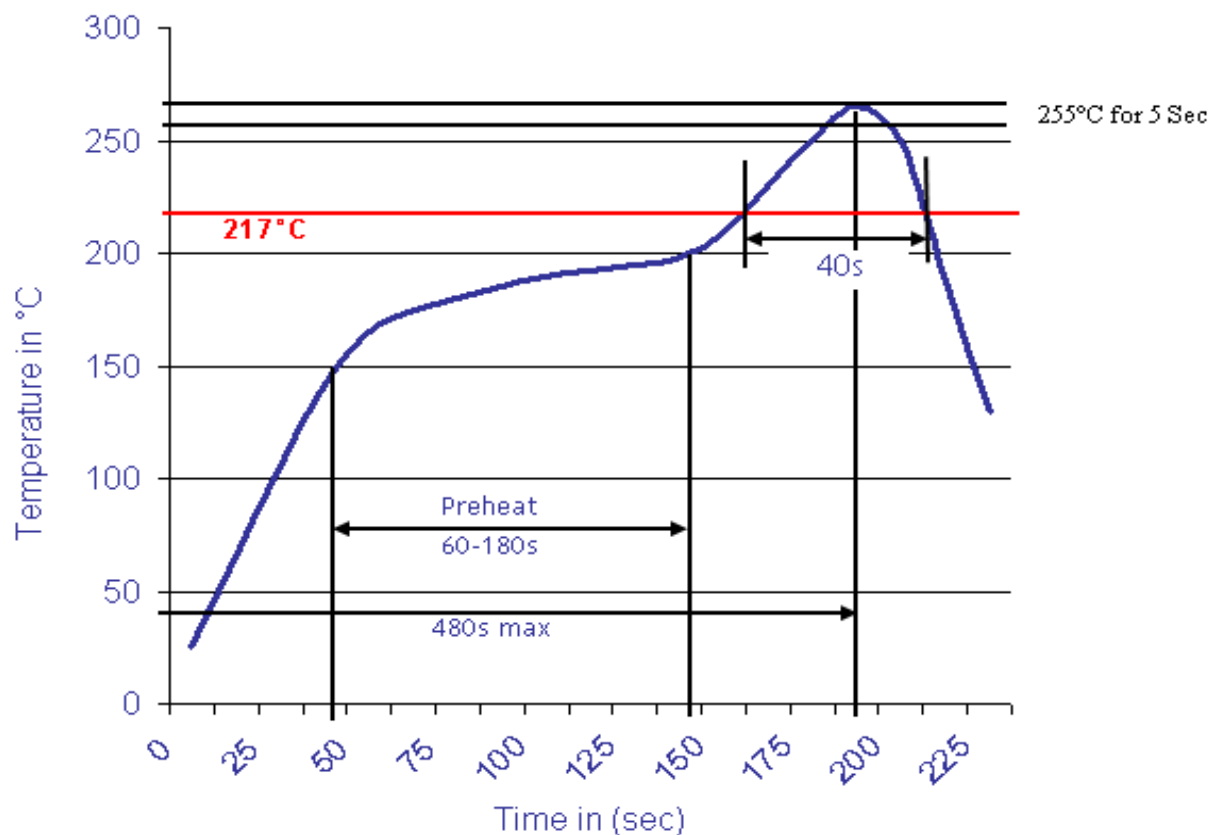
| | | | | | | | | | |
|-------|--------|------|--------|--------|--------|-----------|-----------|------|------------|
| DRW: | Jason | CHKD | Wilson | MATL: | Wilson | TOLERANCE | Mason | DATE | 12.04.2014 |
| APPD: | Schumi | | | FINISH | Jamy | | Sheet No. | | 3 from 4 |

Customer:



Soldering Profile Curve

Classification Reflow Profile (JEDEC J-STD-020C)



| | |
|-------------------------------|-----------------|
| THT POGO PIN CONNECTOR | |
| Pitch 2,54mm | |
| Part No.: | TA23A201 |
| Customer: | |

| | | | | | | | | | |
|-------|--------|------|--------|--------|--------|-----------|-----------|----------|------------|
| DRW: | Jason | CHKD | Wilson | MATL: | Wilson | TOLERANCE | Mason | DATE | 12.04.2014 |
| APPD: | Schumi | | | FINISH | Jamy | | Sheet No. | 4 from 4 | |