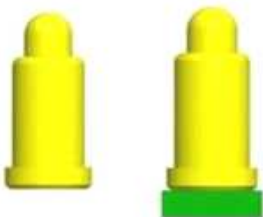


# EDCON-COMPONENTS



## Technical Discription

## Drawing

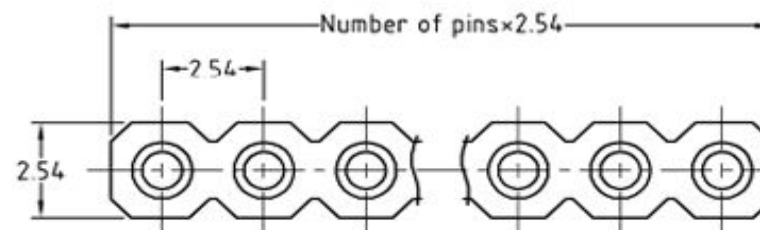
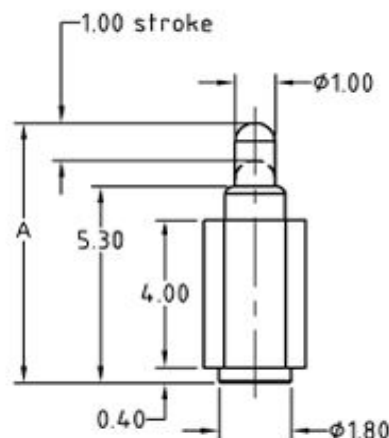
**Material:**  
 Insulator: Black High Temperatur plastics UI94 V-0  
 Plunger: Brass C3604 Au 20μ over Ni  
 Barrel: Brass C3604 Au 20μ over Ni  
 Spring: SUS 304 Au over Ni

**Mechanical:**  
 Spring force: 70g +/- 20gr at 1,0mm working stroke  
 Full stroke: 1,40mm  
 Life Test: 1.000.000 cycles

**Electrial:**  
 Rated Current & Voltage DC 12V ; 5A max.  
 Contact Resistance: 50milliohm max.

**Insulator Height A**

A: 6,5mm  
 B: 7,0mm  
 C: 7,5mm

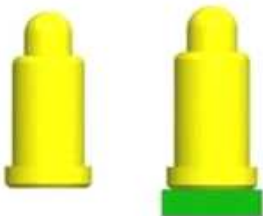


**SMT POGO PIN CONNECTOR**  
**Pitch 2,54mm**

Part No.: **TA23A009**

|       |        |      |        |        |        |           |           |          |            |
|-------|--------|------|--------|--------|--------|-----------|-----------|----------|------------|
| DRW:  | Jason  | CHKD | Wilson | MATL:  | Wilson | TOLERANCE | Mason     | DATE     | 12.04.2014 |
| APPD: | Schumi |      |        | FINISH | Jamy   |           | Sheet No. | 1 from 3 | Customer:  |

# EDCON-COMPONENTS



## Ordering Informations

| Serie | No of Pos. | Body Height | Contact Plating | Special | ROHS | Packing |  |  |  |  |
|-------|------------|-------------|-----------------|---------|------|---------|--|--|--|--|
|-------|------------|-------------|-----------------|---------|------|---------|--|--|--|--|

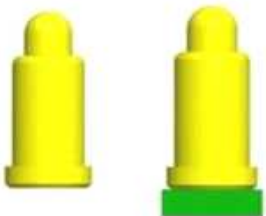
|                 |   |           |          |            |          |          |           |  |  |  |
|-----------------|---|-----------|----------|------------|----------|----------|-----------|--|--|--|
| <b>TA23A009</b> | - | <b>xx</b> | <b>A</b> | <b>020</b> | <b>X</b> | <b>R</b> | <b>BU</b> |  |  |  |
|-----------------|---|-----------|----------|------------|----------|----------|-----------|--|--|--|

|                        |                 |                    |                       |                            |                      |
|------------------------|-----------------|--------------------|-----------------------|----------------------------|----------------------|
| <b>xx=</b> 02 ~ 32Pos. | <b>A=</b> 6,5mm | <b>020=</b> 20µ AU | <b>X=</b> no function | <b>R=</b> ROHS Conform     | <b>BU=</b> Bulk-Ware |
|                        | <b>B=</b> 7,0mm |                    |                       | <b>N=</b> NON ROHS Conform |                      |
|                        | <b>C=</b> 7,5mm |                    |                       | <b>TR=</b> Tape Reel       |                      |

**SMT POGO PIN CONNECTOR**  
Pitch 2,54mm

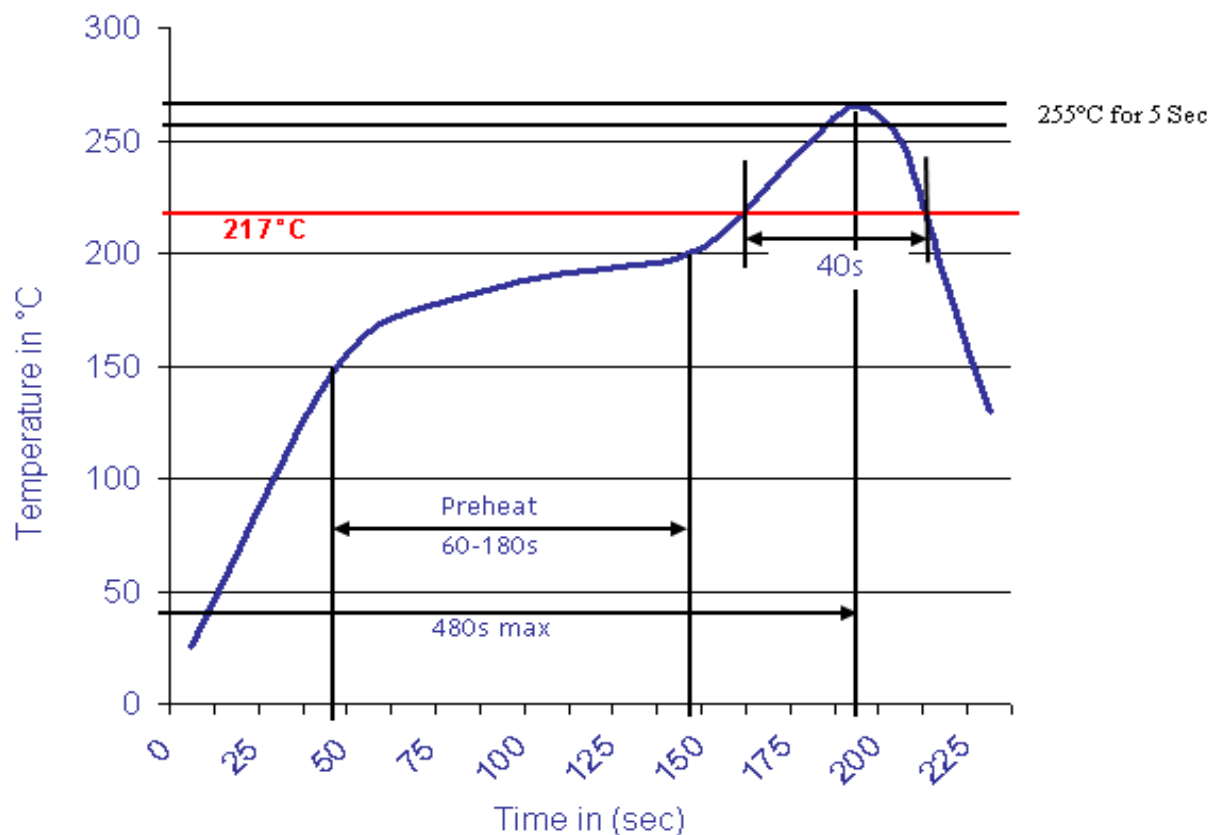
Part No.: **TA23A009**

|       |        |      |        |        |        |           |           |          |            |
|-------|--------|------|--------|--------|--------|-----------|-----------|----------|------------|
| DRW:  | Jason  | CHKD | Wilson | MATL:  | Wilson | TOLERANCE | Mason     | DATE     | 12.04.2014 |
| APPD: | Schumi |      |        | FINISH | Jamy   |           | Sheet No. | 2 from 3 | Customer:  |



Soldering Profile Curve

Classification Reflow Profile (JEDEC J-STD-020C)



|                               |                 |
|-------------------------------|-----------------|
| <b>SMT POGO PIN CONNECTOR</b> |                 |
| Pitch 2,54mm                  |                 |
| Part No.:                     | <b>TA23A009</b> |
| Customer:                     |                 |

|       |        |      |        |        |        |           |           |          |            |
|-------|--------|------|--------|--------|--------|-----------|-----------|----------|------------|
| DRW:  | Jason  | CHKD | Wilson | MATL:  | Wilson | TOLERANCE | Mason     | DATE     | 12.04.2014 |
| APPD: | Schumi |      |        | FINISH | Jamy   |           | Sheet No. | 3 from 3 |            |