

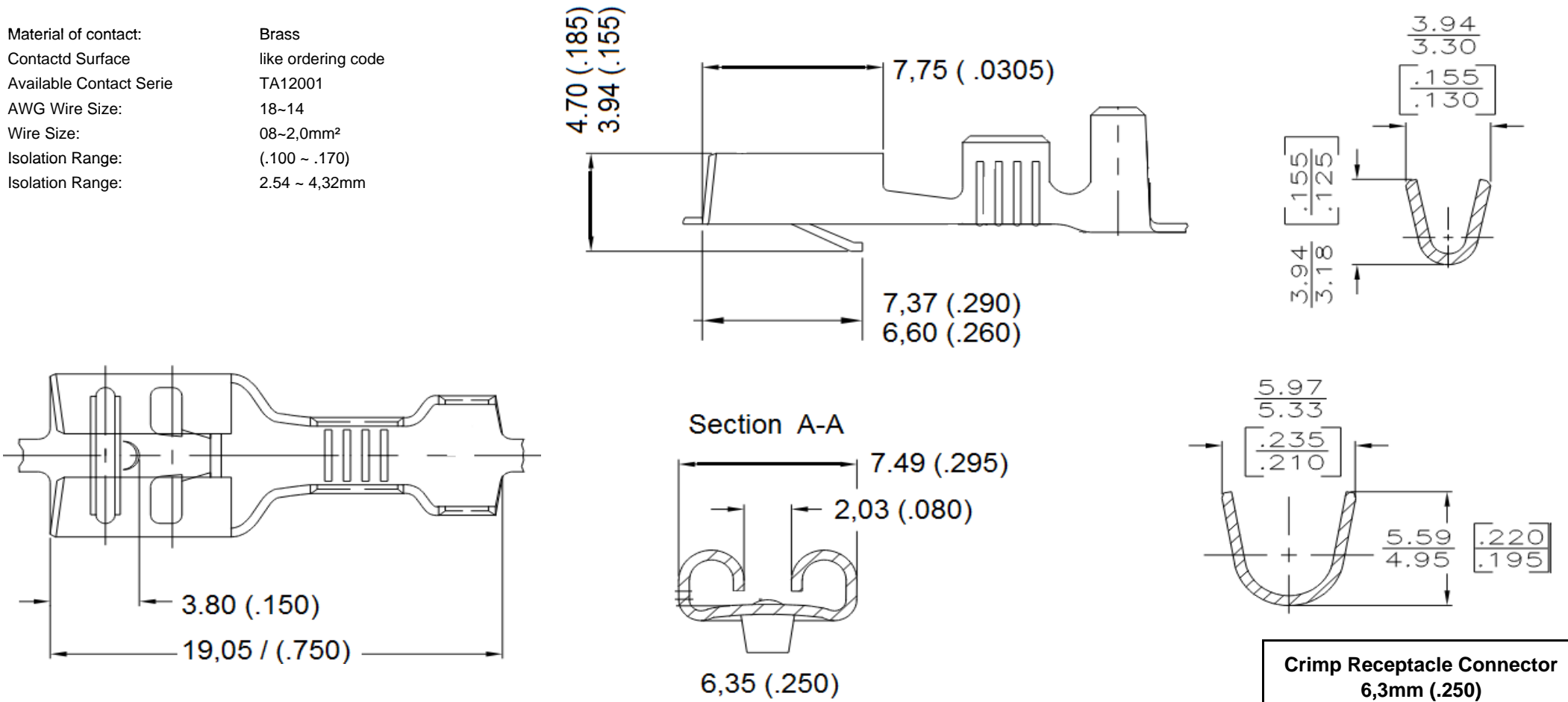
EDCON-COMPONENTS



Description

Material of contact: Brass
 Contactd Surface: like ordering code
 Available Contact Serie: TA12001
 AWG Wire Size: 18~14
 Wire Size: 08~2,0mm²
 Isolation Range: (.100 ~ .170)
 Isolation Range: 2.54 ~ 4,32mm

Dimensions (mm)



Crimp Receptacle Connector	
6,3mm (.250)	
Part No.:	TA12002
Customer:	

DRW:	Jason	CHKD	Wilson	MATL:	Wilson	TOLERANCE	Mason	DATE	11.08.2021
APPD:	Schumi			FINISH	Jamy		Sheet No.		1 from 2

EDCON-COMPONENTS



Ordering Informations

Serie	Terminal Surface	Special Function	Special Function	Special Function	Special Function	ROHS	Packing
TA12002	BR	0	0	0	0	R	TR

BR= Brass	0= No function	0= No function	0= No function	0= No function	R= ROHS Conform	BU= Bulk - Ware into Polybag
TN= Tinned					N= NON ROHS Conform	IV= Individual Packing
						TR= Tape/Reel Packing

Crimp Receptacle Connector 6,3mm (.250)
Part No.: TA12002
Customer:

DRW:	Jason	CHKD	Wilson	MATL:	Wilson	TOLERANCE	Mason	DATE	11.08.2021
APPD:	Schumi			FINISH	Jamy		Sheet No.		2 from 2