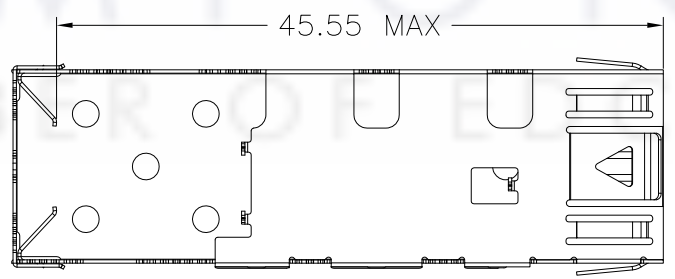
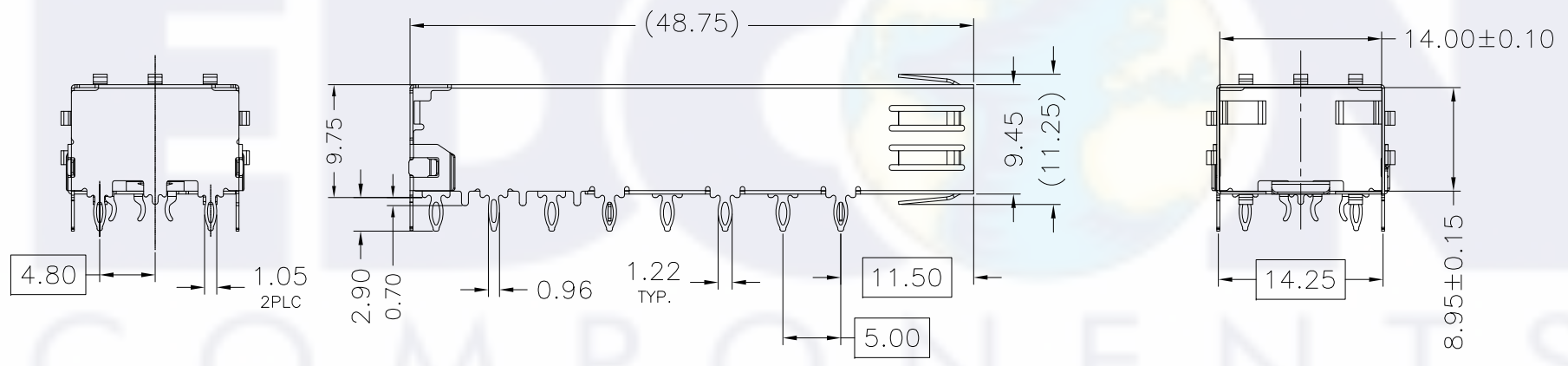
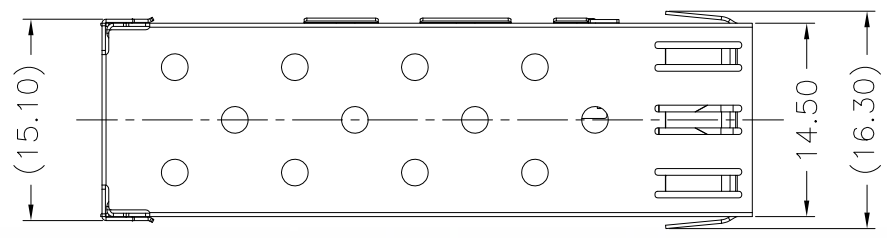
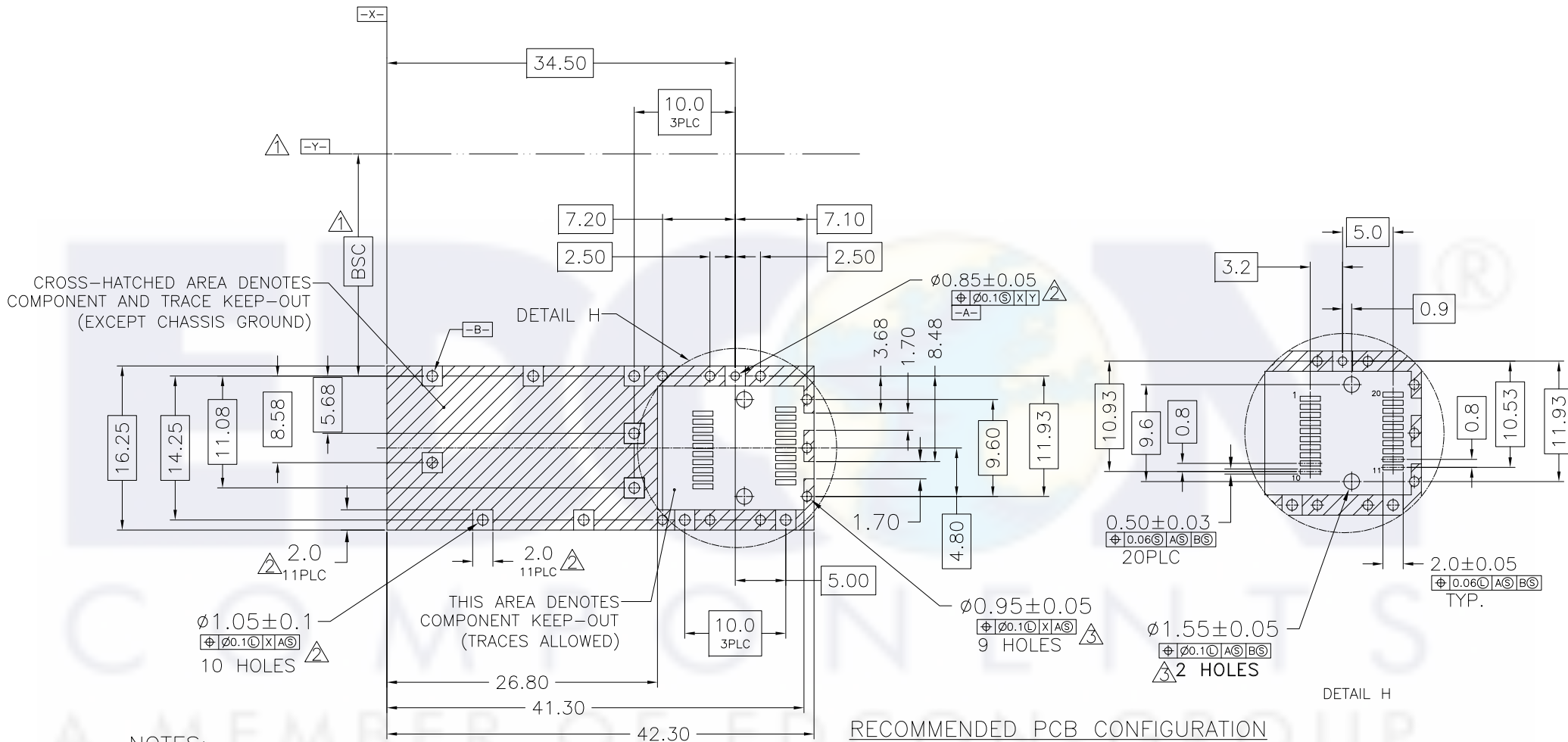


6	7	8
REV	DESCRIPTION OF CHANGE	REVIEWED BY
A	FIRST ISSUE	Nealson
		ISSUE DATE
		2021-08-01



- NOTES:
- 1.MATERIAL: COPPER ALLOY, NI-PLATED
 - 2.PACKAGING: TRAY PACKAGING
 - 3.TEMPERATURE RANGE: -55°C TO +85°C

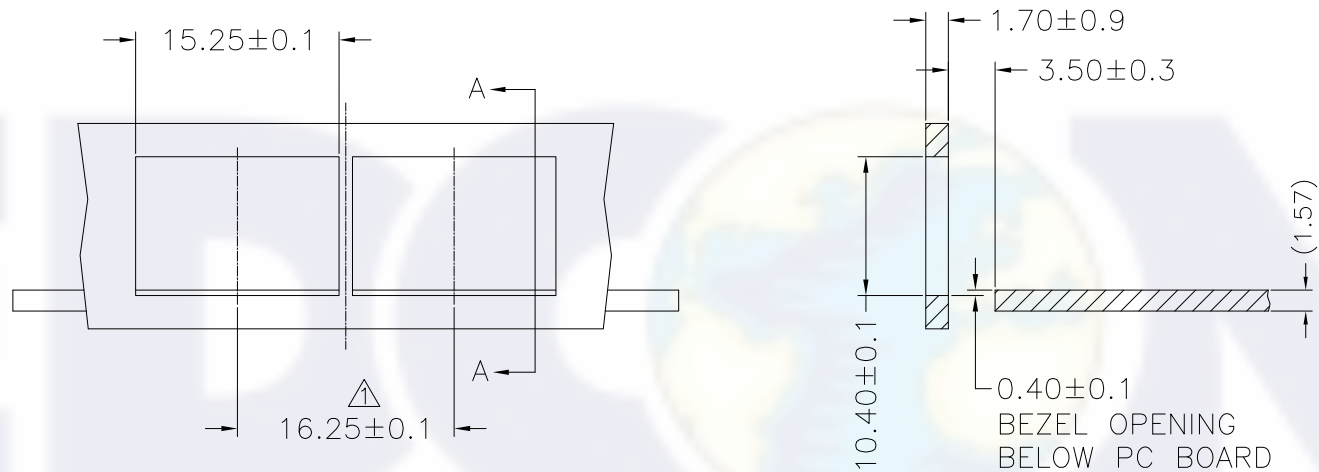
TITLE			SFP 1X1 CAGE				
PART NO.			T98014				
APPROVE		CHECK	DRAW	GENERAL TOLERANCE		UNIT:MM	SIZE: A4
Nealson		Kevin	Kevin	.X±0.20 .XX±0.15 .XXX±0.10		SCALE: 1:1	SHEET:1/3



NOTES:

- 1. DATUM AND BASIC DIMENSIONS ESTABLISHED BY CUSTOMER
- 2. PADS AND VIAS ARE CHASSIS GROUND, 11 PLACES
- 3. THRU HOLES, PLATING OPTIONAL

TITLE			SFP 1X1 CAGE						
PART NO.			T98014		GENERAL TOLERANCE		UNIT:MM		SIZE: A4
APPROVE	CHECK	DRAW	.X±0.20	.X±1'	SCALE: 1:1		SHEET:2/3		REV:A
Nealson	Kevin	Kevin	.XX±0.15	.XX±5'					
			.XXX±0.10						



SECTION A-A

RECOMMENDED BEZEL DESIGN

NOTES:
 ▲ MINIMUM PITCH ILLUSTRATED, ENGLISH DIMENSIONS ARE FOR REFERENCE ONLY

TITLE			SFP 1X1 CAGE						
PART NO.			T98014			GENERAL TOLERANCE		UNIT:MM	SIZE: A4
APPROVE	CHECK	DRAW	.X±0.20	.X±1°	SCALE: 1:1	SHEET:3/3	REV:A		
Nealson	Kevin	Kevin	.XX±0.15	.XX±5°					
			.XXX±0.10						