



DATA SHEET

SFP Connector Cage Press-Fit

Serie: T98003

Metal Case

**SFP Connector Cage
Press-Fit**

Serie No.: **T98003**

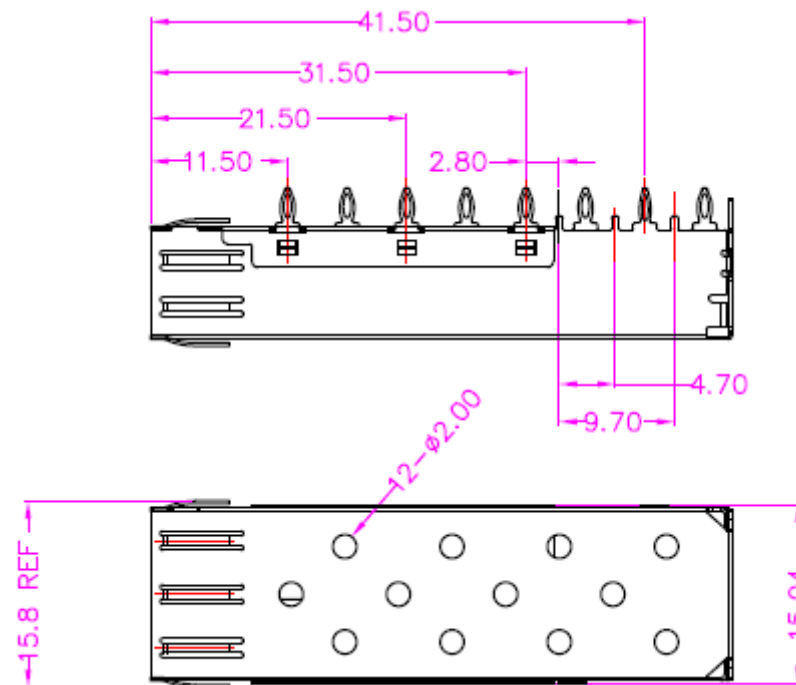
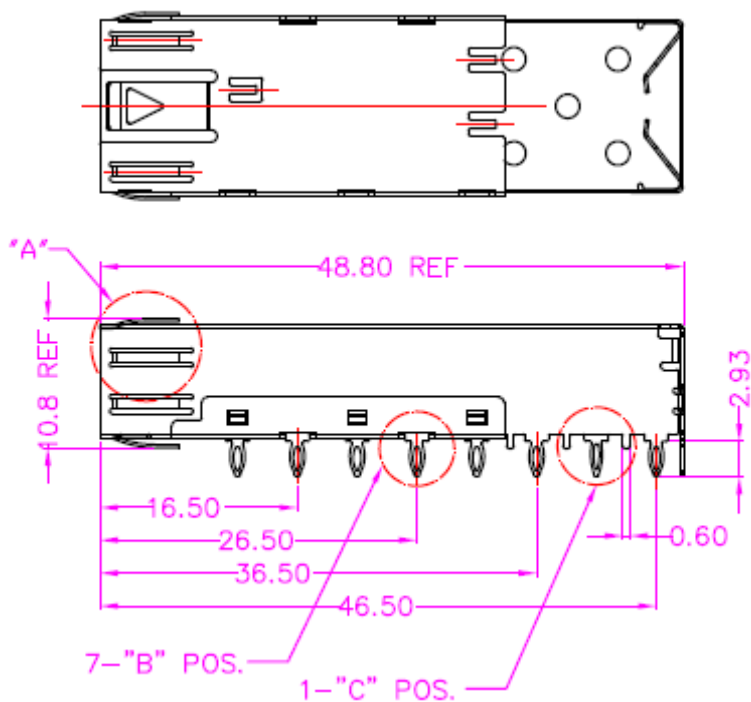
Customer:

DRW:	Jason	CHKD	Wilson	MATL:	Wilson	TOLERANCE	Mason	DATE	21.12.2012
APPD:	Schumi			FINISH	Jamy		Sheet No.		1 from 6

EDCON-COMPONENTS



Drawing



**SFP Connector Cage
Press-Fit**

Part No.: **T98003**

Customer:

DRW:	Jason	CHKD	Wilson	MATL:	Wilson	TOLERANCE	Mason	DATE	21.12.2012
APPD:	Schumi			FINISH	Jamy		Sheet No.	2 from 6	

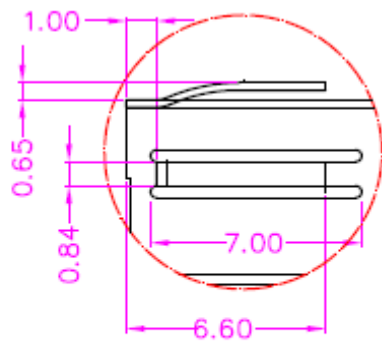
www.edcon-components.com

email: info@edcon-components.com

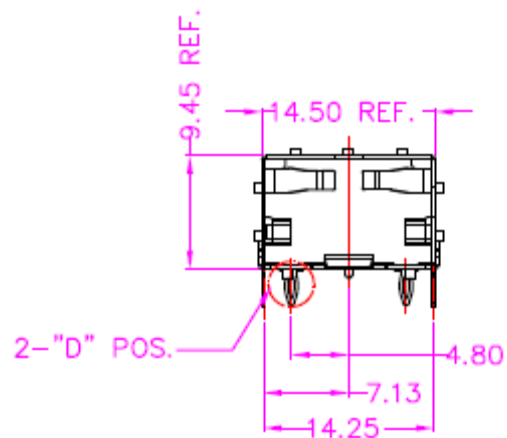
EDCON-COMPONENTS



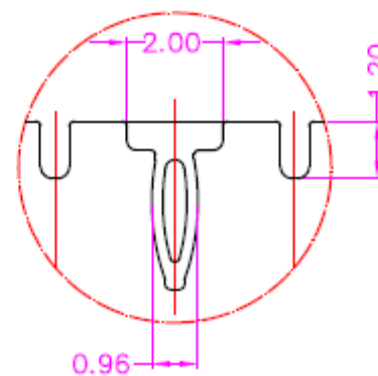
Drawing



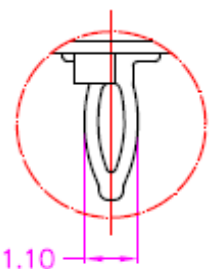
DETAIL: A
SCALE: 2.5:1



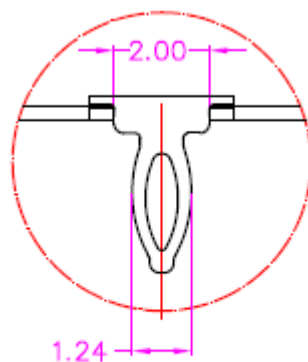
DETAIL: B
SCALE: 4:1



DETAIL: C
SCALE: 4:1



DETAIL: D
SCALE: 4:1



**SFP Connector Cage
Press-Fit**

Part No.: **T98003**

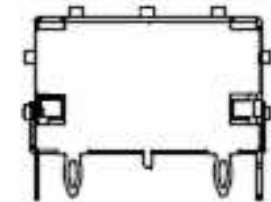
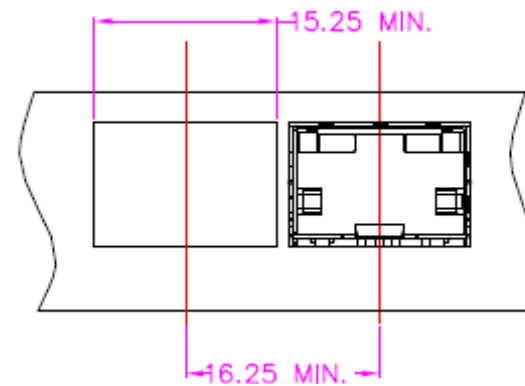
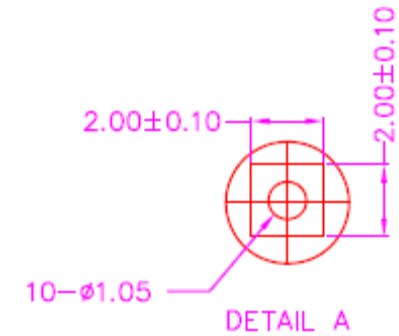
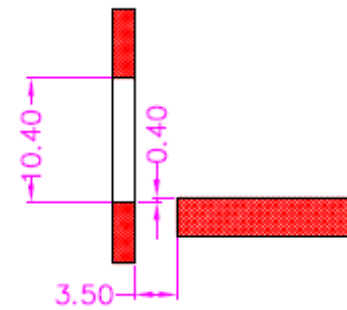
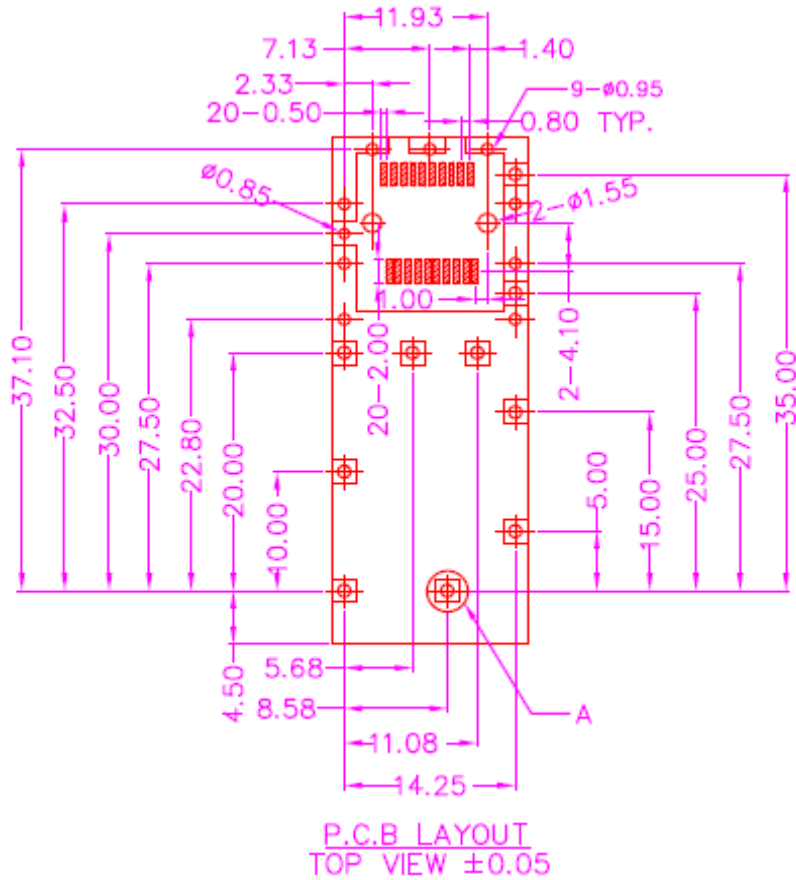
Customer:

DRW:	Jason	CHKD	Wilson	MATL:	Wilson	TOLERANCE	Mason	DATE	21.12.2012
APPD:	Schumi			FINISH	Jamy		Sheet No.	3 from 6	

www.edcon-components.com

email: info@edcon-components.com

EDCON-COMPONENTS



**SFP Connector Cage
Press-Fit**

Part No.: **T98003**

Customer:

DRW:	Jason	CHKD	Wilson	MATL:	Wilson	TOLERANCE	Mason	DATE	21.12.2012
APPD:	Schumi			FINISH	Jamy		Sheet No.	4 from 6	

EDCON-COMPONENTS



Ordering Informations

Serie	Special function	Special function	ROHS	Packing Code						
T98003	0	0	R	BU						

0 = no special function	0 = no special function	R = ROHS Conform	BU = Bulk Ware
		N = NON ROHS Conform	TY = TRAY Packing
			IV = Individual Packing

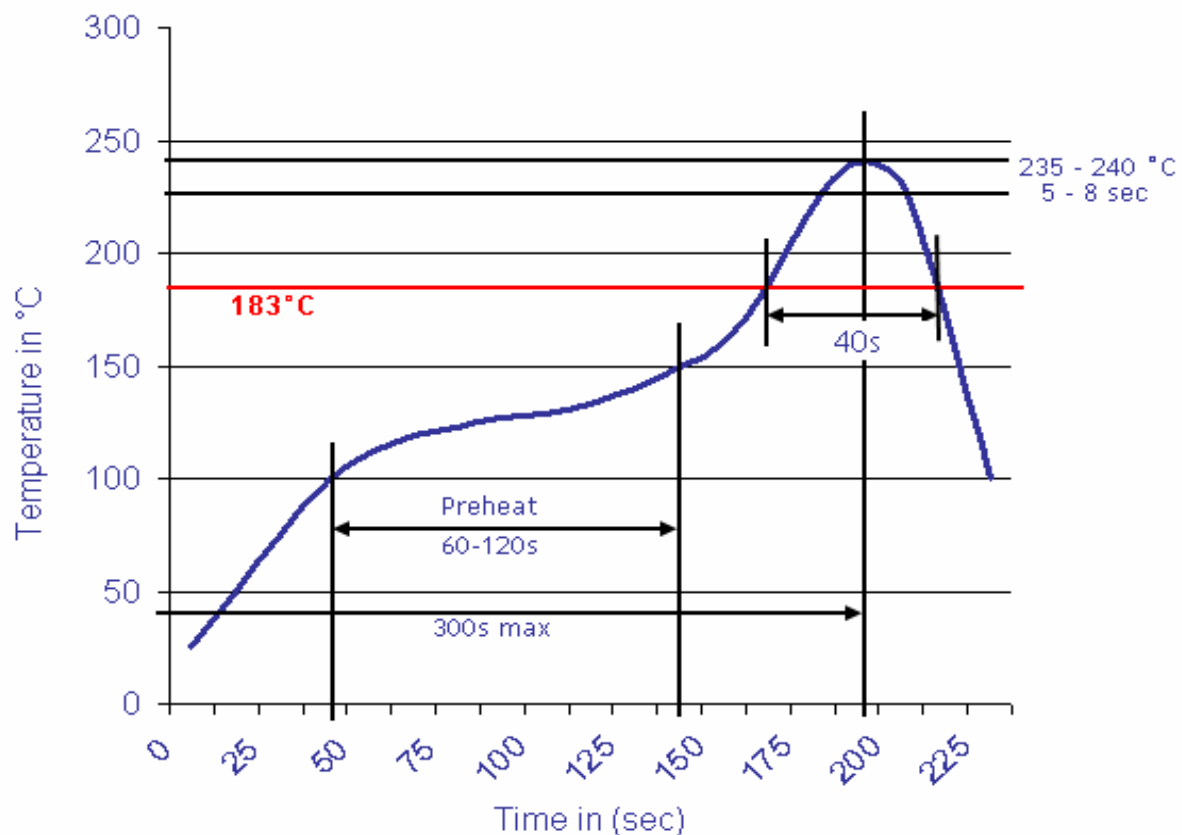
SFP Connector Cage Press-Fit	
Part No.:	T98003
Customer:	

DRW:	Jason	CHKD	Wilson	MATL:	Wilson	TOLERANCE	Mason	DATE	21.12.2012
APPD:	Schumi			FINISH	Jamy		Sheet No.		5 from 6



Soldering Profile Curve

Classification Reflow Profile (JEDEC J-STD-020C)



SFP Connector Cage Press-Fit	
Part No.:	T98003
Customer:	

DRW:	Jason	CHKD	Wilson	MATL:	Wilson	TOLERANCE	Mason	DATE	21.12.2012
APPD:	Schumi			FINISH	Jamy		Sheet No.	6 from 6	