

# EDCON-COMPONENTS



## Technical Description

### Electrical RJ-45

Current Rating: 1,5A  
 Voltage Rating: 125VAC  
 Insulation Resistance: 500M Ω min.  
 Contact Resistance: 30m Ω max.  
 Withstanding Voltage: AC 500V RMS 50/60Hz 1min.

### Mechanical RJ-45

Insertion Force: 5 Lbs max.  
 Retention Strength: 7,7Kg.F min.between jack a. plug  
 Durability: 1000 mating cycles min.

### Electrical USB

Current Rating: 1,0A  
 Voltage Rating: 125VAC  
 Insulation Resistance: 1000M Ω min.  
 Contact Resistance: 30m Ω max.  
 Withstanding Voltage: AC 750V RMS 50/60Hz 1min.

### Mechanical USB

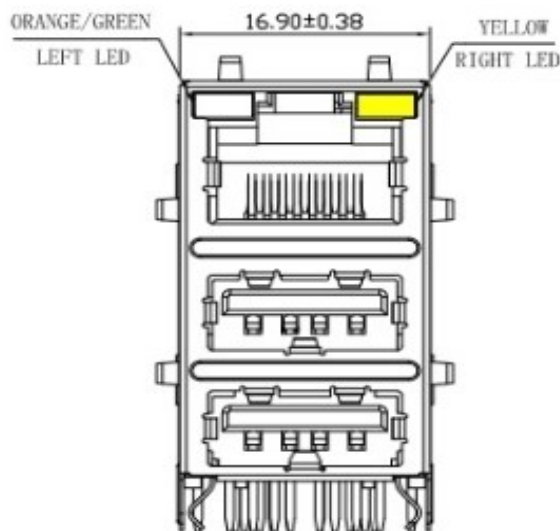
Contact Mating Force: 34N (3,5KG) Max  
 Connector Force: 9,8N (1,0Kg) max.  
 Durability: 1500 mating cycles min.

### Material

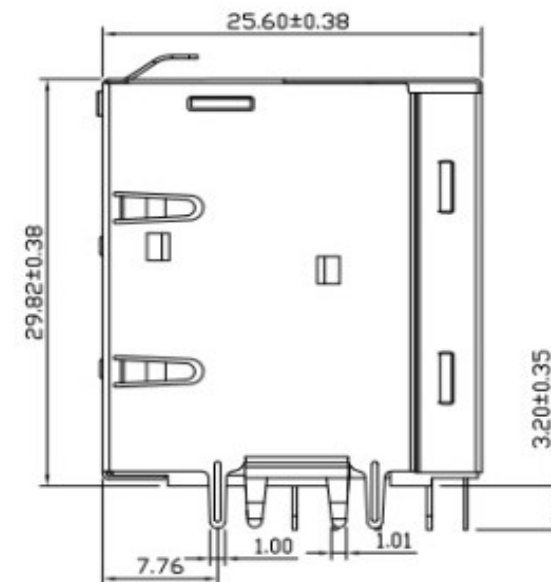
Insulator: Thermoplastic ( UL94V-0  
 Contact: Thickness Phosphor Bronzw  
 Contact Plating: Nickel under Gold plated Area

Working Temperatur: -0°C ~ +70°C

## Technical Drawing



Front Side View



**USB2.0 Dual Port +  
1xRJ45**

Part No.: **T91A27034-**

DRW:	John	CHKD	Tony	MATL:	Tony	TOLERANCE	Su	DATE	10.03.2023
APPD:	Jimmy			FINISH	Jeff		Sheet No.		1 from 5

Customer:

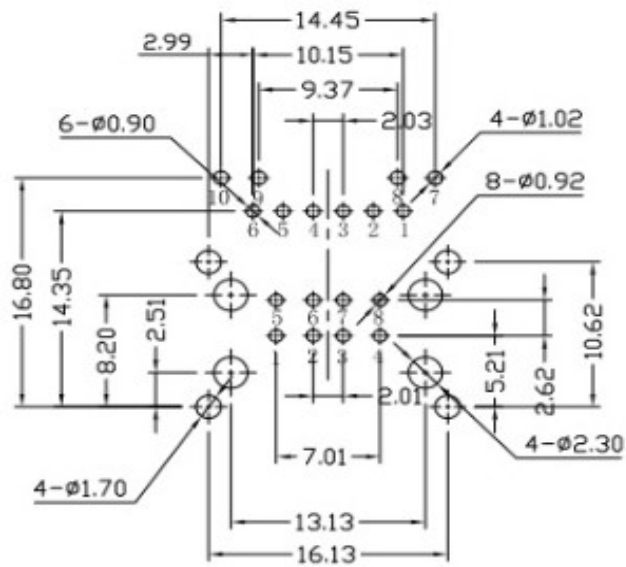
[www.edcon-components.com](http://www.edcon-components.com)

email: [info@edcon-components.com](mailto:info@edcon-components.com)

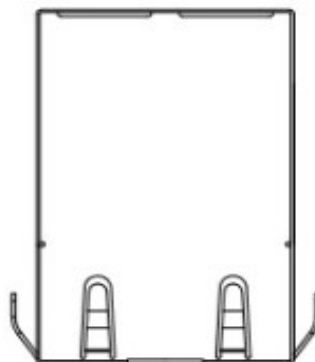
# EDCON-COMPONENTS



## PCB Layout / TOP-View (mm)



Suggested PCB Layout (Top View)



**USB2.0 Dual Port +  
1xRJ45**

Part No.: **T91A27034-**

DRW:	John	CHKD	Tony	MATL:	Tony	TOLERANCE	Su	DATE	10.03.2023
APPD:	Jimmy			FINISH	Jeff		Sheet No.	2 from 5	

Customer:

[www.edcon-components.com](http://www.edcon-components.com)

email: [info@edcon-components.com](mailto:info@edcon-components.com)

Copyright by S.Tiede

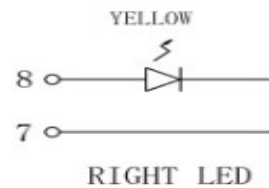
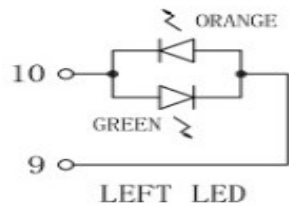
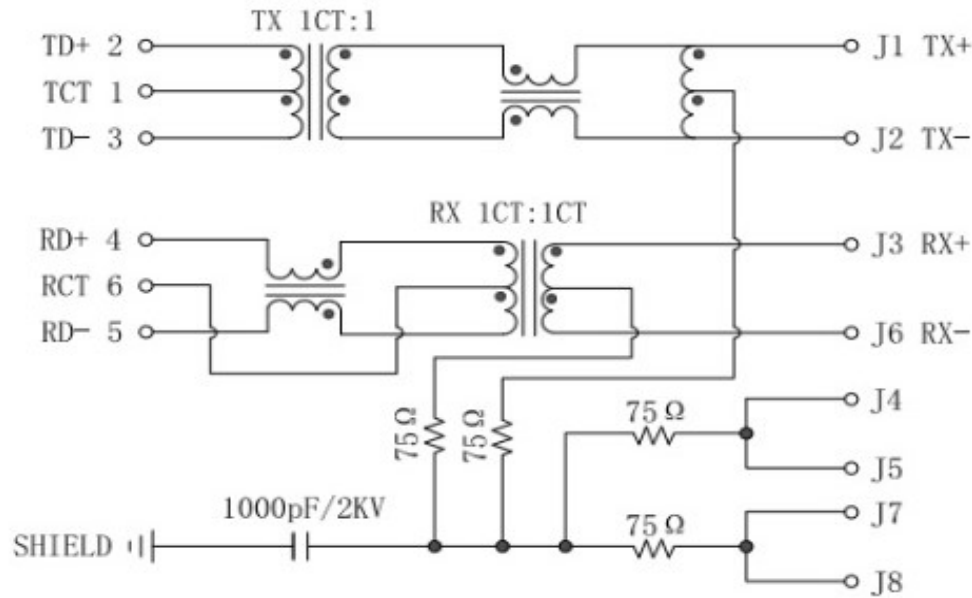
**EDCON-COMPONENTS**





PC BOARD CONNECTIONS

RJ45 CONNECTOR



**ELECTRICAL SPECIFICATIONS @25°C**

- Turn Ratio(±2%):  
TX=1CT:1 RX=1CT:1CT
- Inductance OCL:  
350uH MIN@100KHz/0.1V 8mA DC Bias
- Insertion Loss:  
-1.0dB MAX @ 1.0-100MHz
- Return Loss:  
-18dB MIN @ 1-30MHz  
-15dB MIN @ 30-60MHz  
-12dB MIN @ 60-80MHz  
-10dB MIN @ 80-100MHz
- Cross talk:  
-35dB MIN @ 1-100MHz
- Common Mode Rejection:  
-40dB MIN @ 30MHz  
-35dB MIN @ 60MHz  
-30dB MIN @ 100MHz
- Hipot Test:1500VAC 2Ses
- LED Lamp:  
Wave Length: GREEN/YELLOW/ORANGE: 570nm/590nm/610nm  
Forward Voltage(Vf):  
1.8V-2.6V (Test Condition: 20mA)
- Operating Temperature Range:0°C TO 70°C

**USB2.0 Dual Port +  
1xRJ45**

Part No.: **T91A27034-**

DRW:	John	CHKD	Tony	MATL:	Tony	TOLERANCE	Su	DATE	10.03.2023
APPD:	Jimmy			FINISH	Jeff		Sheet No.		3 from 5

Customer:

email: info@edcon-components.com

[www.edcon-components.com](http://www.edcon-components.com)

Copyright by S.Tiede

**EDCON-COMPONENTS**





**Ordering Informations**

Serie	No. Of Positions	No. Of Contact	Contact Plating	Special function	Special function	LED1 Left Side	LED2 Right Side	ROHS	Packing
<b>T91A27034-</b>	<b>8</b>	<b>8</b>	<b>GF</b>	<b>N</b>	<b>N</b>	<b>9</b>	<b>Y</b>	<b>R</b>	<b>TY</b>

<b>8=</b> 8Pos.	<b>8=</b> 8 Pos. connecting	<b>GF=</b> Gold Flash <b>GA=</b> 3µGold Plating <b>GB=</b> 6µGold Plating <b>GC=</b> 15µGold Plating <b>GD=</b> 30µGold Plating <b>GE=</b> 50µGold Plating	<b>N=</b> No special function	<b>N=</b> No special function	<b>Look Table</b>	<b>Look Table</b>	<b>R=</b> ROHS conform <b>N=</b> NON ROHS conform	<b>TY=</b> Tray Packing <b>BU=</b> Bulk-Ware
						LED1 / Left	LED2 / Right	
						Option	Forward	Reverse
						G	Green	-----
						Y	Yellow	-----
						R	Red	-----
						1	Green	Orange
						2	Yellow	Orange
						3	Green	Red
						4	Yellow	Red
						5	Green	Yellow
						6	Yellow	Reen
						7	Red	Green
						8	Red	Yellow
						9	Orange/Green	Yellow

**USB2.0 Dual Port + 1xRJ45**  
Part No.: **T91A27034-**

DRW:	John	CHKD	Tony	MATL:	Tony	TOLERANCE	Su	DATE	10.03.2023
APPD:	Jimmy			FINISH	Jeff			Sheet No.	4 from 5

Customer:  
email: info@edcon-components.com

[www.edcon-components.com](http://www.edcon-components.com)

Copyright by S.Tiede

**EDCON-COMPONENTS**

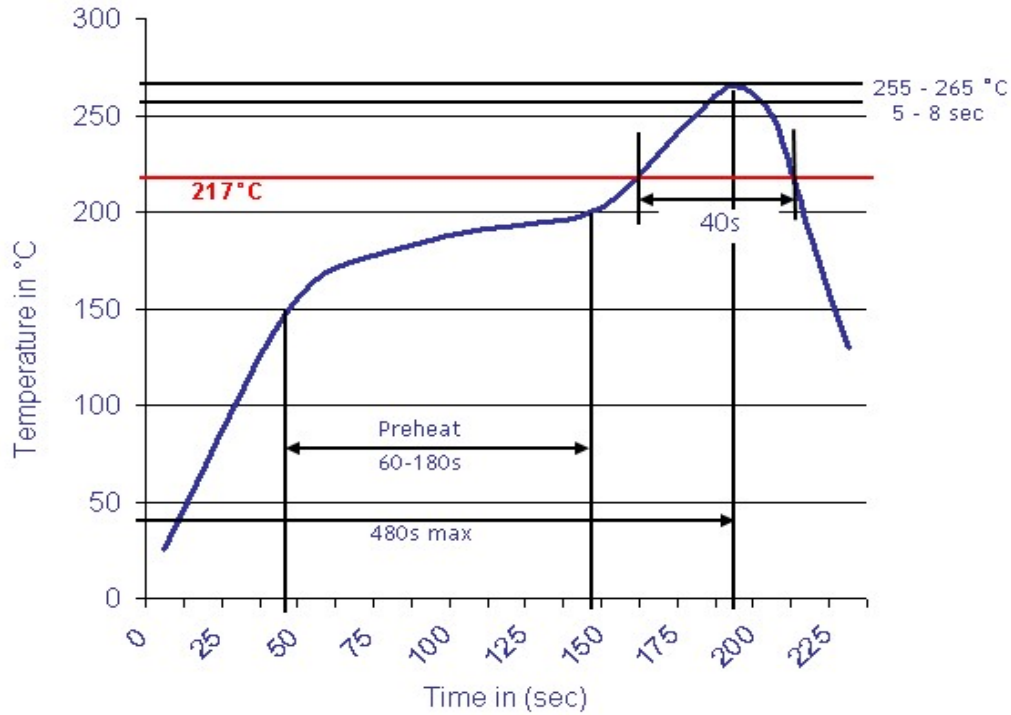




Soldering Profile Curve

Lead Free Soldering Curve

Classification Reflow Profile (JEDEC J-STD-020C)



**USB2.0 Dual Port +  
1xRJ45**

Part No.: **T91A27034-**

DRW:	John	CHKD	Tony	MATL:	Tony	TOLERANCE	Su	DATE	10.03.2023
APPD:	Jimmy			FINISH	Jeff		Sheet No.	5 from 5	

Customer:

[www.edcon-components.com](http://www.edcon-components.com)

email: [info@edcon-components.com](mailto:info@edcon-components.com)