



DATA SHEET

RJ-Connector

Serie: T91A27010 -

**THT / RJ-Connector
Shielded + USB2.0**

Serie No.: **T91A27010 -**

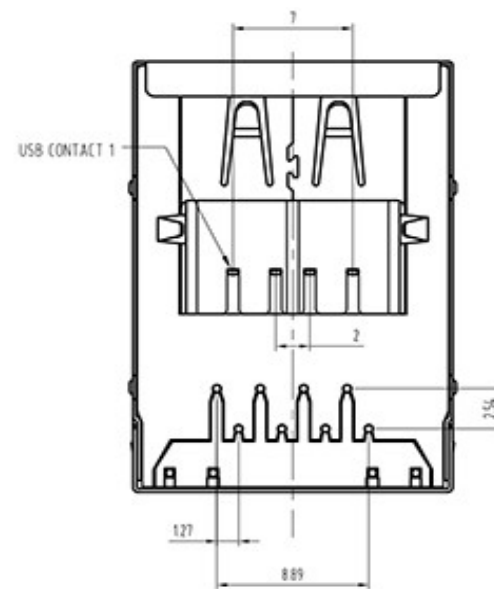
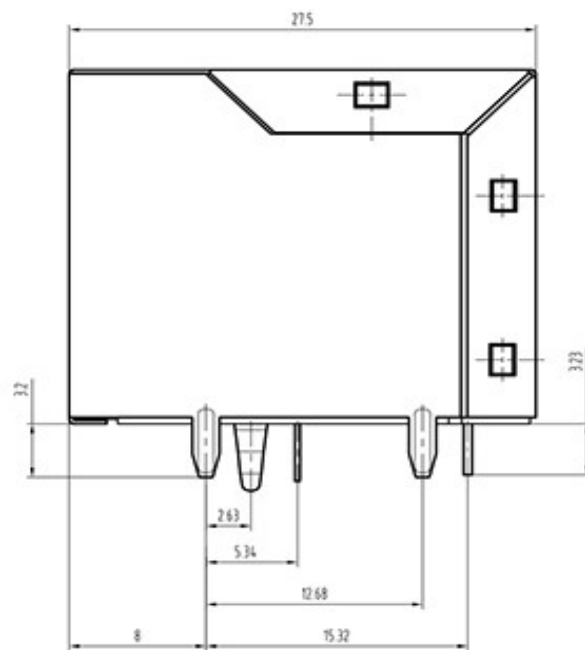
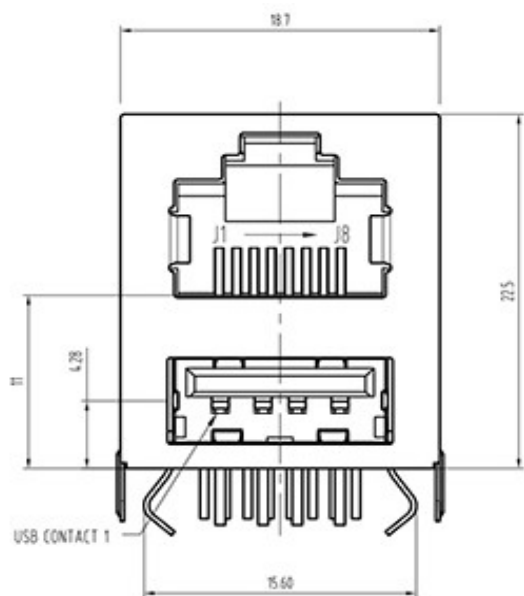
DRW:	Jason	CHKD	Wilson	MATL:	Wilson	TOLERANCE	Mason	DATE	17.07.2022	Customer:
APPD:	Schumi			FINISH	Jamy		Sheet No.		1 from 5	



Contact



Technical Drawing



**THT / RJ-Connector
Shielded + USB2.0**

Part No.: **T91A27010 -**

DRW:	Jason	CHKD	Wilson	MATL:	Wilson	TOLERANCE	Mason	DATE	17.07.2022
APPD:	Schumi			FINISH	Jamy		Sheet No.		3 from 5

www.edcon-components.com

email: info@edcon-components.com

EDCON-COMPONENTS



Contact



Ordering Informations

Serie	No of Positions	No of Contacts	Contact Plating	Special function	Special function	Special function	ROHS	Packing Code		
T91A27010 -	08	08	GF	N	N	N	R	TY		

08= Positions	08= Contacts	GF= Gold Flash (Standard)	N= No function	N= No function	N= No function	R= RoHS Conform	TY= Tray Packing
		GA= 3µ Gold				N= NON RoHS Conform	
		GB= 6µ Gold					
		GC= 15µ Gold					
		GD= 30µ Gold					
		GE= 50µ Gold					

**THT / RJ-Connector
Shielded + USB2.0**

Part No.: **T91A27010 -**

DRW:	Jason	CHKD	Wilson	MATL:	Wilson	TOLERANCE	Mason	DATE	17.07.2022
APPD:	Schumi			FINISH	Jamy		Sheet No.		4 from 5

Customer:



Contact

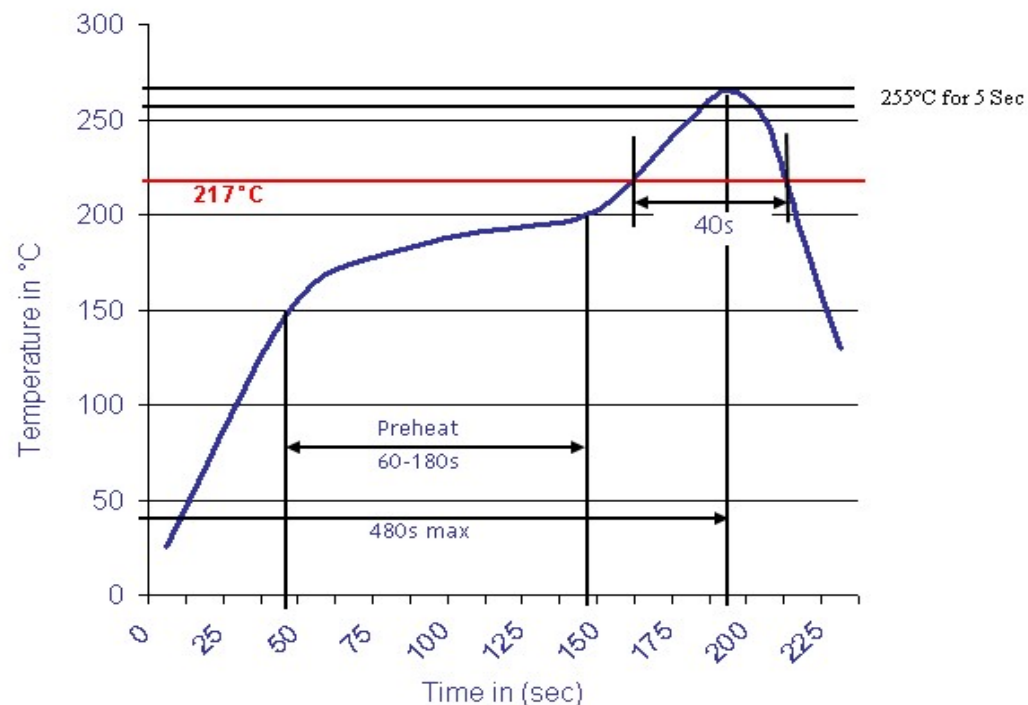
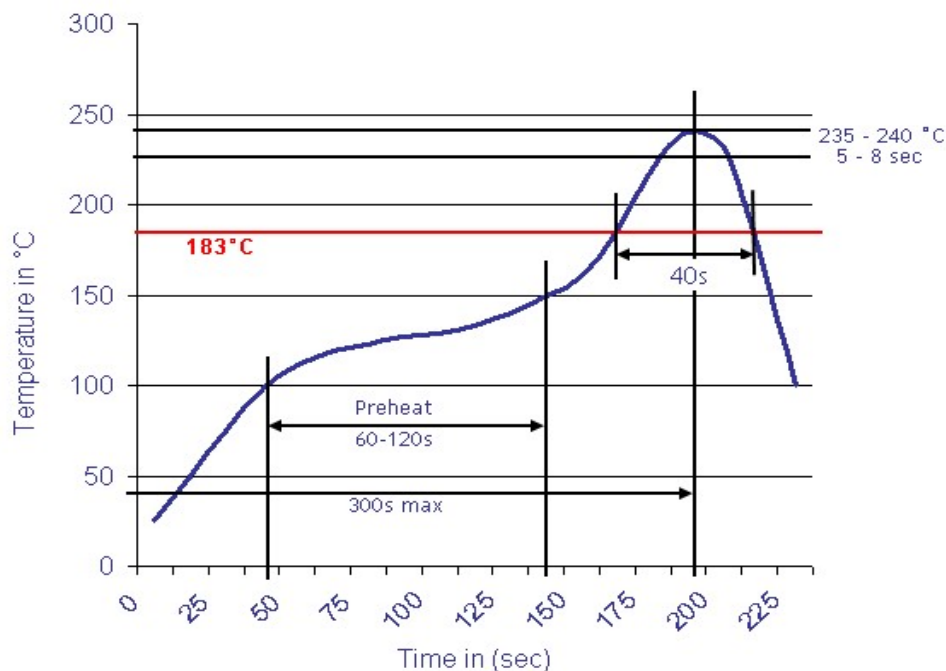


Soldering Profile Curve (NON-Rohs)

Soldering Profile Curve (-Rohs)

Classification Reflow Profile (JEDEC J-STD-020C)

Classification Reflow Profile (JEDEC J-STD-020C)



**THT / RJ-Connector
Shielded + USB2.0**

Part No.: **T91A27010 -**

DRW:	Jason	CHKD	Wilson	MATL:	Wilson	TOLERANCE	Mason	DATE	17.07.2022
APPD:	Schumi			FINISH	Jamy		Sheet No.		5 from 5

www.edcon-components.com

email: info@edcon-components.com