

EDCON-COMPONENTS



Material

Shield: Brass
 Finish: 10~20µ inches Nickel over 10~20µ inches Brass
 Contact: Phosphor Bronze
 Material: Phosphor Bronze
 Plating Area: Nickel underplating and selective gold plating 30µ inches
 Solder Area: Tin matte finish
 Housing: Thermoplastic UL94V-0
 Material: Thermoplastic UL94V-0
 Operating Temp.: -40°C to + 85°C
 Mating Force: 5 lbs./2.268 kgs.
 Unmating Force: 5 lbs./2.268 kgs.
 Durability: 750 Insertions

Features

RoHS peak wave solder temperature rating 260°C
 Suitable for CAT 5 & 6 Fast Ethernet Cable or better UTP
 Internal magnetics are 100% electrically tested for HI-POT and functionality
 Internal magnetics options available
 350µH minimum OCL with 8mA bias current
 High performance for maximum EMI suppression

Electrical Specifications

Bicolour LED Left G/Y Right G/Y

Ports 4

Insertion Loss (dB)	1-65Mhz / -1
	1-10Mhz / -20
	10-30Mhz / -30
	30-60Mhz / -12
Return Loss (dB TYPE) 100Ω (±15Ω)	60-80Mhz / -12

Crosstalk (dB TYP)	
1~30Mhz	-40
30~60Mhz	-35
60~100Mhz	-30

Commun Mode Rejection (dB TYP)	
1~50Mhz	-30
50~150Mhz	-20

PCB Modular Jack with shield with feder 100 Base-TX
Part No.: T91A24026-
Customer:

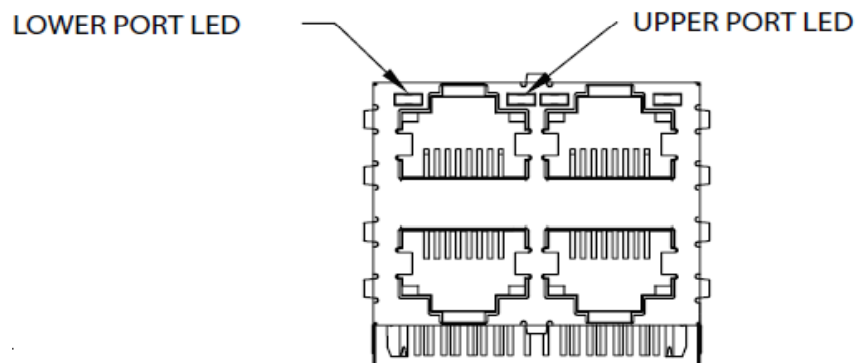
DRW:	John	CHKD	Tony	MATL:	Tony	TOLERANCE	Su	DATE	01.10.2020
APPD:	Jimmy			FINISH	Jeff			Sheet No.	1 from 6

www.edcon-components.com

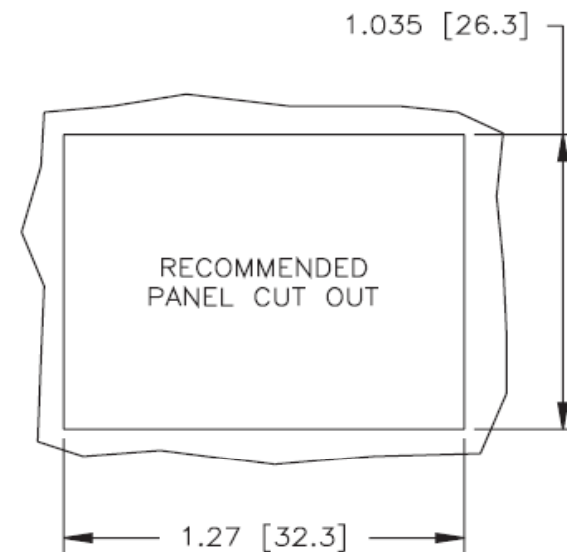
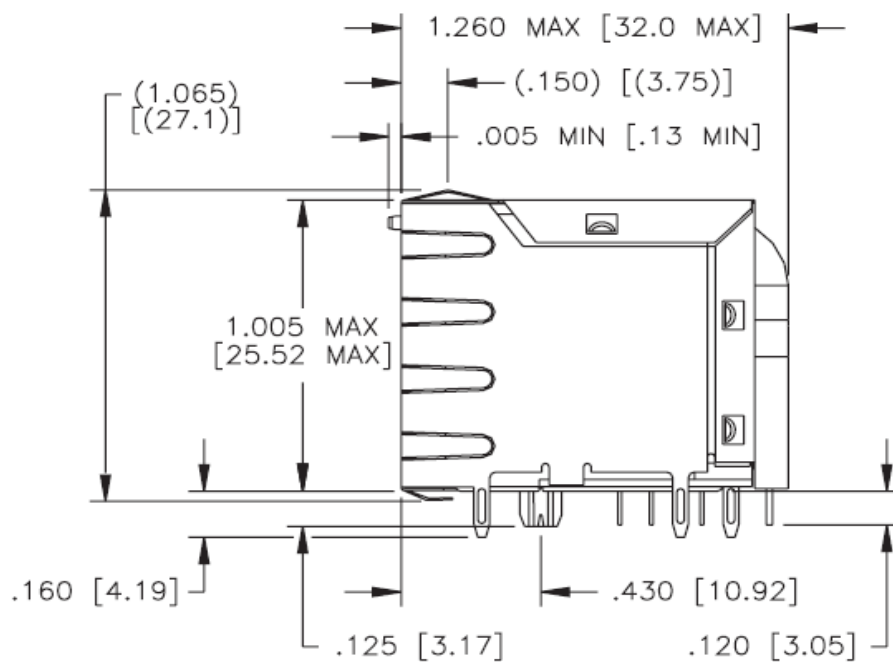
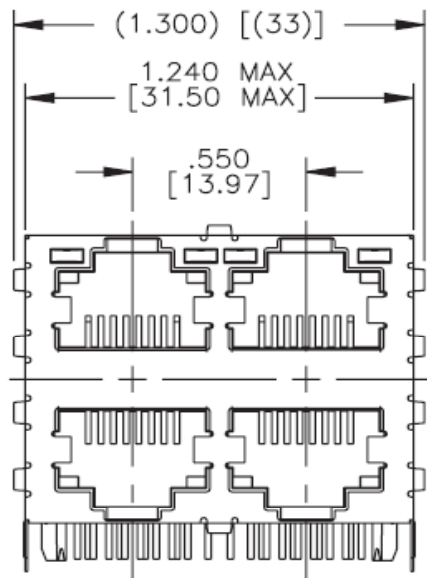
email: info@edcon-components.com

PCB Layout

100 Base-TX (Fast Ethernet) RJ45 2xN Integrated Connector Module (ICM) with or without LEDs - Designed to support Switch and Gateway applications.



EDCON-COMPONENTS



PCB Modular Jack with shield with feder 100 Base-TX	
Part No.:	T91A24026-
Customer:	

DRW:	John	CHKD	Tony	MATL:	Tony	TOLERANCE	Su	DATE	01.10.2020
APPD:	Jimmy			FINISH	Jeff		Sheet No.		2 from 6

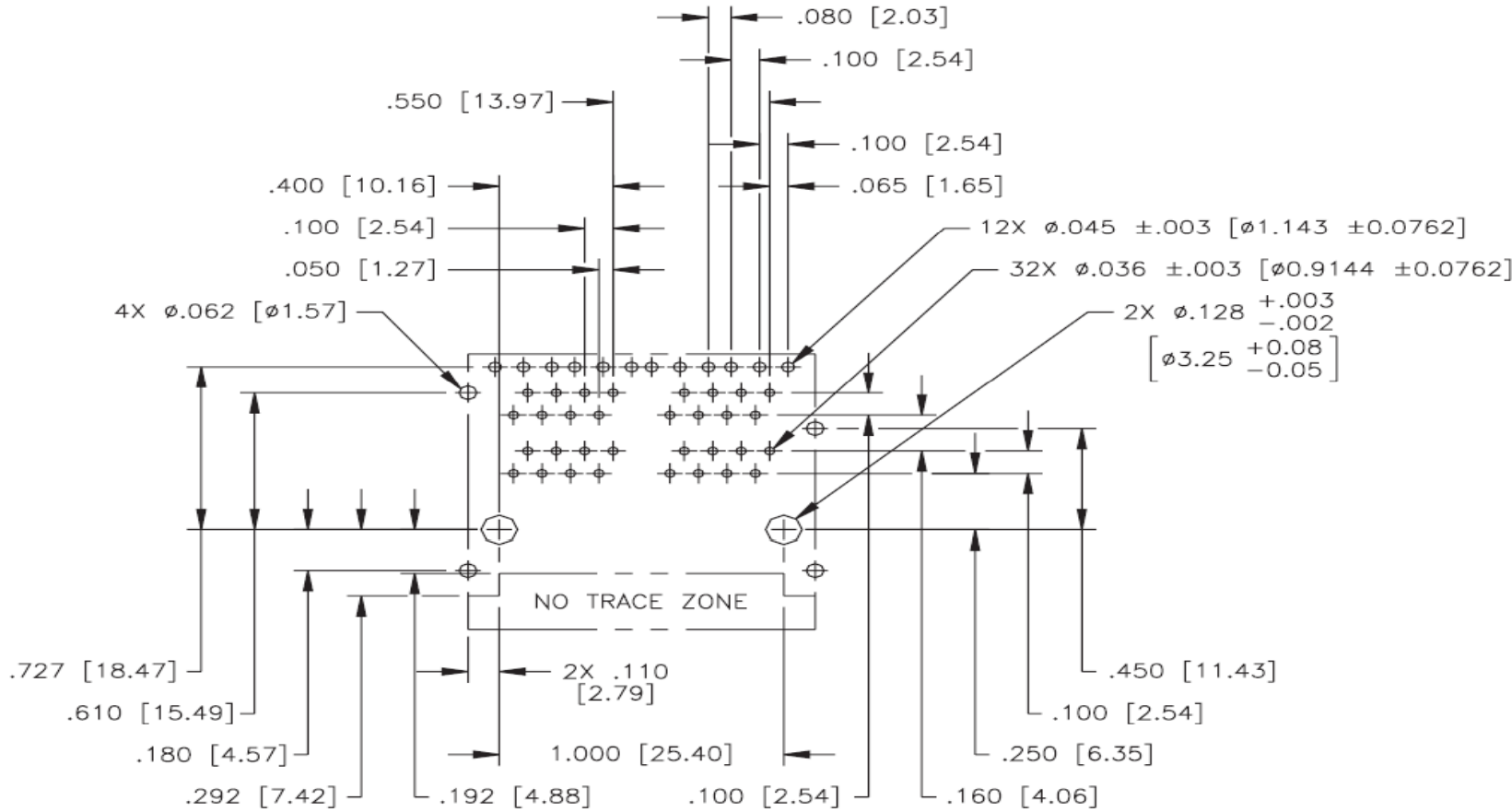
www.edcon-components.com

email: info@edcon-components.com

Copyright by S.Tiede

EDCON-COMPONENTS





PCB Modular Jack with shield with feder 100 Base-TX	
Part No.:	T91A24026-
Customer:	

DRW:	John	CHKD:	Tony	MATL:	Tony	TOLERANCE:	Su	DATE:	01.10.2020
APPD:	Jimmy			FINISH:	Jeff		Sheet No.		3 from 6

www.edcon-components.com

email: info@edcon-components.com

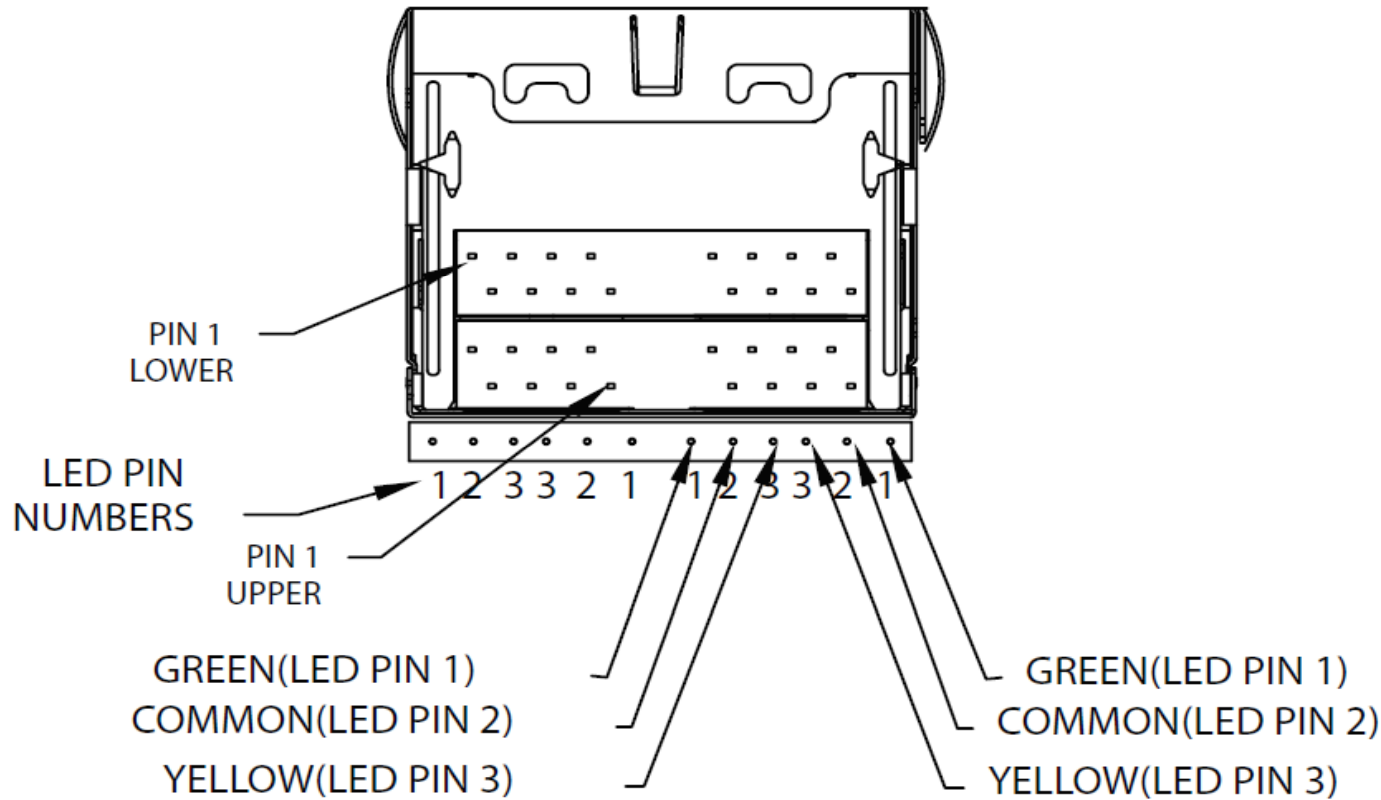
Copyright by S.Tiede

EDCON-COMPONENTS





PCB Layout viewed from Component side (Dimensions inches/ (mm) Unless otherwise specified all tolerances $\pm 0,10$ (0,25)



PCB Modular Jack with shield with feder 100 Base-TX	
Part No.:	T91A24026-
Customer:	

DRW:	John	CHKD	Tony	MATL:	Tony	TOLERANCE	Su	DATE	01.10.2020
APPD:	Jimmy			FINISH	Jeff		Sheet No.	4 from 6	

www.edcon-components.com

email: info@edcon-components.com

Copyright by S.Tiede

EDCON-COMPONENTS

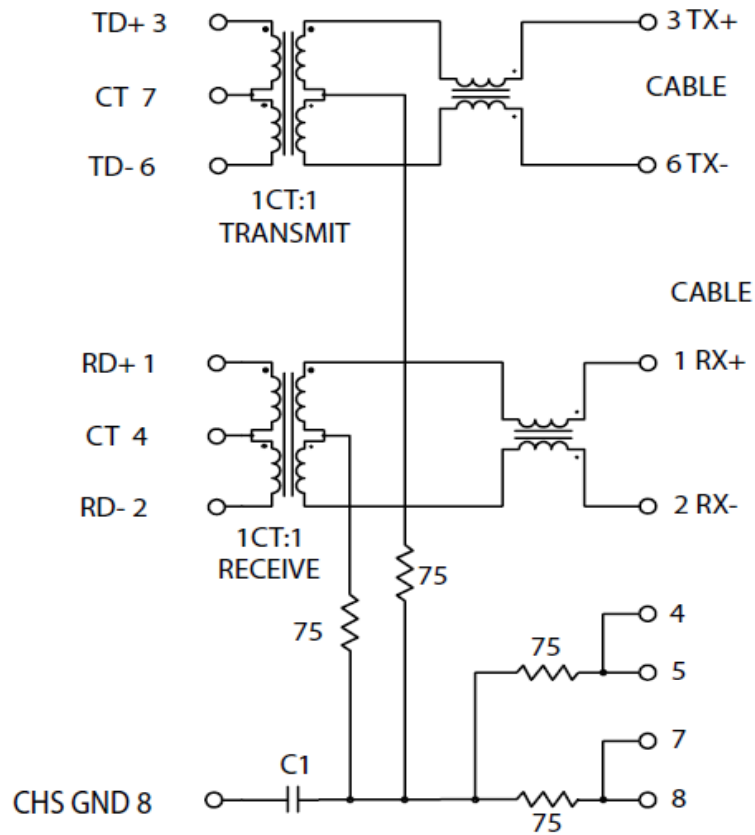




Electrical Schematics

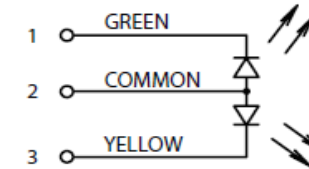
PCB SIDE

CABLE SIDE



SCHEMATIC

LED Configuration



LED ELECTRICAL SPECIFICATIONS		
EMMITTED COLOR	GREEN	YELLOW
WAVE LENGTH (If = 20 mA)	570 nm	590 nm
BRIGHTNESS - MIN TO MAX (mcd) If - (mA)	5 TO 12 20	3.5 TO 8.5 20
VIEWING ANGLE	120°	120°
POWER DISSIPATION (Pd)	85 mW MAXIMUM	85 mW MAXIMUM
FORWARD CURRENT (0.1 mS PULSE)	160 mA MAXIMUM	160 mA MAXIMUM
FORWARD VOLTAGE (Vf) (If = 20 mA)	2.8 V MAXIMUM	2.8 V MAXIMUM

PCB Modular Jack with shield
with feder 100 Base-TX

Part No.: **T91A24026-**

Customer:

DRW:	John	CHKD	Tony	MATL:	Tony	TOLERANCE	Su	DATE	01.10.2020
APPD:	Jimmy			FINISH	Jeff		Sheet No.		5 from 6

www.edcon-components.com

email: info@edcon-components.com

Copyright by S.Tiede

EDCON-COMPONENTS





Ordering Inforamtions

Serie	No. Of Positions	No. Of Contact	Contact Plating	Special function	Special function	LED Left Side	LED Right Side	ROHS	Packing	
T91A24026-	08	08	GF	N	N	N	N	R	TY	

08= 8 Pos.	08= 8 Pos. connecting	GF= Gold Flash GA= 3 μ Gold Plating GB= 6 μ Gold Plating GC= 15 μ Gold Plating GD= 30 μ Gold Plating GE= 50 μ Gold Plating	N= No special function	N= No special function	N= No special function	N= No special function	R= ROHS conform N= NON ROHS conform	TY= Tray Packing BU= Bulk-Ware
-------------------	------------------------------	---	-------------------------------	-------------------------------	-------------------------------	-------------------------------	--	---

PCB Modular Jack with shield with feder 100 Base-TX
Part No.: T91A24026-
Customer:

DRW:	John	CHKD	Tony	MATL:	Tony	TOLERANCE	Su	DATE	01.10.2020
APPD:	Jimmy			FINISH	Jeff		Sheet No.	5 from 6	

www.edcon-components.com

email: info@edcon-components.com

Copyright by S.Tiede
EDCON-COMPONENTS

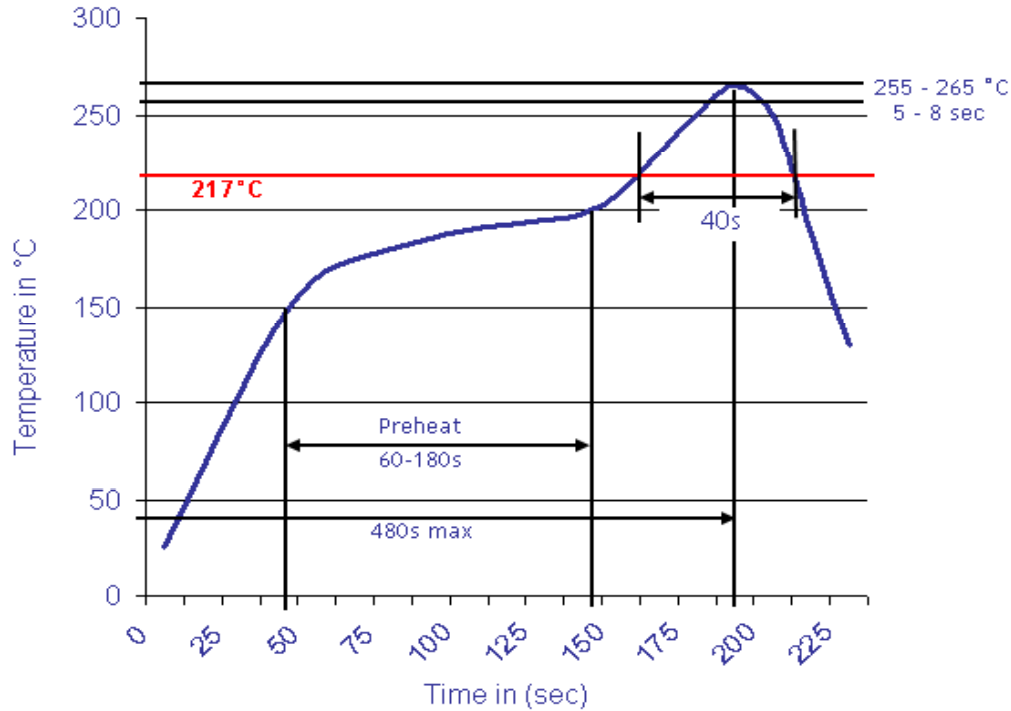




Soldering Profile Curve

Lead Free Soldering Curve

Classification Reflow Profile (JEDEC J-STD-020C)



**PCB Modular Jack with shield
with feder 100 Base-TX**

Part No.: **T91A24026-**

DRW:	John	CHKD	Tony	MATL:	Tony	TOLERANCE	Su	DATE	01.10.2020
APPD:	Jimmy			FINISH	Jeff		Sheet No.	6 from 6	

Customer: