

Contact



DATA SHEET

RJ-Connector

Serie: T91A15032 -

**THT / RJ-Connector
Shielded TOP-Entry**

Serie No.: **T91A15032 -**

Customer:

DRW:	Jason	CHKD	Wilson	MATL:	Wilson	TOLERANCE	Mason	DATE	04.06.2023
APPD:	Schumi			FINISH	Jamy		Sheet No.	1 from 5	

EDCON-COMPONENTS



Contact



Technical Description

Technical Drawing

Electrical

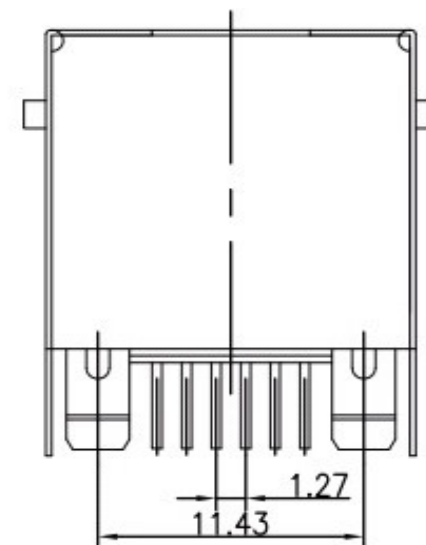
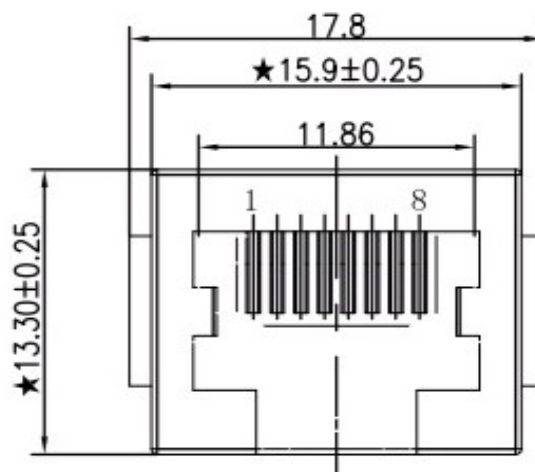
Current Rating:	1,5A
Voltage Rating:	125VAC
Insulation Resistance:	1000M Ω min.
Contact Resistance:	30m Ω max.
Withstanding Voltage:	AC 1000V RMS50/60Hz 1min.

Mechanical

Insertion Force:	2,2KG F. max.
Retention Strength:	7,7Kg F min between jack a.plug
Durability:	600mating cycles min.

Material

Housing:	ABS Resin (UL94V-0) PBT (UL94V-0 / PA66 UL94V-0) PA46 UL94V-0 Diameter 0,45mm
Contact Wire	Phosphor Bronze Gold Plating over Nickel 0,35mm thickness
Shield	0,20 ~ 0,25mm thickness Brass with tin plated
Contact Plating	Look order Code
Operating Temperature:	.-40°C ~ +70°C



Tolerances unless otherwise specified (mm)

x	x.x	x.xx	x.xxx	Angle
±	±	±	±	±3°
DRW:	Jason	CHKD	Wilson	MATL:
APPD:	Schumi			FINISH
				Jamy
				TOLERANCE
				Mason
				DATE
				04.06.2023
				Sheet No.
				2 from 5

**THT / RJ-Connector
Shielded TOP-Entry**

Part No.: **T91A15032 -**

Customer:

www.edcon-components.com

email: info@edcon-components.com

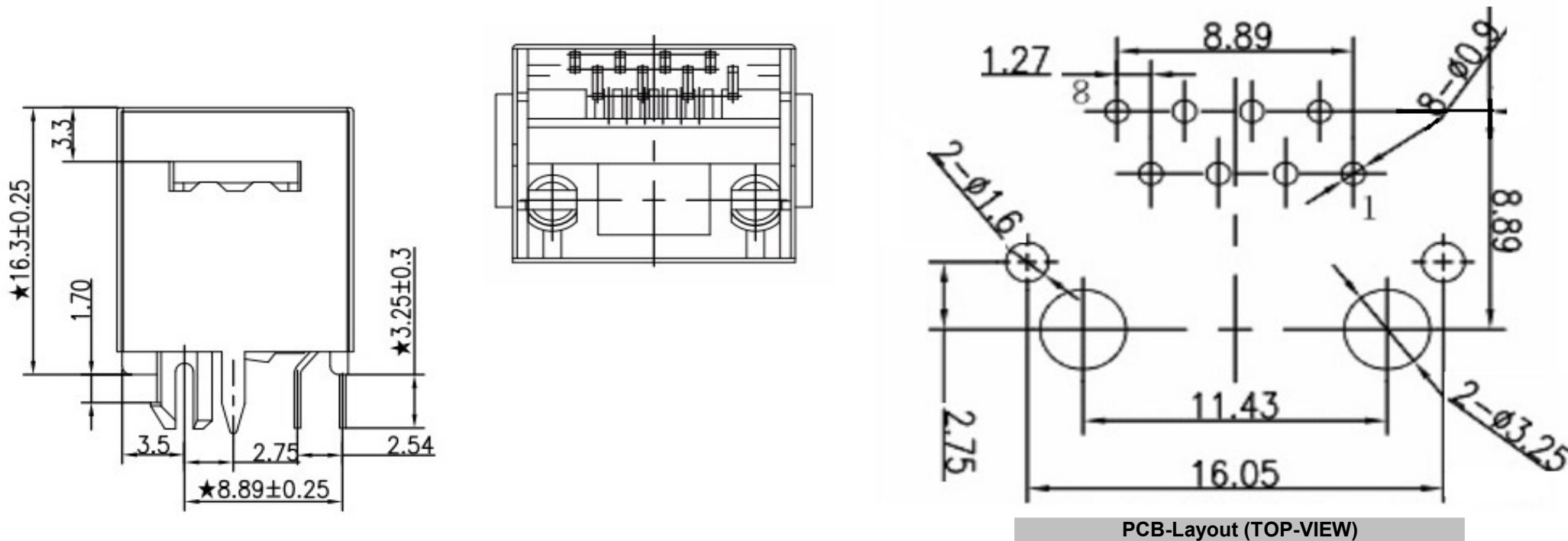
EDCON-COMPONENTS



Contact



Technical Drawing



PCB-Layout (TOP-VIEW)

**THT / RJ-Connector
Shielded TOP-Entry**

Part No.: **T91A15032 -**

DRW:	Jason	CHKD	Wilson	MATL:	Wilson	TOLERANCE	Mason	DATE	04.06.2023
APPD:	Schumi			FINISH	Jamy		Sheet No.		3 from 5

Customer:

www.edcon-components.com

email: info@edcon-components.com

EDCON-COMPONENTS



Contact



Ordering Informations

Serie	No of Positions	No of Contacts	Contact Plating	Special function	Special function	Special function	ROHS	Packing Code		
T91A15032 -	08	08	GF	N	N	N	R	TY		

08= Positions	08= Contacts	GF= Gold Flash (Standard)	N= No function	N= No function	N= No function	R= RoHS Conform	BU= Bulk Ware
		GA= 3µ Gold				N= NON RoHS Conform	TA= Tape Ammo Pack
		GB= 6µ Gold					TR= Tape Reel Packing when need w. PIC and PLACE CAP
		GC= 15µ Gold					
		GD= 30µ Gold					
		GE= 50µ Gold					TY= TRAY Packing

**THT / RJ-Connector
Shielded TOP-Entry**

Part No.: **T91A15032 -**

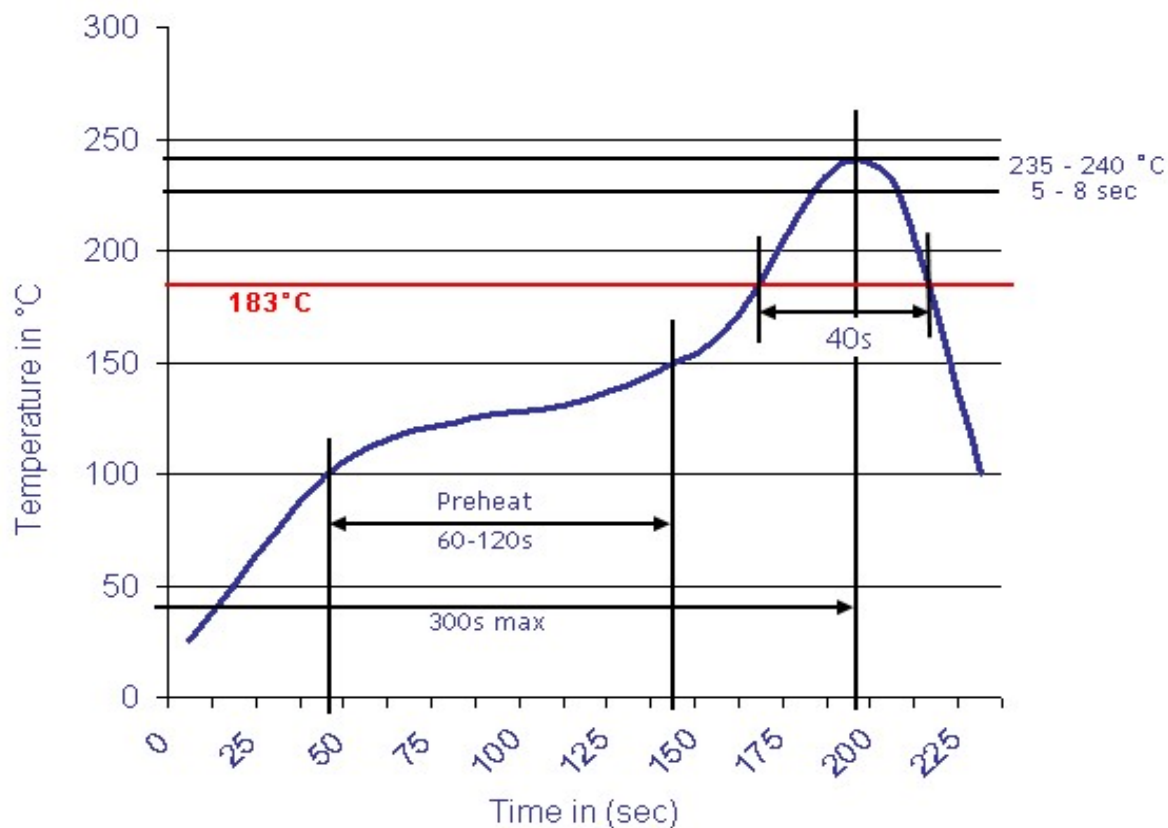
DRW:	Jason	CHKD	Wilson	MATL:	Wilson	TOLERANCE	Mason	DATE	04.06.2023
APPD:	Schumi			FINISH	Jamy		Sheet No.		4 from 5

Customer:



Soldering Profile Curve

Classification Reflow Profile (JEDEC J-STD-020C)



THT / RJ-Connector Shielded TOP-Entry
Part No.: T91A15032 -
Customer:

DRW:	Jason	CHKD:	Wilson	MATL:	Wilson	TOLERANCE:	Mason	DATE:	04.06.2023
APPD:	Schumi			FINISH:	Jamy		Sheet No.		5 from 5