



DATA SHEET

RJ-Connector

Serie: T91A15021 -

**THT / RJ-Connector
Shielded**

Serie No.: **T91A15021 -**

DRW:	Jason	CHKD	Wilson	MATL:	Wilson	TOLERANCE	Mason	DATE	08.01.2021	Customer:
APPD:	Schumi			FINISH	Jamy		Sheet No.	1 from 5		



Contact



Technical Description

PCB Layout

Electrical

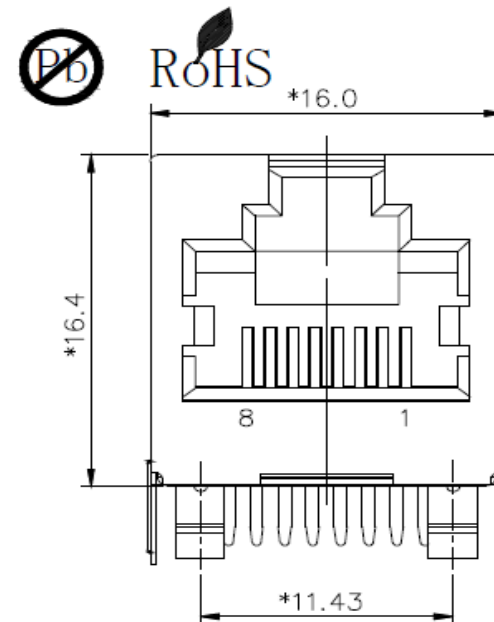
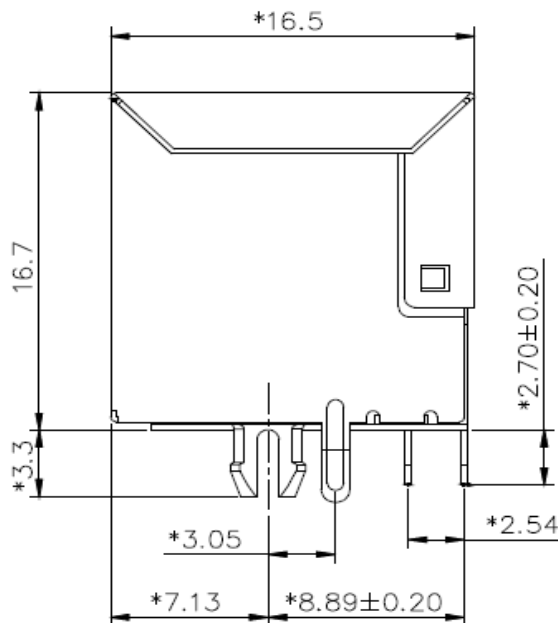
Current Rating: 1,5A
 Voltage Rating: 125VAC
 Insulation Resistance: 1000M Ω min.
 Contact Resistance: 30mΩ max.
 Withstanding Voltage: AC 1000V RMS50/60Hz 1min.

Mechanical

Insertion Force: 2,2KG F. max.
 Retention Strength: 7,7Kg F min between jack a.plug
 Durability: 600mating cycles min.

Material

Housing: ABS Resin (UL94V-0)
 PBT (UL94V-0 / PA66 UL94V-0)
 PA46 UL94V-0
 Diameter 0,45mm
 Contact Wire: Phosphor Bronze
 Gold Plating over Nickel
 0,35mm thickness
 Shield: 0,20 ~ 0,25mm thickness
 Brass with tin plated
 Contact Plating: Look order Code
 Operating Temperature: -40°C ~ +70°C

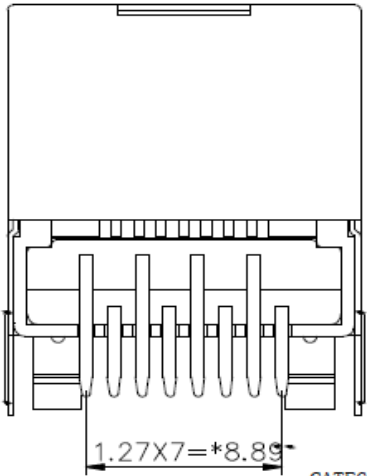


Tolerances unless otherwise specified (mm)									
x	x.x	x.xx	x.xxx	Angle					
±	±	±	±	±3°					
DRW:	Jason	CHKD	Wilson	MATL:	Wilson	TOLERANCE	Mason	DATE	08.01.2021
APPD:	Schumi			FINISH	Jamy			Sheet No.	2 from 5

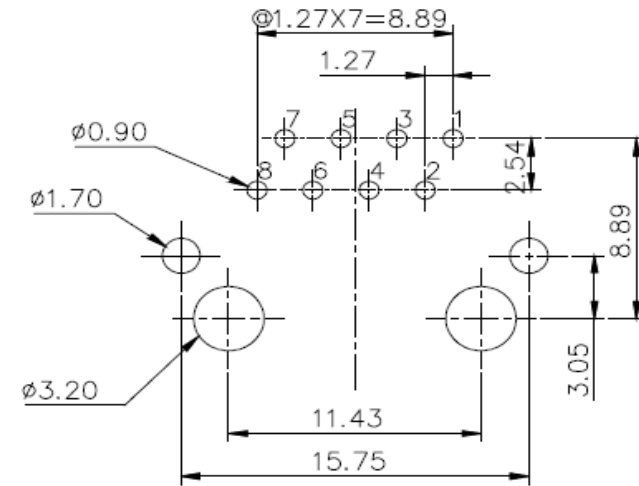
THT / RJ-Connector Shielded	
Part No.:	T91A15021 -
Customer:	



Technical Drawing



CATEGORY 6 CHARACTERISTIC



PC Board Layout t=1.6mm
Component Side Show

PCB-Layout

THT / RJ-Connector Shielded	
Part No.:	T91A15021 -
Customer:	

DRW:	Jason	CHKD	Wilson	MATL:	Wilson	TOLERANCE	Mason	DATE	08.01.2021
APPD:	Schumi			FINISH	Jamy		Sheet No.	3 from 5	

EDCON-COMPONENTS



Contact



Ordering Informations

Serie	No of Positions	No of Contacts	Contact Plating	Special function	Special function	Special function	ROHS	Packing Code		
T91A15021 -	08	08	GF	N	N	N	R	BU		

08= Positions	08= Contacts	GF= Gold Flash (Standard)	N= No function	N= No function	N= No function	R= RoHS Conform	BU= Bulk Ware
		GA= 3µ Gold				N= NON RoHS Conform	TA= Tape Ammo Pack
		GB= 6µ Gold					TR= Tape Reel Packing when need w. PIC and PLACE CAP
		GC= 15µ Gold					
		GD= 30µ Gold					
		GE= 50µ Gold					

**THT / RJ-Connector
Shielded**

Part No.: **T91A15021 -**

DRW:	Jason	CHKD	Wilson	MATL:	Wilson	TOLERANCE	Mason	DATE	08.01.2021
APPD:	Schumi			FINISH	Jamy		Sheet No.		4 from 5

Customer:

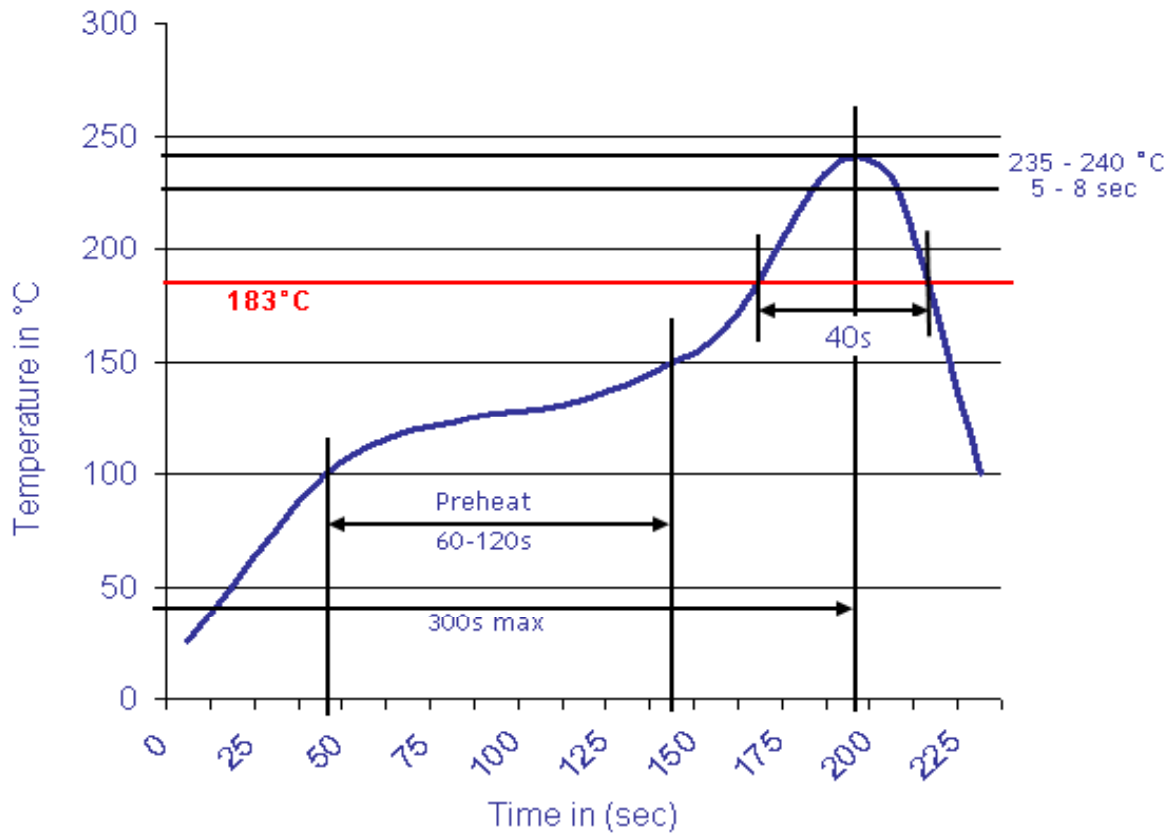


Contact



Soldering Profile Curve

Classification Reflow Profile (JEDEC J-STD-020C)



THT / RJ-Connector Shielded	
Part No.:	T91A15021 -
Customer:	

DRW:	Jason	CHKD	Wilson	MATL:	Wilson	TOLERANCE	Mason	DATE	08.01.2021
APPD:	Schumi			FINISH	Jamy		Sheet No.		5 from 5