

Contact



# DATA SHEET

## RJ-Connector

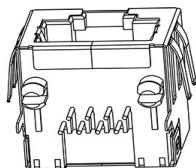
### Serie: T91A15020 -

**THT / RJ-Connector  
Shielded EMI**

Serie No.: **T91A15020 -**

DRW:	Jason	CHKD	Wilson	MATL:	Wilson	TOLERANCE	Mason	DATE	01.02.2019	Customer:
APPD:	Schumi			FINISH	Jamy		Sheet No.		1 from 5	

# EDCON-COMPONENTS



**Contact**



## Technical Description

## PCB Layout

### Electrical

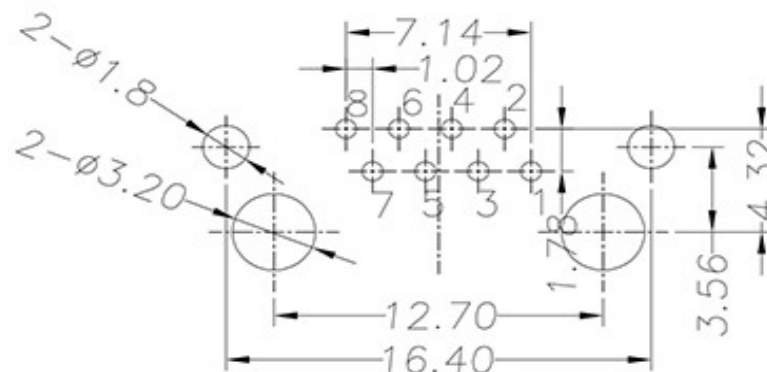
Current Rating:	1,5A
Voltage Rating:	125VAC
Insulation Resistance:	1000M $\Omega$ min.
Contact Resistance:	30m $\Omega$ max.
Withstanding Voltage:	AC 1000V RMS50/60Hz 1min.

### Mechanical

Insertion Force:	2,2KG F. max.
Retention Strength:	7,7Kg F min between jack a.plug
Durability:	750mating cycles min.

### Material

Housing:	ABS Resin (UL94V-0) PBT (UL94V-0 / PA66 UL94V-0) PA46 UL94V-0 Diameter 0,45mm
Contact Wire	Phosphor Bronze Gold Plating over Nickel 0,35mm thickness
Shield	0,20 ~ 0,25mm thickness Brass with tin plated
Contact Plating	Look order Code
Operating Temperature:	.-40°C ~ +85°C



Tolerances unless otherwise specified (mm)

x	x.x	x.xx	x.xxx	Angle
±	±	±	±	±3°
DRW:	Jason	CHKD	Wilson	MATL:
APPD:	Schumi			FINISH
			Jamy	
				Sheet No.
				2 from 5

**THT / RJ-Connector  
Shielded EMI**

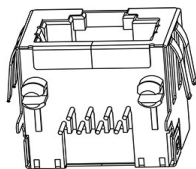
Part No.: **T91A15020 -**

Customer:

[www.edcon-components.com](http://www.edcon-components.com)

email: [info@edcon-components.com](mailto:info@edcon-components.com)

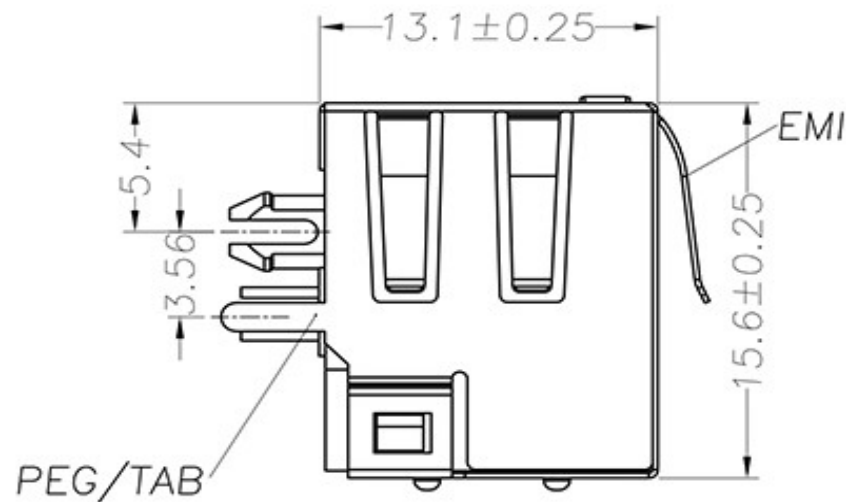
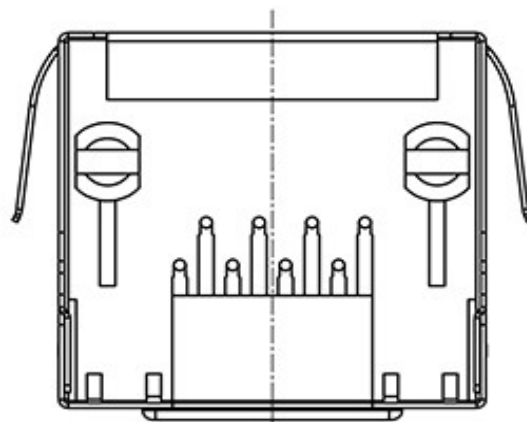
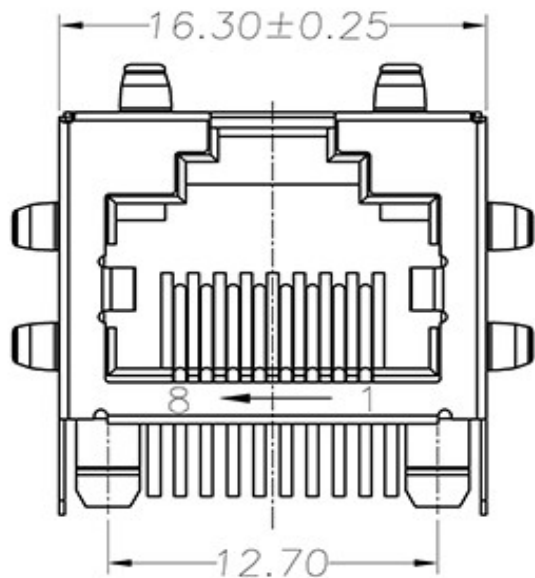
# EDCON-COMPONENTS



**Contact**



## Technical Drawing



**THT / RJ-Connector  
Shielded EMI**

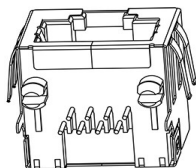
Part No.: **T91A15020 -**

DRW:	Jason	CHKD	Wilson	MATL:	Wilson	TOLERANCE	Mason	DATE	01.02.2019	Customer:
APPD:	Schumi			FINISH	Jamy		Sheet No.	3 from 5		

[www.edcon-components.com](http://www.edcon-components.com)

email: [info@edcon-components.com](mailto:info@edcon-components.com)

# EDCON-COMPONENTS



**Contact**



## Ordering Informations

Serie	No of Positions	No of Contacts	Contact Plating	Special Version	Special Version	Special function	ROHS	Packing Code		
<b>T91A15020 -</b>	<b>08</b>	<b>08</b>	<b>GF</b>	<b>00</b>	<b>00</b>	<b>N</b>	<b>R</b>	<b>TY</b>		

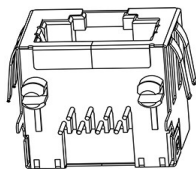
<b>08=</b> Positions	<b>08=</b> Contacts	<b>GF=</b> Gold Flash (Standard)	<b>00=</b> No function	<b>00=</b> No function	<b>N=</b> No function	<b>R=</b> RoHS Conform	<b>TY=</b> Tray Packing
		<b>GA=</b> 3µ Gold	<b>A1=</b> Yellow	<b>B1=</b> Green		<b>N=</b> NON RoHS Conform	<b>BU=</b> Bulk Ware
		<b>GB=</b> 6µ Gold	<b>A2=</b> Green	<b>B2=</b> Yellow			
		<b>GC=</b> 15µ Gold	<b>A3=</b> Red	<b>B3=</b> Red			
		<b>GD=</b> 30µ Gold					
		<b>GE=</b> 50µ Gold					

**THT / RJ-Connector  
Shielded EMI**

Part No.: **T91A15020 -**

DRW:	Jason	CHKD	Wilson	MATL:	Wilson	TOLERANCE	Mason	DATE	01.02.2019
APPD:	Schumi			FINISH	Jamy		Sheet No.		4 from 5

Customer:

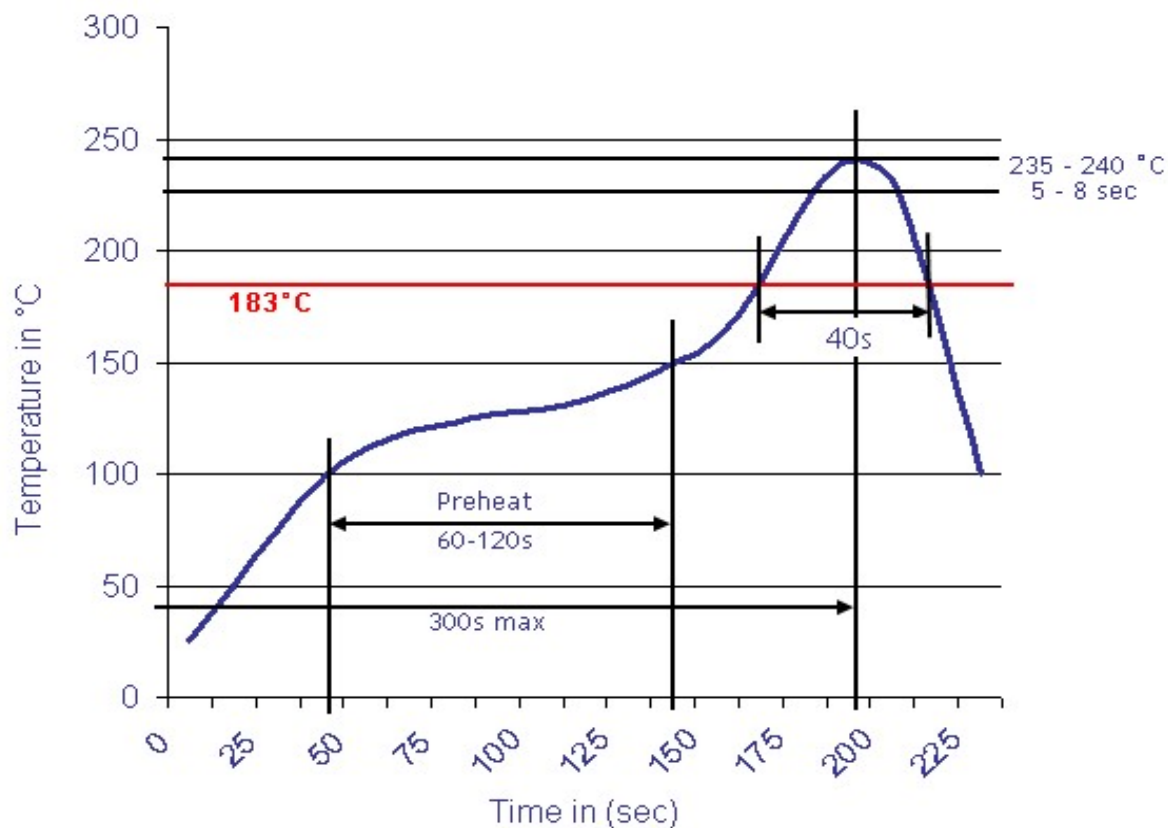


Contact



Soldering Profile Curve

Classification Reflow Profile (JEDEC J-STD-020C)



<b>THT / RJ-Connector Shielded EMI</b>	
Part No.:	<b>T91A15020 -</b>
Customer:	

DRW:	Jason	CHKD:	Wilson	MATL:	Wilson	TOLERANCE:	Mason	DATE:	01.02.2019
APPD:	Schumi			FINISH:	Jamy		Sheet No.		5 from 5