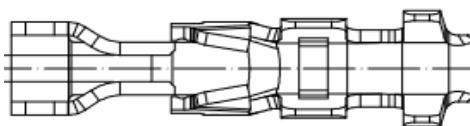


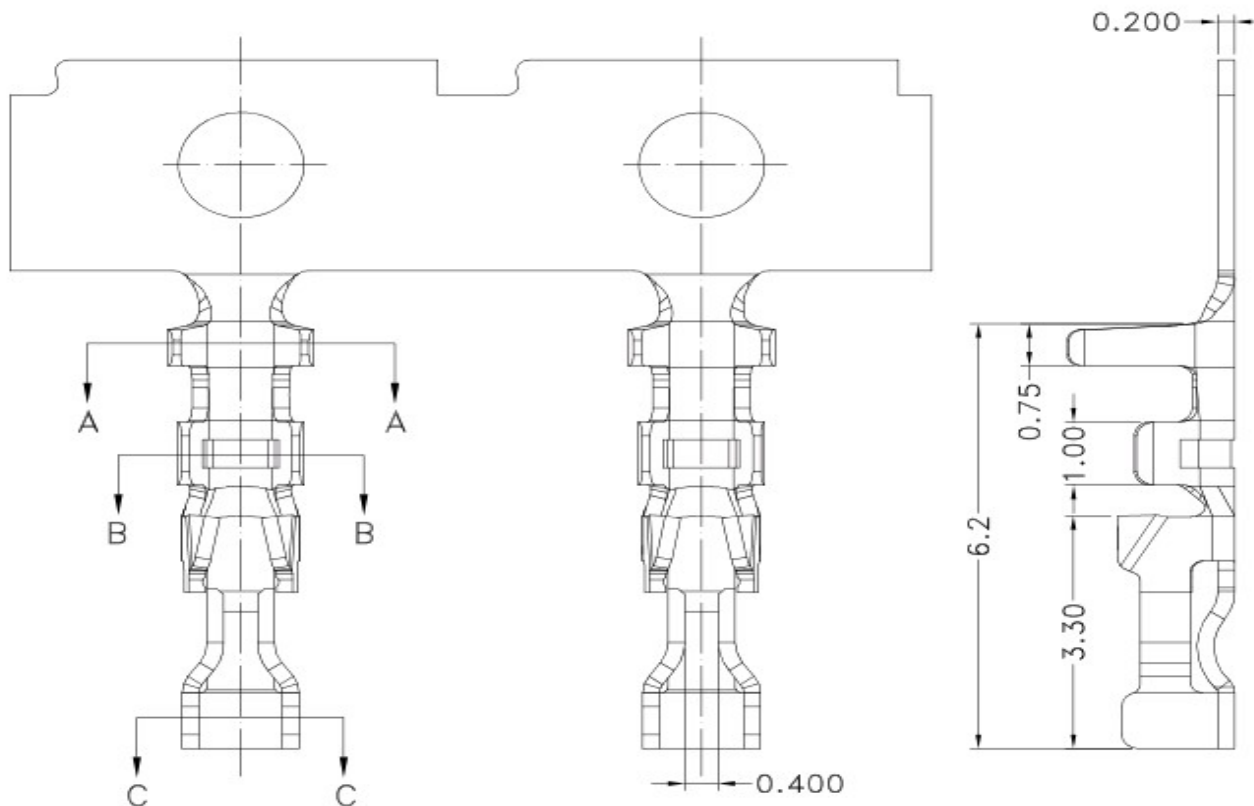
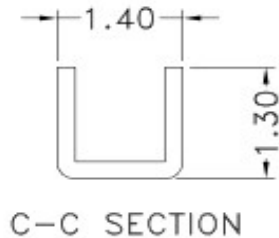
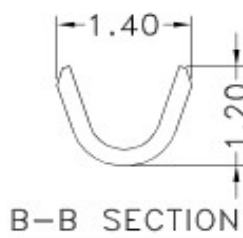
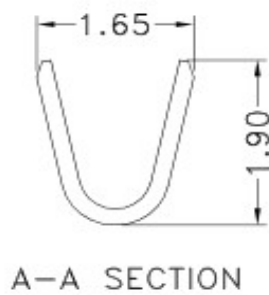
EDCON-COMPONENTS



Specifications

Voltage Rating:	125V AC,DC
Current Rating	4A AC/DC
Operating Temperature	. -25°C ~ + 85°C
Contact Resistance	20 milli Ohm max.
Withstanding Voltage	1000V AC/minute
Insulation Resistance	1000 M Ohm min.
Material Pin:	Phosphor Bronze
Contact Plating:	Tin
Isolation Diameter :	1,40mm (max.)

Drawing (dimensions all into mm)



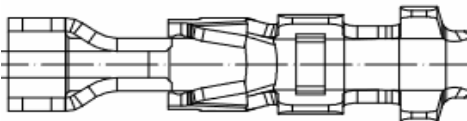
Female Terminal Pitch 2,00mm
Part No.: T68T103 -
Customer:

DRW:	Jason	CHKD	Wilson	MATL:	Wilson	TOLERANCE	Mason	DATE	16.02.2023
APPD:	Schumi			FINISH	Jamy		Sheet No.		1 from 2

www.edcon-components.com

email: info@edcon-components.com

EDCON-COMPONENTS



Ordering Informations

Serie	Contact	Wire Size	Packing						
T68T103 -	T	26	TR103						

T= Tin	26 = AWG 26~ 30	TR103= Tape/Reel 10000PCS							

Female Terminal Pitch 2,00mm
Part No.: T68T103 -
Customer:

DRW:	Jason	CHKD	Wilson	MATL:	Wilson	TOLERANCE	Mason	DATE	16.02.2023
APPD:	Schumi			FINISH	Jamy		Sheet No.	2 from 2	