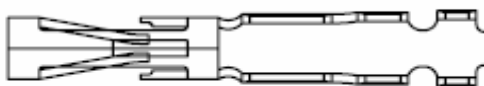


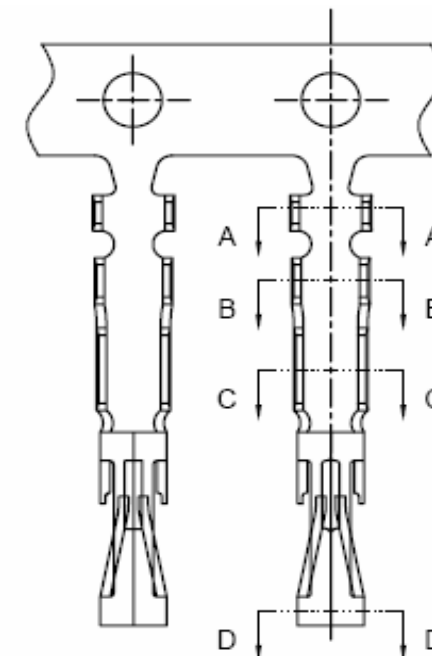
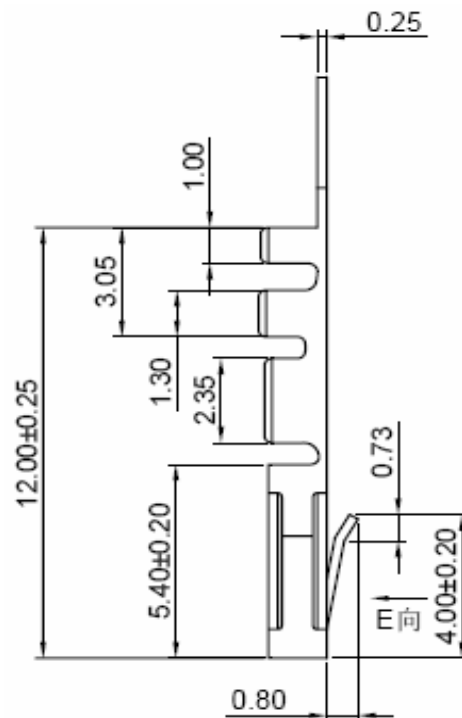
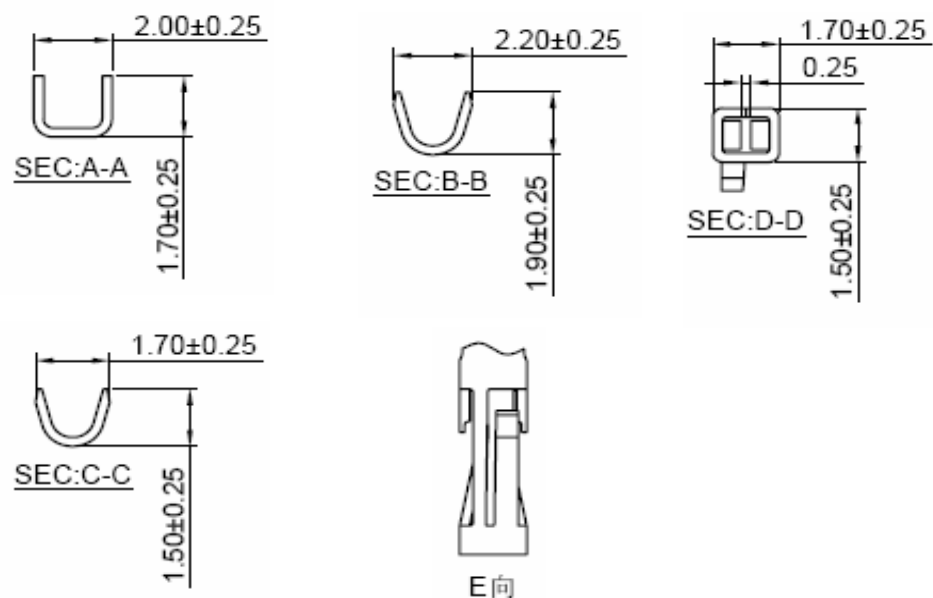
EDCON-COMPONENTS



Specifications

Voltage Rating:	250V AC,DC
Current Rating	3A AC/DC
Operating Temperature	-25°C ~ + 85°C
Contact Resistance	20 milli Ohm max.
Withstanding Voltage	1000V AC/minute
Insulation Resistance	1000 M Ohm min.
Material Pin:	Phosphor Bronze
Contact Plating:	Tin plated / Gold Flash Plated

Drawing (dimensions all into mm)



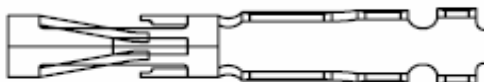
**Terminal T68N320 Pitch
2,54mm**

Part No.: **T68N320**

DRW:	Jason	CHKD	Wilson	MATL:	Wilson	TOLERANCE	Mason	DATE	09.05.2013
APPD:	Schumi			FINISH	Jamy		Sheet No.		1 from 2

Customer:
email: info@edcon-components.com

EDCON-COMPONENTS



Ordering Informations

Serie	Contact	Wire Size	Packing						
T68N320	T	26	TR153						

T= Tin	26 = AWG 22~ 26	TR153= Tape/Reel 15000PCS							
G= Flash Gold									

Terminal T68N320 Pitch 2,54mm	
Part No.:	T68N320
Customer:	

DRW:	Jason	CHKD	Wilson	MATL:	Wilson	TOLERANCE	Mason	DATE	09.05.2013
APPD:	Schumi			FINISH	Jamy		Sheet No.	2 from 2	

www.edcon-components.com

email: info@edcon-components.com