

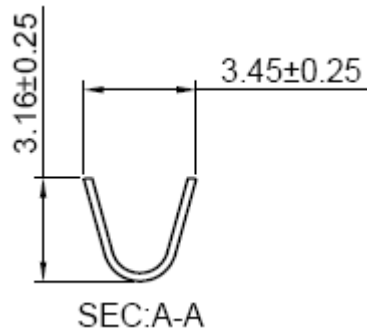
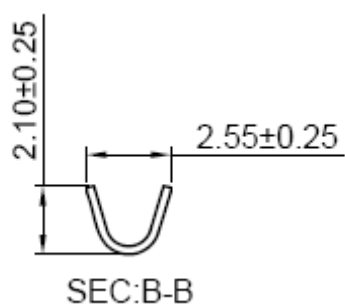
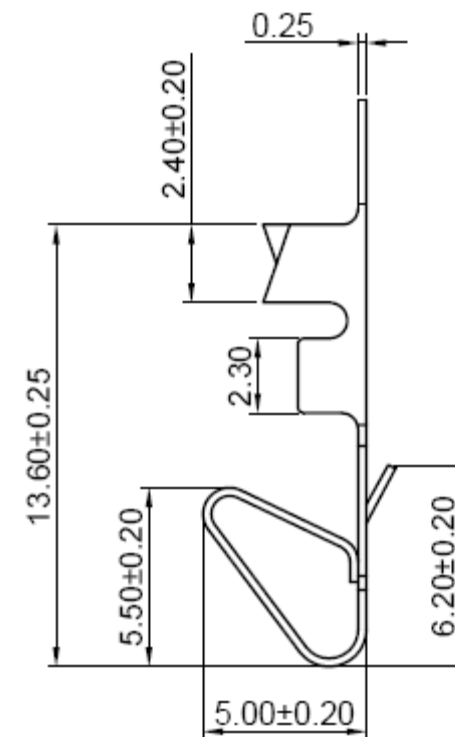
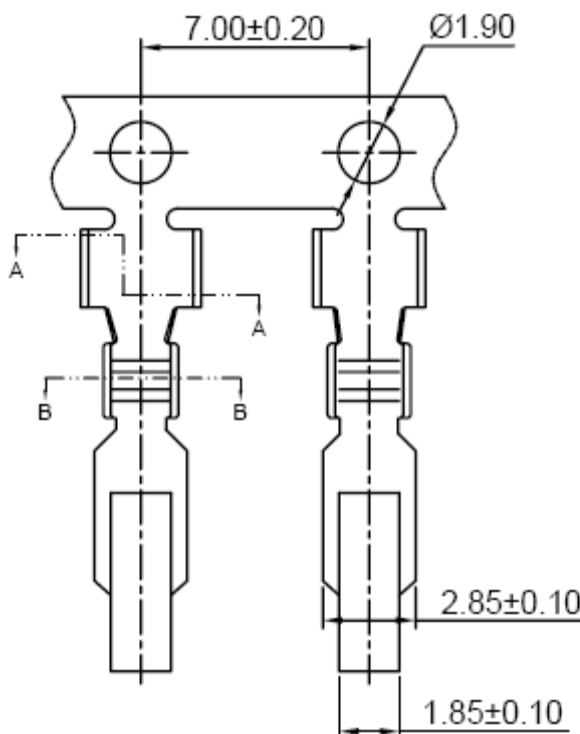
EDCON-COMPONENTS



Specifications

Voltage Rating:	250V AC,DC
Current Rating	7A
Operating Temperature	-40°C ~ + 105°C
Contact Resistance	10 milli Ohm max.
Withstanding Voltage	1500V AC/minute
Insulation Resistance	1000 M Ohm min.
Material Pin:	Phosphor Bronze
	Brass
Contact Plating:	Tin plated
	Gold plated

Drawing (dimensions all into mm)



**Terminal T68J041 Pitch
3,96mm**

Part No.: **T68J041-**

DRW:	Jason	CHKD	Wilson	MATL:	Wilson	TOLERANCE	Mason	DATE	15.10.2015
APPD:	Schumi			FINISH	Jamy		Sheet No.		1 from 2

Customer:

EDCON-COMPONENTS



Ordering Informations

Serie	C- Material	C-Plating	Wire Size	Packing					
T68J041-	BR	TN	A	TR					

BR= Brass	TN= Tinned	A = AWG 18~ 24	TR= Tape/Reel
PB= Phosphor Bronze	GO= Gold		

Terminal T68J041 Pitch 3,96mm
Part No.: T68J041-
Customer:

DRW:	Jason	CHKD	Wilson	MATL:	Wilson	TOLERANCE	Mason	DATE	15.10.2015
APPD:	Schumi			FINISH	Jamy		Sheet No.		2 from 2