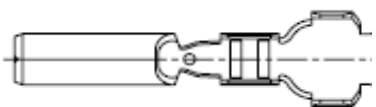


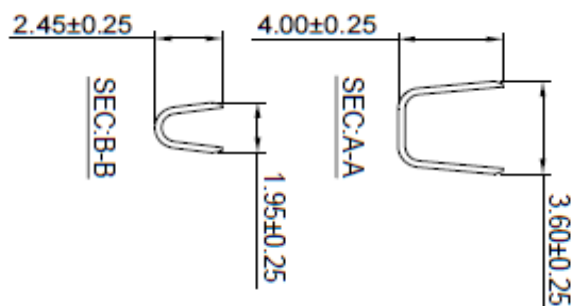
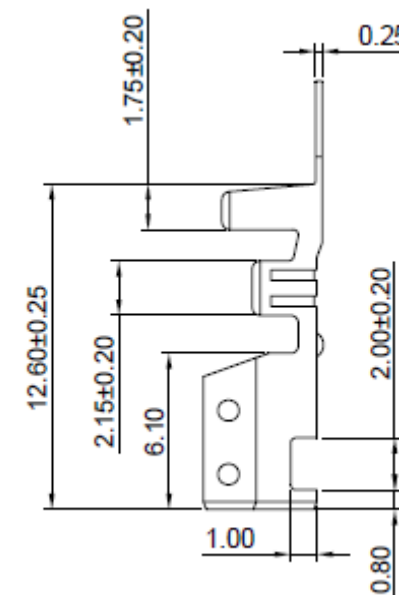
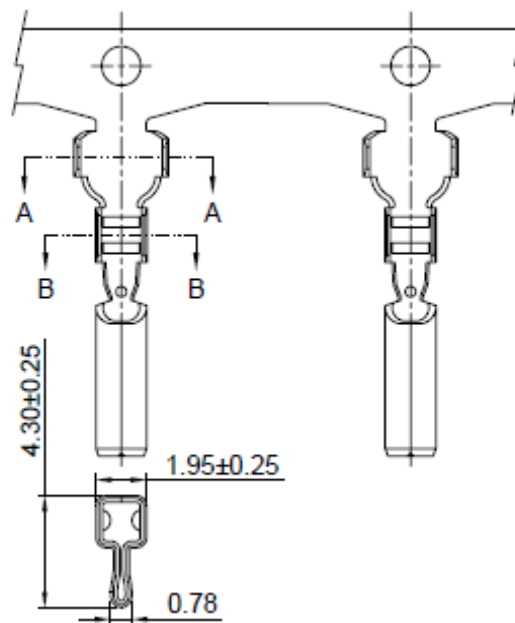
EDCON-COMPONENTS



Specifications

Voltage Rating:	250V AC,DC
Current Rating	7A AC/DC
Operating Temperature	-40°C ~ + 105°C
Contact Resistance	10 milli Ohm max.
Withstanding Voltage	1500V AC/minute
Insulation Resistance	1000 M Ohm min.
Material Pin:	Phosphor Bronze
	Brass
Contact Plating:	Tin plated or Gold plated

Drawing (dimensions all into mm)



**Terminal T68Jxxx Pitch
3,96mm**

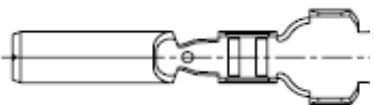
Part No.: **T68J028**

DRW:	Jason	CHKD	Wilson	MATL:	Wilson	TOLERANCE	Mason	DATE	10.10.2013
APPD:	Schumi			FINISH	Jamy		Sheet No.	1 from 2	Customer:

www.edcon-components.com

email: info@edcon-components.com

EDCON-COMPONENTS



Ordering Informations

Serie	C- Material	Contact Pl.	Wire Size	Packing					
T68J028	BR	TN	18	TR					

BR= Brass	TN= Tin Plated	18 = AWG 18~ 24	TR= Tape/Reel 5000PCS
PB= Phosphor Bronze	GO= Gold Plated		

Terminal T68Jxxx Pitch 3,96mm
Part No.: T68J028
Customer:

DRW:	Jason	CHKD	Wilson	MATL:	Wilson	TOLERANCE	Mason	DATE	10.10.2013
APPD:	Schumi			FINISH	Jamy		Sheet No.	2 from 2	