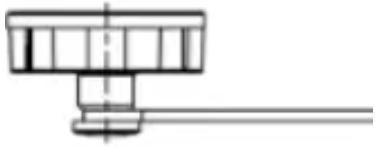


EDCON-COMPONENTS



Contact



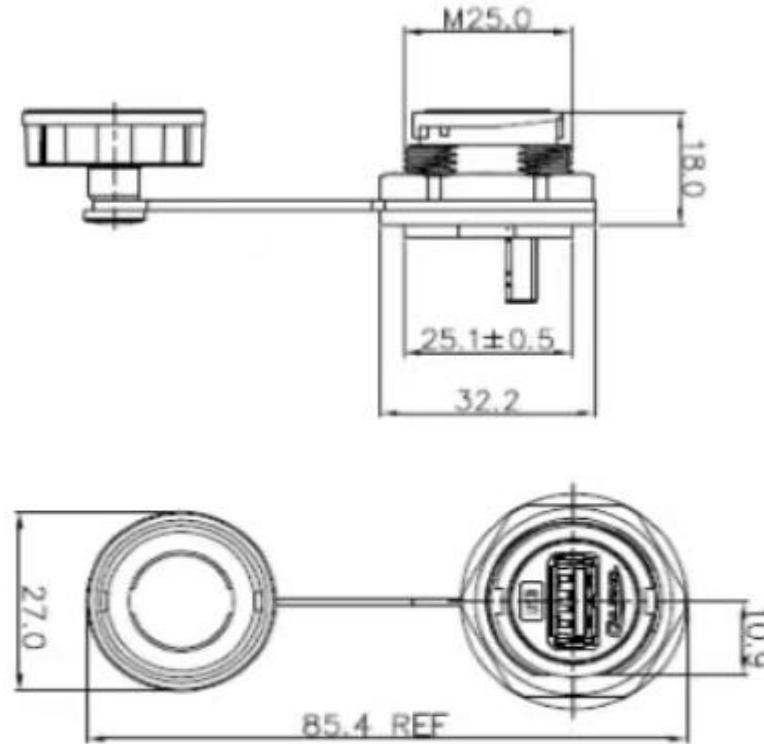
Specifications

Operating Temperature: -40°C to + 80°C

Material Housing: PBT Black

Protection degree: IP65

Drawing (dimensions all into mm)



USB-A Bajonett Protection Cap

Part No.: **T65299-**

Customer:

Tolerances unless otherwise specified (mm)

x	x.X	x.XX	x.XXX	Angle
±	±	±	±	±3°

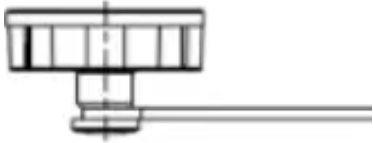
DRW:	Jason	CHKD	Wilson	MATL:	Wilson	TOLERANCE	Mason	DATE	17.08.2023
APPD:	Schumi			FINISH	Jamy			Sheet No.	1 from 3

www.edcon-components.com

Copyright by S.Tiede

email: info@edcon-components.com

EDCON-COMPONENTS



Contact



Ordering Informations

Serie	Size	Body Colour	Insulator Material	Special function	ROHS	Packing				
T65299-	BA	BK	PB	N	R	BU				
	BA= Bajonett	BK= Black	PB= PBT	N= No function	R= ROHS Conform	BU= Bulk-Ware				

USB-A Bajonett Protection Cap	
Part No.:	T65299-
Customer:	

DRW:	Jason	CHKD	Wilson	MATL:	Wilson	TOLERANCE	Mason	DATE	17.08.2023
APPD:	Schumi			FINISH	Jamy			Sheet No.	2 from 2

www.edcon-components.com

email: info@edcon-components.com