

# DATA SHEET

## 0,8mm SMD SLOTT Connector Straight

### Serie: T63011

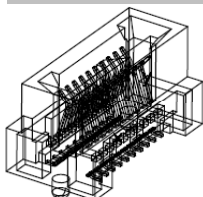
**0,8mm SMD SLOTT  
Connector Straight**

Serie No.: **T63011**

Customer:

DRW:	Jason	CHKD	Wilson	MATL:	Wilson	TOLERANCE	Mason	DATE	30.10.2020
APPD:	Schumi			FINISH	Jamy		Sheet No.		1 from 13

# EDCON-COMPONENTS



## Technical Informations

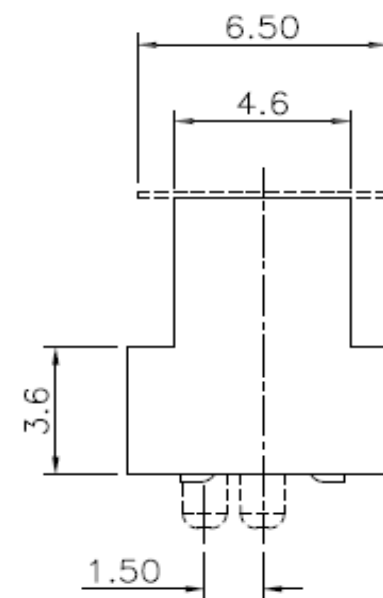
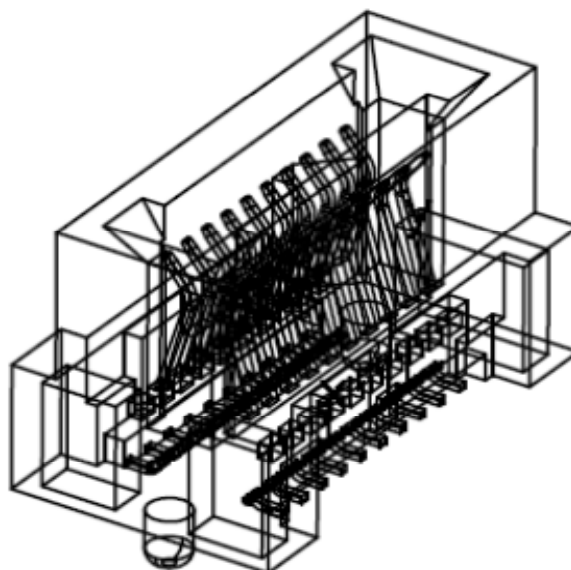
### Material:

Housing: LCP, UL94V-0  
 Contacts: Phosphor Bronze  
 Gold Plated on Contact Area and 80-160µ Matte Tin Plated on Solder Tail overNickel 50-120µ under plated.

### Electrical Characteristics:

Current Rating: 3,1A  
 Dielectric Withstanding Voltage: AC 600V for 1 Minute  
 Insulator Resistance: 600MΩ min. at DC 250V.  
 Contact Resistance: 8,4mΩ max. at DC 100mA  
 Operating Temperature: -55°C ~ +125°C  
 Mates with: 1,6 ±0,05mm Thick Edge Card  
 Speed: 14Gbps

## Technical Dimensions (mm)

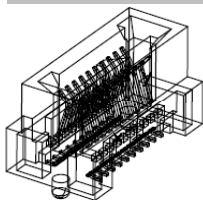


Tolerances unless otherwise specified (mm)				
X	X.X	X.XX	X.XXX	Angle
±	±	±	±	±3°

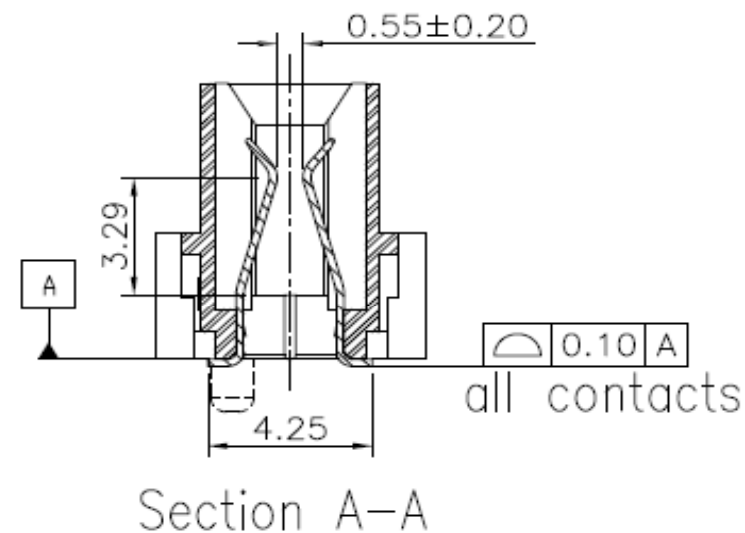
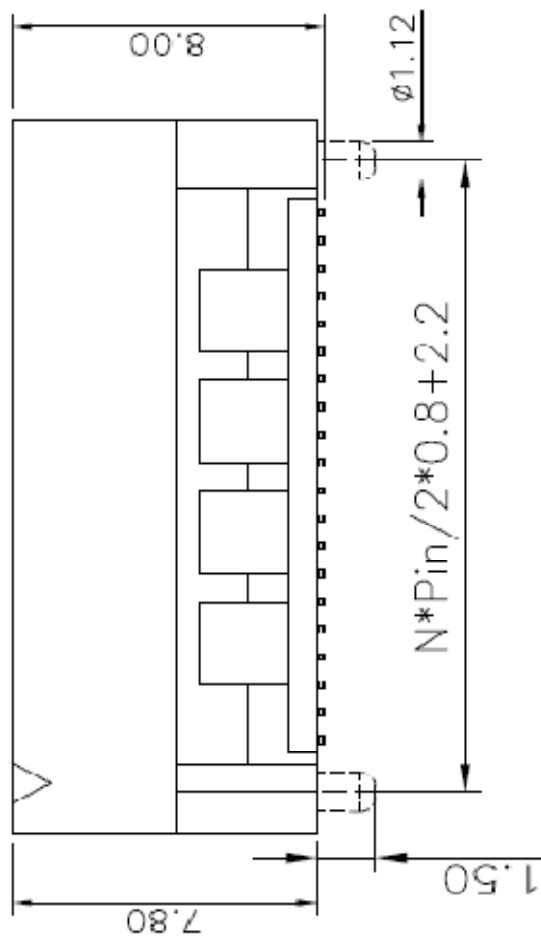
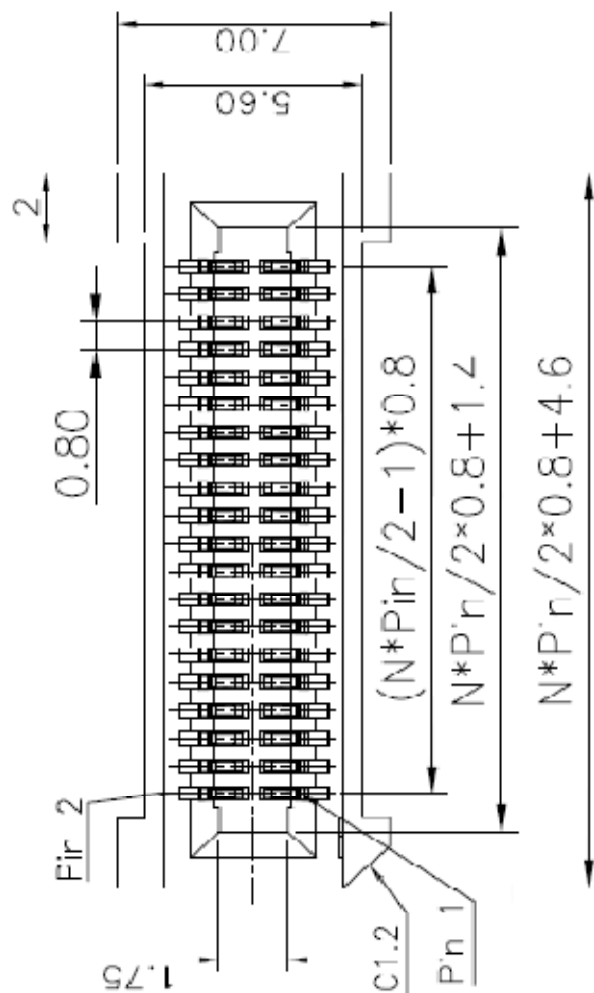
<b>0,8mm SMD SLOT Connector Straight</b>	
Part No.:	<b>T63011</b>
Customer:	

DRW:	Jason	CHKD	Wilson	MATL:	Wilson
APPD:	Schumi			FINISH	Jamy

TOLERANCE	Mason	DATE	30.10.2020
Sheet No.		2 from 13	



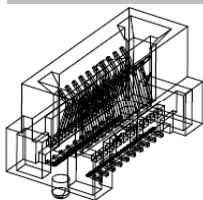
## Technical Dimensions (mm)



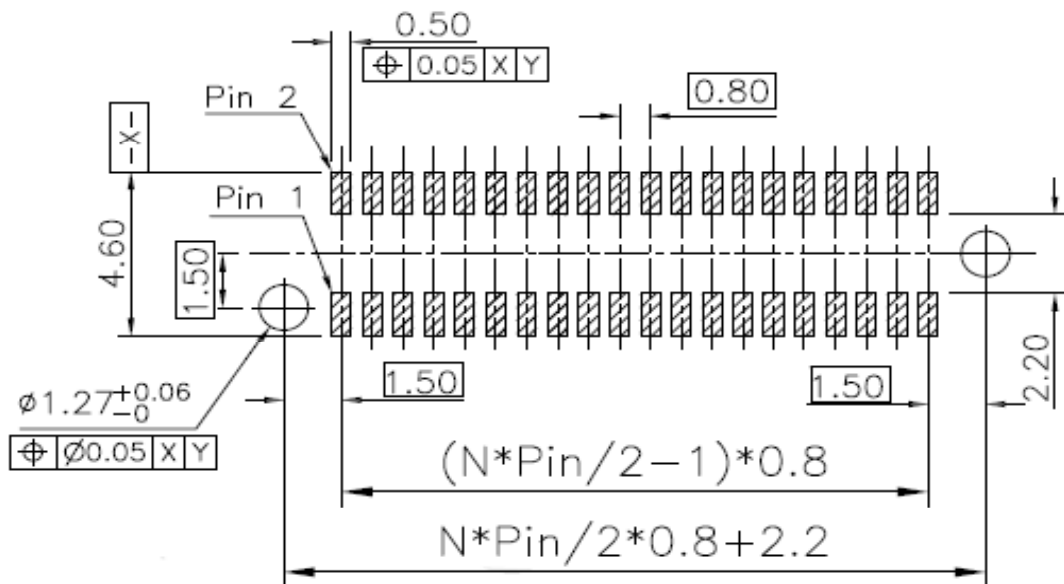
<b>0,8mm SMD SLOT Connector Straight</b>	
Part No.:	<b>T63011</b>
Customer:	

DRW:	Jason	CHKD	Wilson	MATL:	Wilson	TOLERANCE	Mason	DATE	30.10.2020
APPD:	Schumi			FINISH	Jamy		Sheet No.		3 from 13

# EDCON-COMPONENTS



## PCB-Layout (mm)



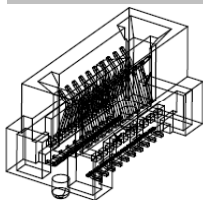
**0,8mm SMD SLOT  
Connector Straight**

Part No.: **T63011**

Customer:

DRW:	Jason	CHKD	Wilson	MATL:	Wilson	TOLERANCE	Mason	DATE	30.10.2020
APPD:	Schumi			FINISH	Jamy		Sheet No.	4 from 13	

# EDCON-COMPONENTS



## Ordering Informations

Serie	No of Pin	Plastic Colour	Isolator Material	Contact Plating	Special function	Special function	Special function	ROHS	Packing Code
-------	-----------	----------------	-------------------	-----------------	------------------	------------------	------------------	------	--------------

<b>T63011</b>	<b>060</b>	<b>B</b>	<b>A</b>	<b>G0</b>	<b>N</b>	<b>N</b>	<b>N</b>	<b>R</b>	<b>TU</b>
---------------	------------	----------	----------	-----------	----------	----------	----------	----------	-----------

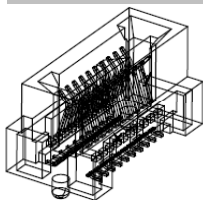
<b>020=</b> 20Pos.	<b>B=</b> Black	<b>A=</b> LCP	<b>G0=</b> Gold flash	<b>N=</b> No function	<b>N=</b> No function	<b>N=</b> No function	<b>R=</b> ROHS Conform	<b>TU=</b> TUBE Packing w/o. PIC and Place CAP
<b>040=</b> 40Pos.	<b>W=</b> White	<b>B=</b> PA6T	<b>G1=</b> 1µ Gold				<b>N=</b> NON ROHS Conform	
<b>060=</b> 60Pos.	<b>G=</b> Gray	<b>C=</b> PA9T	<b>G3=</b> 5µ Gold					<b>TR=</b> Tape Reel Packing w. Pic and Place Cap
			<b>G5=</b> 10µ Gold					
			<b>S0=</b> Selectiv Gold flash					
			<b>S1=</b> Selectiv 1µ Gold /Tin					
			<b>S3=</b> Selectiv 5µ Gold /Tin					
			<b>S5=</b> Selectiv 10µ Gold /Tin					<b>TY=</b> TRAY Packing w. PIC and Place CAP

**0,8mm SMD SLOT Connector Straight**

Part No.: **T63011**

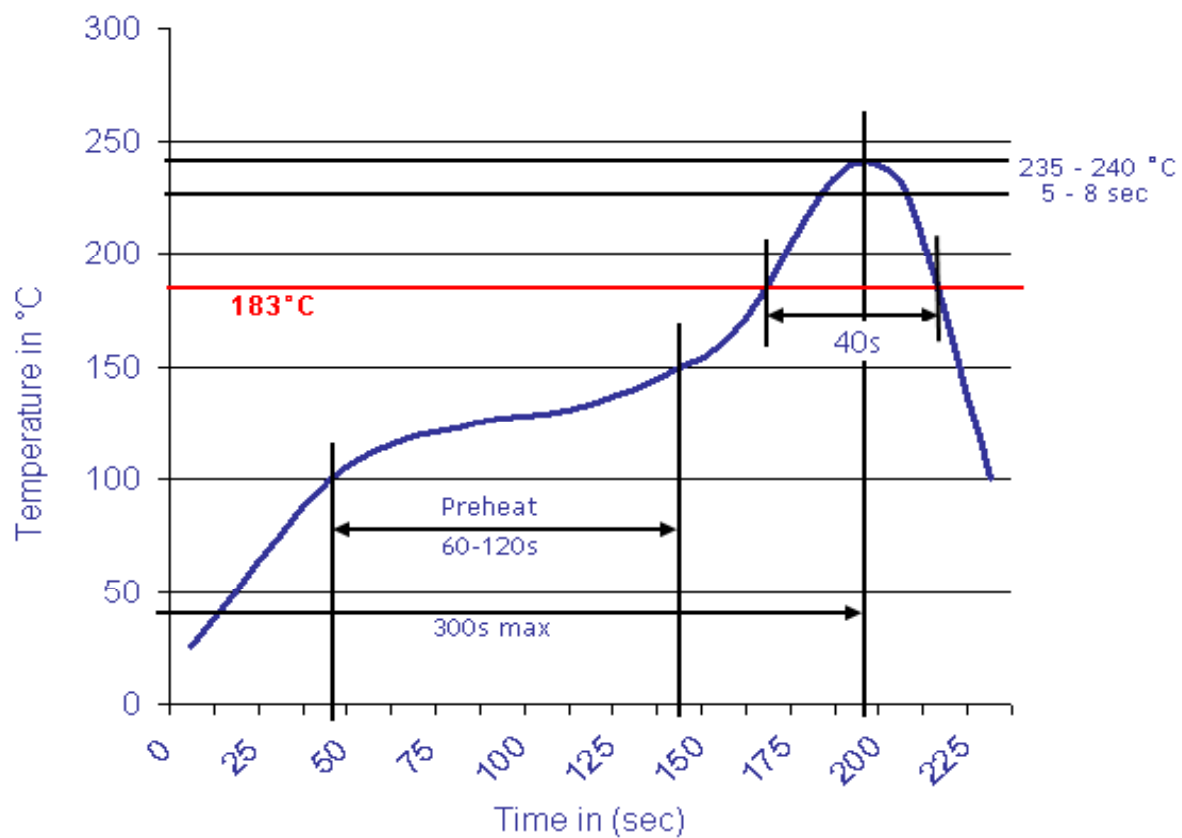
DRW:	Jason	CHKD	Wilson	MATL:	Wilson	TOLERANCE	Mason	DATE	30.10.2020
APPD:	Schumi			FINISH	Jamy		Sheet No.		12 from 13

Customer:



Soldering Profile Curve

Classification Reflow Profile (JEDEC J-STD-020C)



**0,8mm SMD SLOT  
Connector Straight**

Part No.: **T63011**

DRW:	Jason	CHKD	Wilson	MATL:	Wilson	TOLERANCE	Mason	DATE	30.10.2020
APPD:	Schumi			FINISH	Jamy		Sheet No.		13 from 13

Customer: