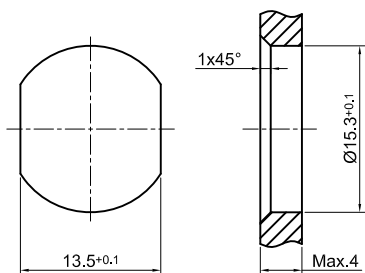
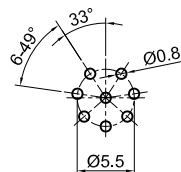


FRONT VIEW



PANEL CUT-OUT



P.C.B LAYOUT

Revisions			
Rev.	Description	ECN No.	Date

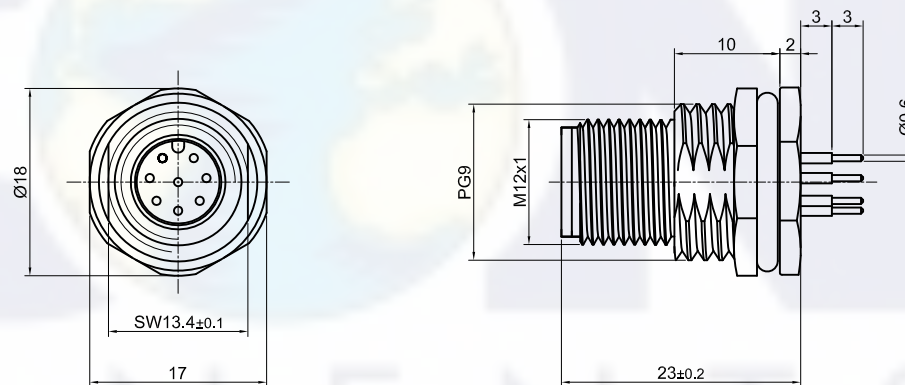
General Specifications

Connector locking system:	Screw
Termination:	Dip Solder
Temperature range:	-25°C ~ +85°C
Mating cycles:	> 100
Degree of protection:	IP67 when mated
Rated voltage:	30V AC/DC
Rated current:	1.5A
Rated impulse voltage:	1500V
Contact resistance:	≤5 mΩ
Insulation resistance:	≥100 MΩ

Materials:

Contact:	CuZn
Contact plating:	Gold plated
Housing:	PA66+GF
Base shell:	CuZn nickel plated
PG9 nut:	CuZn nickel plated
Sealing:	NBR
Adhesive:	Epoxy
Shield pipe:	CuZn nickel plated

All materials RoHS compliant



THIRD ANGLE	NAME		DATE	MATERIAL:	VOLUME:	MASS:
	DRAWN					
GENERAL TOLERANCE (UNLESS SPECIFIED)	CHECKED			TITLE		
	RELEASE			M12 A CODED 8P MALE REAR MOUNTING PCB, PG9		
< 1.5: ±0.05 1.5~10: ±0.1 >10: ±0.2	PART NO.			DWG NO.		
	T61E170			D-2232801		
	UNIT	REV.	SIZE	SHEET		
	MM	A	A4	1 OF 1		