



DATA SHEET

M12 Connector for Cable Mounting Snap-In Type

Serie: T61E129

M12 Connector for Cable Mounting Snap-In Type

Serie No.: **T61E129**

DRW:	Jason	CHKD	Wilson	MATL:	Wilson	TOLERANCE	Mason	DATE	28.09.2022	Customer:
APPD:	Schumi			FINISH	Jamy		Sheet No.	1 from 5		

EDCON-COMPONENTS



Contact



Technical Description

Sensor Connector	Size M12
Number of Position	3,4,5,8
Coding	Type A, B, D
Pin-Type:	Male
Orientation:	180°
Termination:	Wire
Rated current	3,4,5,Pos. = 4A / 8Pos. 2A
Rated Voltage	250V-AC
Insulation Resistance:	≥ 100MΩ
Contact Resistance:	≤ 5mΩ
Temperature Range:	.-25°C to + 90°C
Material Connector Contacts:	Brass
Contact Plating:	Gold Plated 3μ
Material Insert / Housing:	Nylon 66 + GF or PA
Coupling Nut / screw:	Brass with nickel plated
Shielding:	Non-Shielded
Protection Degree:	IP67in locked conditions
Overmould/ Shell:	Metal shell
Screw / Nut Material:	Brass C3604 w 120μ" nickel Plated CNC Parts
Material Female Contacts:	Phosphor Bronze C5441 w. 3μ gold plated on nickel base, machined sold pin
Flame retardant degree:	UL94V-0
Sealing:	O-ring (Rubber)
Norm:	IEC 61076-2-101
Mating Durance:	>500 cycles
Approval:	UR/US, CE

Description and Applications

EDCON offer a complete line of M12 panel mount connector solutions for enclosure, panel and PCB applications. These M12 connector are offered in both versions Male & Female and are rated to IP67. These connector are designed for both front mounting and rear mounting with PG9 panel locking thread.

Standard sensor, actuator, encoder, servo motors
 Factory automation and process control
 Fieldbus: DeviceNet, CANopen, Profibus, Ethernet, NMEA 2000
 Industrial instrumentation
 Packaging, labeling and logistic devices
 Industrial safety light curtain, light grid, switches
 Commercial electronics PCBA
 Power supply
 LED display panel & outdoor LED lighting

					Tolerances unless otherwise specified (mm)					M12 Connector for Cable Mounting Snap-In Type
					X=	X.X=	X.XX=	X.XXX=	Angle	
					±0,35	±0,25	±0,20	±0,15	±5°	Part No.: T61E129
DRW:	Jason	CHKD	Wilson	MATL:	Wilson	TOLERANCE	Mason	DATE	28.09.2022	Customer:
APPD:	Schumi			FINISH	Jamy		Sheet No.		2 from 5	

www.edcon-components.com

email: info@edcon-components.com

EDCON-COMPONENTS

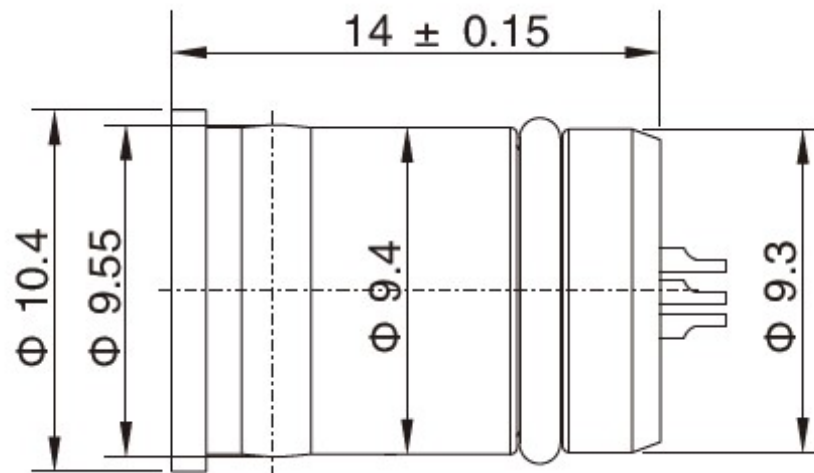
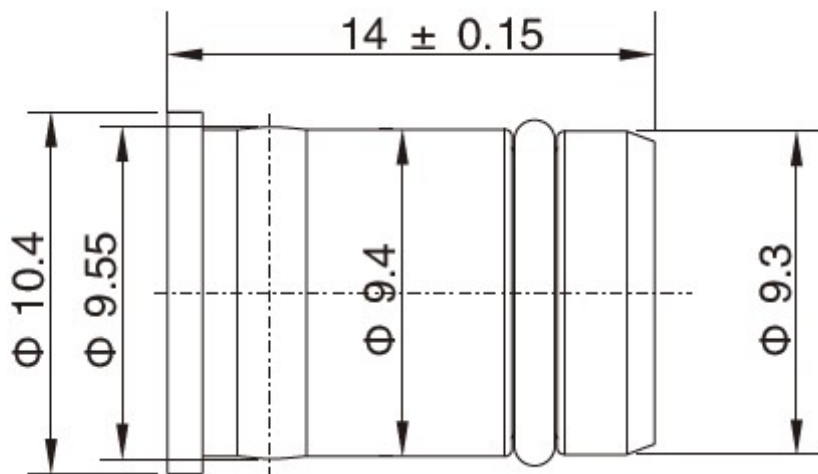


Contact



Locking Type Snap-In / Dimension for 3,4,5Pos.

Locking Type Snap-In / Dimension for 8Pos.



M12 Connector for Cable Mounting Snap-In Type

Part No.: **T61E129**

DRW:	Jason	CHKD	Wilson	MATL:	Wilson	TOLERANCE	Mason	DATE	28.09.2022	Customer:
APPD:	Schumi			FINISH	Jamy		Sheet No.	3 from 5		

www.edcon-components.com

email: info@edcon-components.com

Copyright by S.Tiede

EDCON-COMPONENTS



Contact



Electrical data & Mechanical data

Contacts	Available Coding			Contacts termination	Rated current	Voltage		Wire gauge / size	
	A	B	D			A/C	D/C	AWG	mm ²
03 pins				Solder version	4A	250V	250V	22AWG	0.34
04 pins				Solder version	4A	250V	250V	22AWG	0.34
05 pins				Solder version	4A	60V	60V	22AWG	0.34
08 pins				Solder version	2A	30V	30V	24AWG	0.25

M12 Connector for Cable Mounting Snap-In Type

Part No.: **T61E129**

DRW:	Jason	CHKD	Wilson	MATL:	Wilson	TOLERANCE	Mason	DATE	28.09.2022	Customer:
APPD:	Schumi			FINISH	Jamy		Sheet No.	4 from 6		

www.edcon-components.com

email: info@edcon-components.com

EDCON-COMPONENTS



Contact



Ordering Informations

Serie	No. of Pos.	Coding Type	Contact Plating	Insulator Colour	Special function	Special function	Special function	ROHS	Packing Code	
T61E129	xx	A	A0	BK	NN	NN	NN	R	BU	
	Number of Pos.look table	X= look Available Coding	A0= Brass Gold-Plated 3µ	BK= Black	NN= No special function	NN= No special function	NN= No special function	R= ROHS Conform N= NON ROHS Conform	BU= Bulk-Ware TY= Tray Package IV= Individual Package	

M12 Connector for Cable Mounting Snap-In Type	
Part No.:	T61E129
Customer:	

DRW:	Jason	CHKD	Wilson	MATL:	Wilson	TOLERANCE	Mason	DATE	28.09.2022
APPD:	Schumi		Original	FINISH	Jamy		Sheet No.	4 from 5	

www.edcon-components.com

email: info@edcon-components.com

