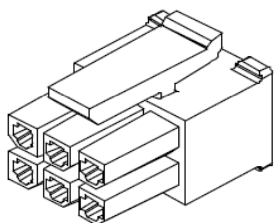


EDCON-COMPONENTS

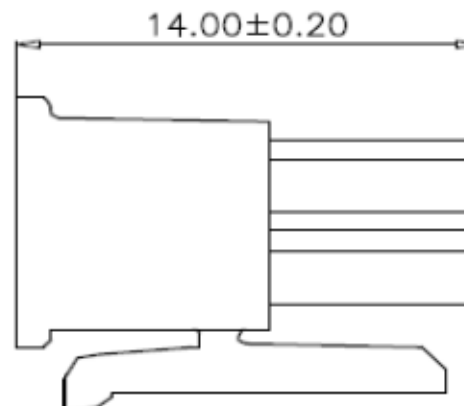
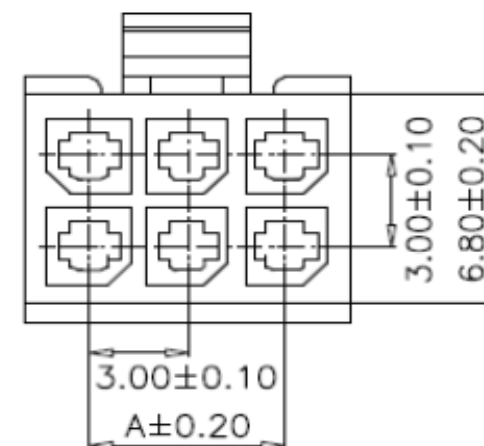


Technical Discription

Voltage Rating: 150 VAC / DC
Curent Rating: 5A AC/DC
Withstanding Voltage: 1500VAC/ minute
Insulation Resistance: 1000M Ω min
Temperature Range: - 25°C ~ + 85°C
Contact Resistance: 20m Ω max.

Housing Material: Nylon 66, UL94V-2

Drawing



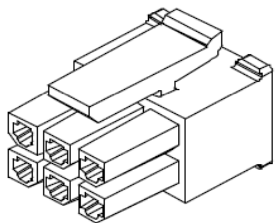
Mikro Fit Connector from EDCON

Part No.: **T48003**

Customer:

DRW:	Jason	CHKD	Wilson	MATL:	Wilson	TOLERANCE	Mason	DATE	20.08.2013
APPD:	Schumi			FINISH	Jamy		Sheet No.	1 from 3	

EDCON-COMPONENTS



Dimensions

Number of Positions

Pos.	A	B
2x01	---	3,85
2x02	3,00	6,85
2x03	6,00	9,85
2x04	9,00	12,85
2x05	12,00	15,85
2x06	15,00	18,85
2x07	18,00	21,85
2x08	21,00	24,85
2x09	24,00	27,85
2x10	27,00	30,85
2x11	30,00	33,85
2x12	33,00	36,85

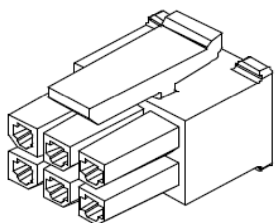
**Mikro Fit Connector from
EDCON**

Part No.: **T48003**

Customer:

DRW:	Jason	CHKD	Wilson	MATL:	Wilson	TOLERANCE	Mason	DATE	20.08.2013
APPD:	Schumi			FINISH	Jamy		Sheet No.	2 from 3	

EDCON-COMPONENTS



Ordering Informations

Serie	No. Of Position	Special function	Color of Body	ROHS	Packing					
-------	-----------------	------------------	---------------	------	---------	--	--	--	--	--

T48003	XX	N	BK	R	BU					
---------------	-----------	----------	-----------	----------	-----------	--	--	--	--	--

XX = xxPos. look table	N = No function	BK = Black	R = ROHS Conform	BU = Bulk- Ware
				IV = Individual Packing

**Mikro Fit Connector from
EDCON**

Part No.: **T48003**

Customer:

DRW:	Jason	CHKD	Wilson	MATL:	Wilson	TOLERANCE	Mason	DATE	20.08.2013
APPD:	Schumi			FINISH	Jamy		Sheet No.		3 from 3