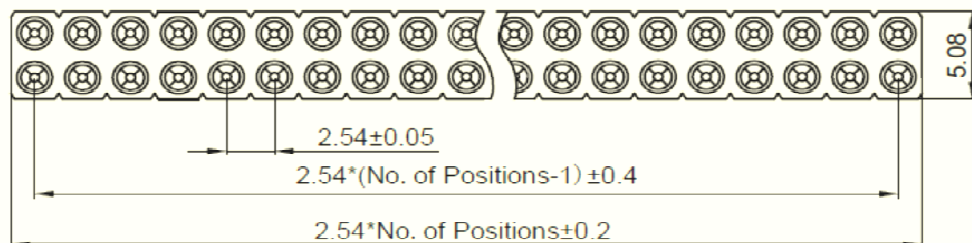
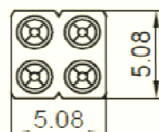
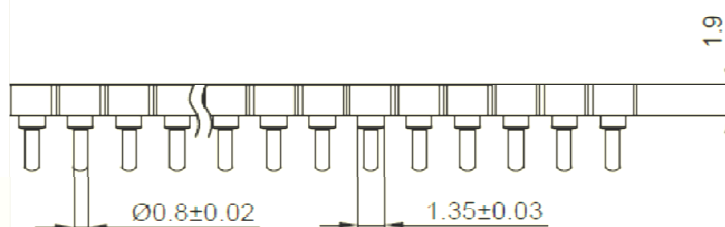
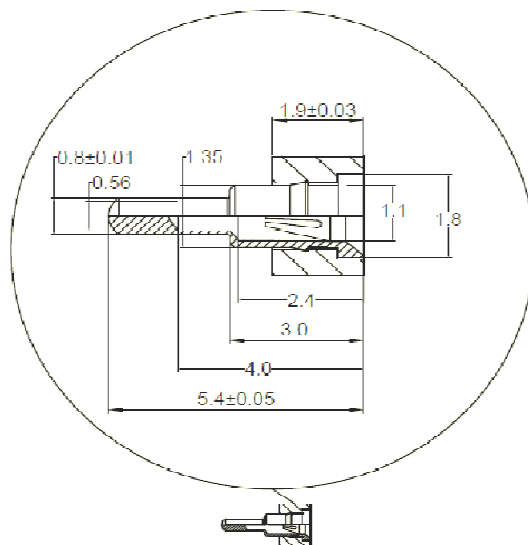


**Technical Specification**

Insulator:	Black glass filled polyester PPS-GF-30-FR
Flammability:	UL 94V-0
Sleeve:	Brass CuZn 36Pb3 (36000)
Contact Clip (6finger):	Beryllium Copper (C17200)
Operating Temperature Range:	-55°C to + 105°C
Forces:	
.-Insertion:	1,2N typ.
.-Withdrawel:	0,6N typ.
Mechanical Life:	min 500 cycles
Rated Current:	3A
Contact Resistance:	max. 10m Ohm
Dielectric Strength:	min 1000V rms
Mating with pin:	Ø 0,43mm
Minimal position of deliver:	4
Maximal position of deliver:	80

**Technical Drawing**



**Ordering Information**

Serie	No. of Pos.	Solder Pin Plating	Inner Clip Plating	ROHS	Packing	
-------	-------------	--------------------	--------------------	------	---------	--

<b>T40263</b>	<b>04</b>	<b>A</b>	<b>3</b>	<b>R</b>	<b>B1</b>	
---------------	-----------	----------	----------	----------	-----------	--

<b>04 ~80</b>	<b>A=</b> Tin 150µ" (Standard)	<b>1=</b> Tin 150µ" <b>2=</b> Tin 200µ"	<b>R=</b> ROHS conform	<b>B1=</b> Bulk 100PCS
	<b>B=</b> Tin 200µ"	<b>3=</b> GF (Standard)		
	<b>C=</b> GF	<b>4=</b> Gold 2µ"		
	<b>D=</b> Gold 2µ"	<b>5=</b> Gold 3µ"		
	<b>E=</b> Gold 3µ"	<b>6=</b> Gold 10µ"		
	<b>F=</b> Gold 10µ"	<b>7=</b> Gold 15µ"		
	<b>G=</b> Gold 15µ"	<b>8=</b> Special		
	<b>H=</b> Special			

**Machined Contact Pitch  
2,54mm**

Part No.: **T40263**

Customer:

DRW:	Jason	CHKD	Jules	MATL:	Wu	DATE	07.01.2022
APPD:	Join			FINISH	Shieh	Sheet	1 from 1