

# EDCON-COMPONENTS



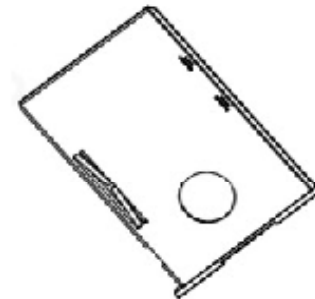
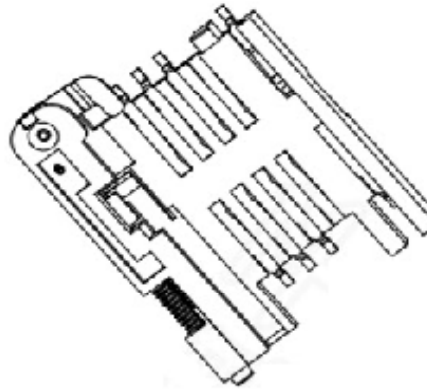
## Specifications

Operating Temperature:    -20°C ~ +80°C

Material Housing:           HIGH- TEMPERATURE PLASTIC  
                                  UL94V-0 Black

Mechanical Characteristics:   Lifetime: 5000cycles

## Drawing ( dimensions all into mm)



## PCB Layout (mm)

							<b>SIM-CARD Holder for Serie T39008</b>		
			Tolerance	x	x.x	x.xx	x.xxx	x.xxxx	Angle
				± 0,50	± 0,30	± 0,20	± 0,15	± 0	± 3°
DRW:	Jason	CHKD	Wilson	MATL:	Wilson	TOLERANCE	Mason	DATE	12.02.2021
APPD:	Schumi			FINISH	Jamy		Sheet No.		1 from 4
								Part No.:	<b>T39009</b>
								Customer:	

# EDCON-COMPONENTS



## Ordering Informations

Serie	Contact Plating	Body Colour	special Function	special Function	special Function	ROHS	Packing			
<b>T39009</b>	<b>00</b>	<b>BK</b>	<b>N</b>	<b>N</b>	<b>N</b>	<b>R</b>	<b>BU</b>			
	<b>BK= Black</b>	<b>N= No Function</b>	<b>N= No Function</b>	<b>N= No Function</b>	<b>R= ROHS Conform</b>	<b>BU= Bulk-Ware</b>				
					<b>N= NON ROHS Conform</b>					

<b>SIM-CARD Holder for Serie T39008</b>	
Part No.:	<b>T39009</b>
Customer:	

DRW:	Jason	CHKD	Wilson	MATL:	Wilson	TOLERANCE	Mason	DATE	12.02.2021
APPD:	Schumi			FINISH	Jamy		Sheet No.		3 from 4