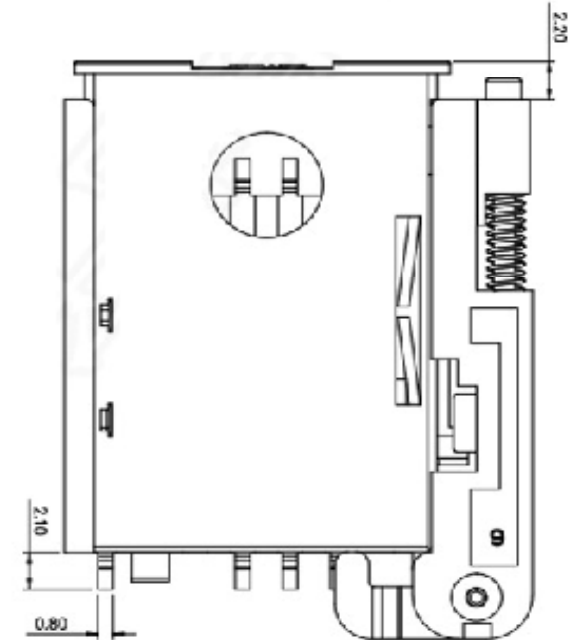
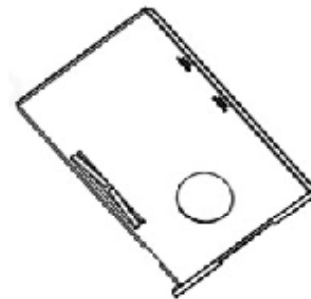
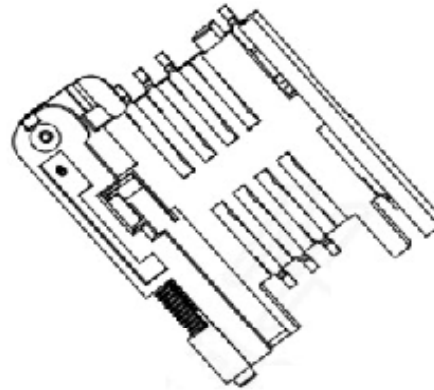




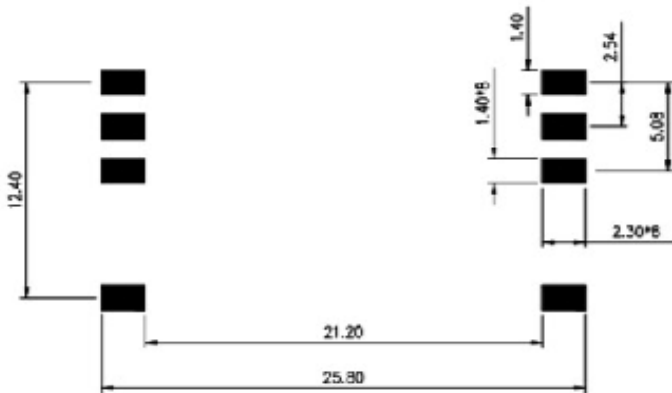
Specifications

Voltage Rating:	5,0V AC(rms)/DC
Current Rating:	2,0A
Operating Temperature:	.-20°C ~ +80°C
Contact Resistance:	50mΩ max.
Withstanding Voltage:	500V AC/1Minute
Insulation Resistance:	100MΩ min.
Material Housing:	HIGH- TEMPERATURE PLASTIC UL94V-0 Black
Contact Material:	Phosphor Bronze
Contact Plating:	Gold Plated over Nickel
Shell:	Stainless Steel
Mechanical Characteristics:	Lifetime: 5000cycles
Contact normal forces:	80gf. Min
Mating / Unmating forces:	10N (1,02kgf) max.

Drawing (dimensions all into mm)



PCB Layout (mm)



SIM-CARD Serie 6+2P with Ejector

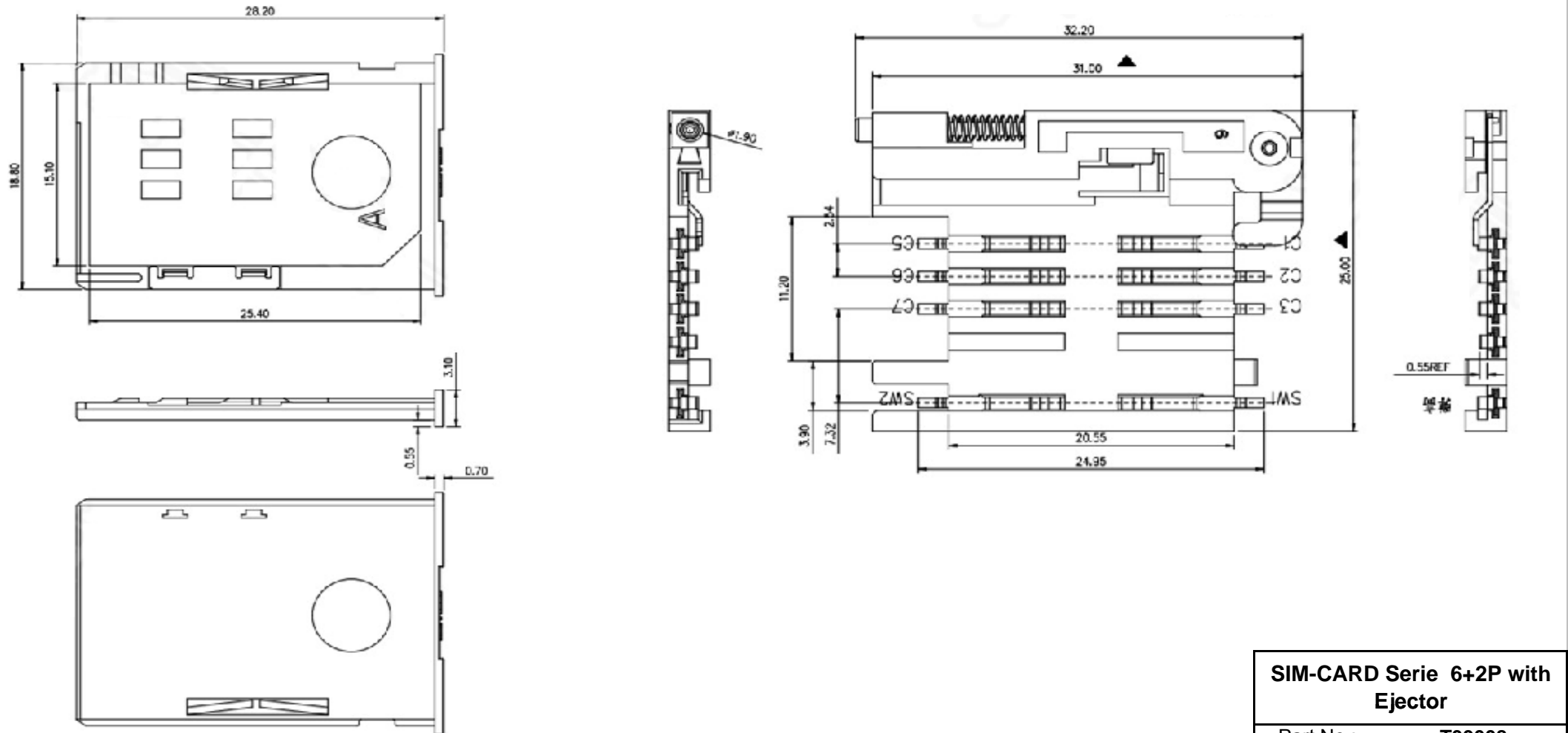
Part No.: **T39008**

Customer:

DRW:	Jason	CHKD	Wilson	Tolerance	x	x.x	x.xx	x.xxx	x.xxxx	Angle
APPD:	Schumi				± 0,50	± 0,30	± 0,20	± 0,15	± 0	± 3°
				MATL:	Wilson	TOLERANCE	Mason	DATE	12.02.2021	
				FINISH	Jamy		Sheet No.	1 from 4		



Dimension Information about Housing



SIM-CARD Serie 6+2P with Ejector	
Part No.:	T39008
Customer:	

DRW:	Jason	CHKD	Wilson	MATL:	Wilson	TOLERANCE	Mason	DATE	12.02.2021
APPD:	Schumi			FINISH	Jamy		Sheet No.		2 from 4

EDCON-COMPONENTS



Ordering Informations

Serie	Contact Plating	Body Colour	special Function	special Function	special Function	ROHS	Packing			
T39008	GB	BK	N	N	N	R	TY			
	BK= Black	N= No Function	N= No Function	N= No Function	R= ROHS Conform	TY= TRAY Packing				
					N= NON ROHS Conform	TR= TAPE REEL Packing				
	GB= Gold Flash 5µ					IV= Individual Packing				

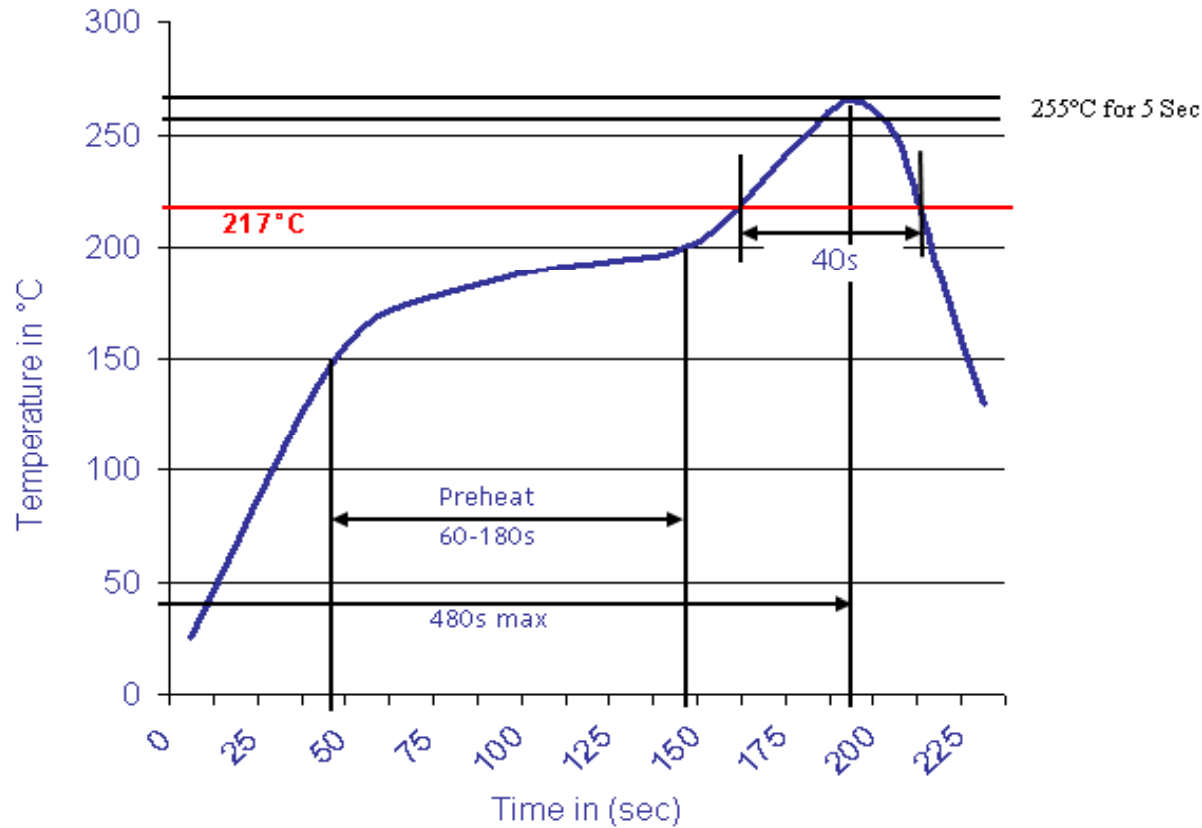
SIM-CARD Serie 6+2P with Ejector	
Part No.:	T39008
Customer:	

DRW:	Jason	CHKD	Wilson	MATL:	Wilson	TOLERANCE	Mason	DATE	12.02.2021
APPD:	Schumi			FINISH	Jamy		Sheet No.		3 from 4



Soldering Informations

Classification Reflow Profile (JEDEC J-STD-020C)



SIM-CARD Serie 6+2P with Ejector	
Part No.:	T39008
Customer:	

DRW:	Jason	CHKD	Wilson	MATL:	Wilson	TOLERANCE	Mason	DATE	12.02.2021
APPD:	Schumi			FINISH	Jamy		Sheet No.	4 from 4	

