

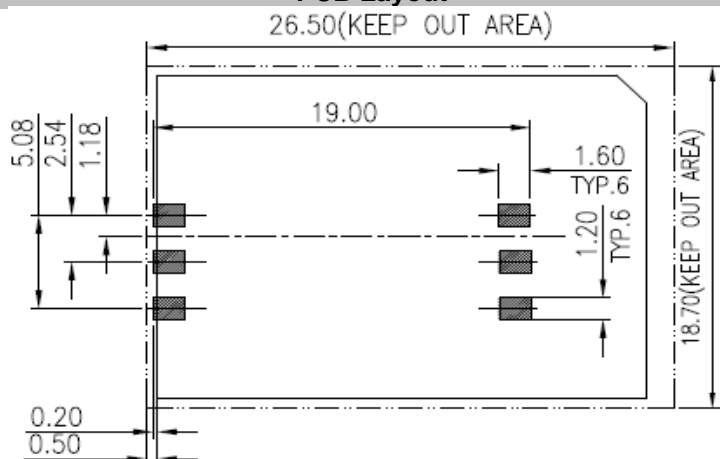
EDCON-COMPONENTS



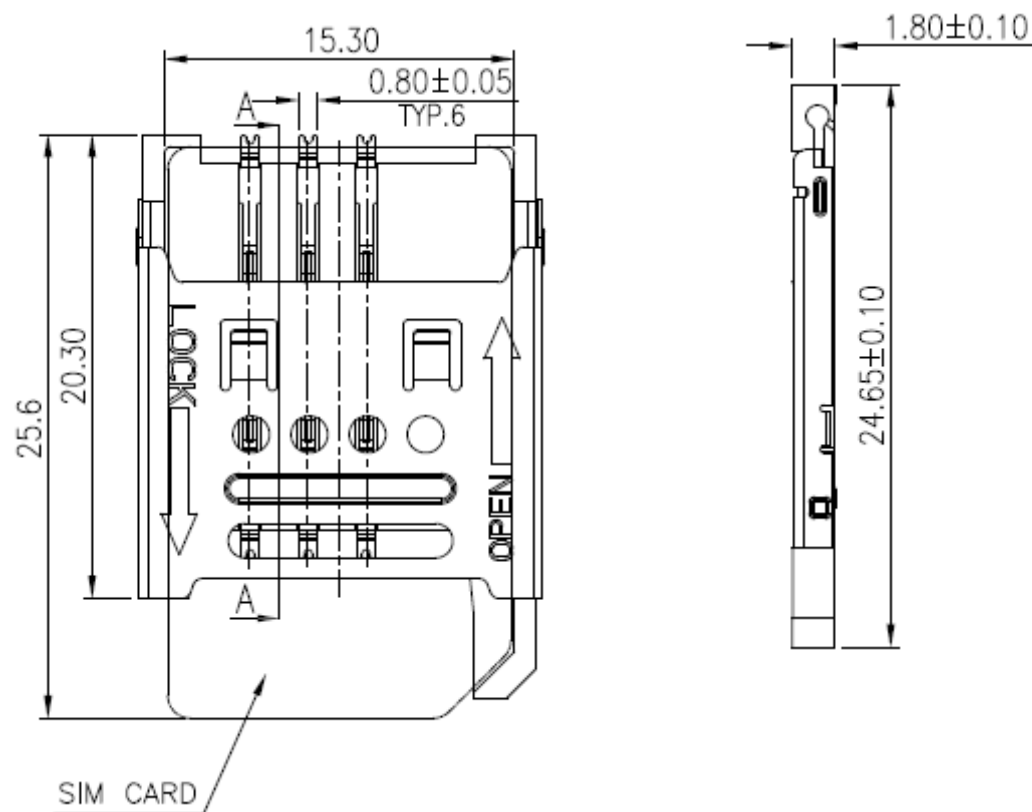
Specifications

Voltage Rating:	50V AC(rms)/DC
Current Rating:	0,5A
Operating Temperature:	.-20°C ~ +80°C
Contact Resistance:	50mΩ max.
Withstanding Voltage:	500V AC/1Minute
Insulation Resistance:	100MΩ min.
Material Housing:	HIGH- TEMPERATURE PLASTIC UL94V-0 Black
Contact Material:	Phosphor Bronze
Contact Plating:	Gold Plated over Nickel
Shell:	Stainless Steel
Mechanical Characteristics:	Lifetime: 5000cycles
Contact normal forces:	80gf. Min
Mating / Unmating forces:	10N (1,02kgf) max.

PCB Layout



Drawing (dimensions all into mm)



**SIM-CARD Serie 6P
H=1,8mm w. Look**

Part No.: **T39002**

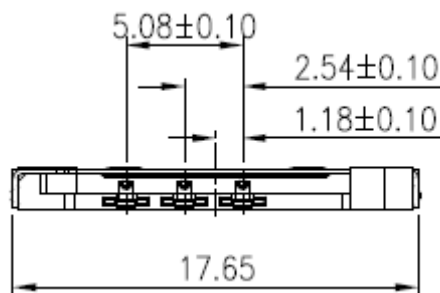
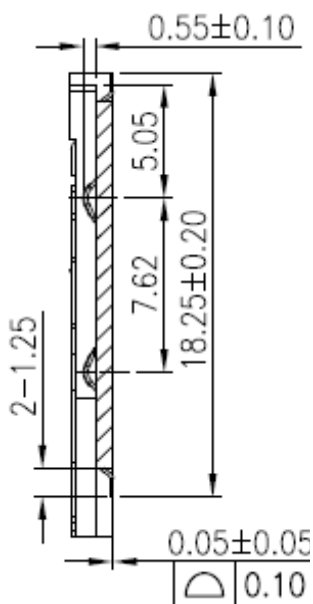
Customer:

DRW:	Jason	CHKD	Wilson	Tolerance			Mason	DATE	Angle
				x	x.x	x.xx			
APPD:	Schumi			± 0,50	± 0,30	± 0,20		11.02.2018	± 3°
				MATL:	Wilson	TOLERANCE			
				FINISH	Jamy		Sheet No.	1 from 4	

EDCON-COMPONENTS



Dimension Information about Housing



**SIM-CARD Serie 6P
H=1,8mm w. Look**

Part No.: **T39002**

DRW:	Jason	CHKD	Wilson	MATL:	Wilson	TOLERANCE	Mason	DATE	11.02.2018
APPD:	Schumi			FINISH	Jamy		Sheet No.	2 from 4	Customer:

EDCON-COMPONENTS



Ordering Informations

Serie	Contact Plating	Body Colour	special Function	special Function	special Function	ROHS	Packing			
-------	-----------------	-------------	------------------	------------------	------------------	------	---------	--	--	--

T39002	GF	BK	N	N	N	Y	TY			
--------	----	----	---	---	---	---	----	--	--	--

GF= Gold Flash 1μ	BK= Black	N= No Function	N= No Function	N= No Function	Y= ROHS Conform	TY= TRAY Packing			
GA= Gold Flash 3μ					N= NON ROHS Conform	TR= TAPE REEL Packing			
GB= Gold Flash 5μ						IV= Individual Packing			
GC= Gold Flash 10μ									
GD= Gold Flash 15μ									
GE= Gold Flash 20μ									

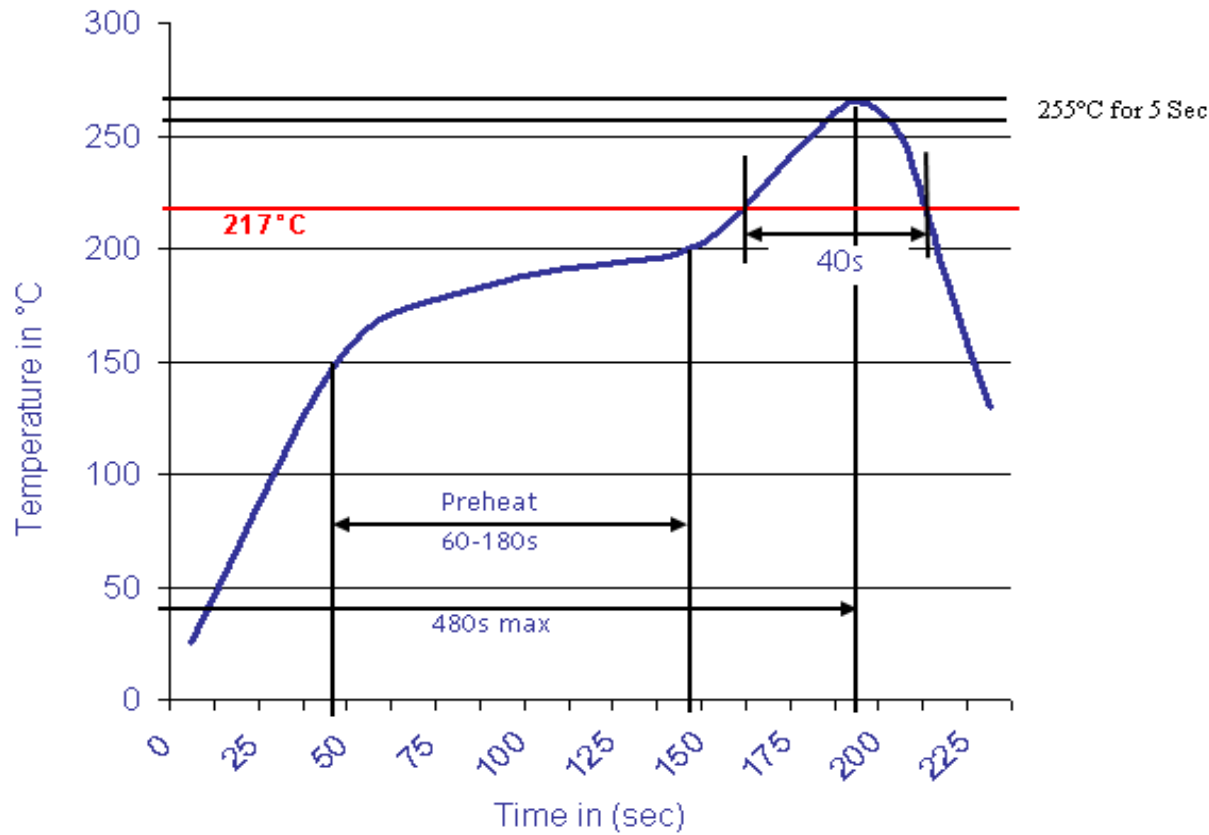
SIM-CARD Serie 6P H=1,8mm w. Look	
Part No.:	T39002
Customer:	

DRW:	Jason	CHKD	Wilson	MATL:	Wilson	TOLERANCE	Mason	DATE	11.02.2018
APPD:	Schumi			FINISH	Jamy		Sheet No.		3 from 4



Soldering Informations

Classification Reflow Profile (JEDEC J-STD-020C)



**SIM-CARD Serie 6P
H=1,8mm w. Look**

Part No.: **T39002**

DRW:	Jason	CHKD	Wilson	MATL:	Wilson	TOLERANCE	Mason	DATE	11.02.2018
APPD:	Schumi			FINISH	Jamy		Sheet No.		4 from 4

Customer:

