

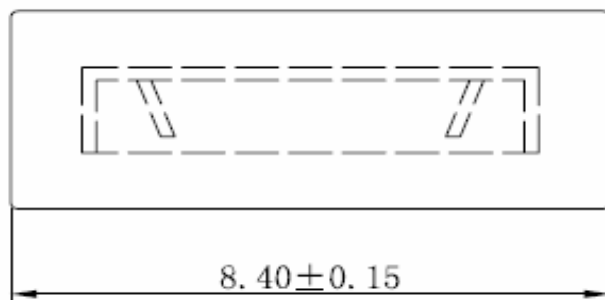
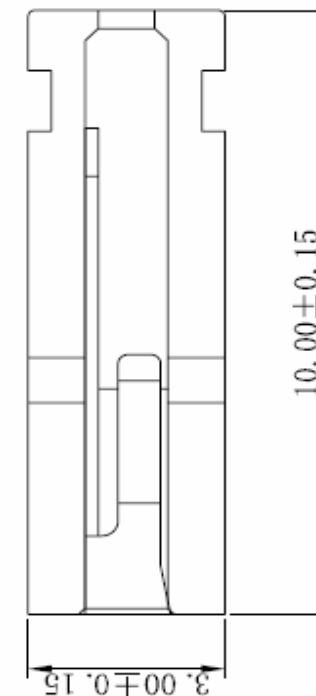
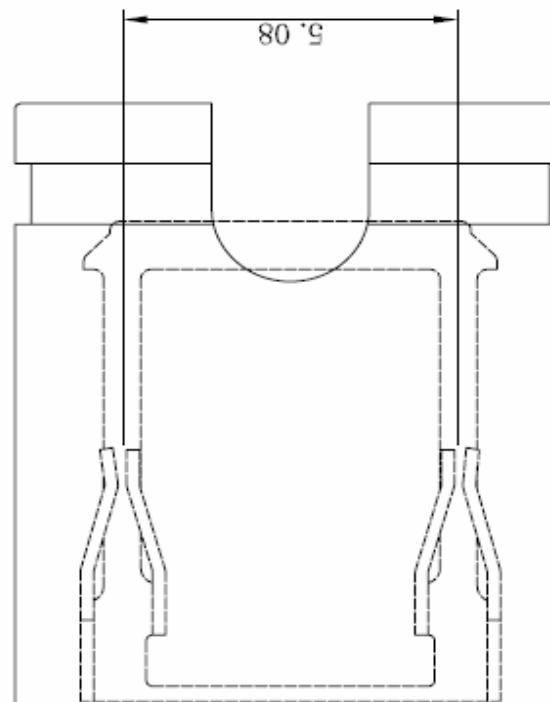
# EDCON-COMPONENTS



## Specifications

Current Rating:	3,0A
Insulation Resistance:	1000M Ohm min.
Contact Resistance:	20milli Ohm max.
Dielectric Voltage:	1000V AC for one minute
Operating Temperature:	. -55°C ~ to +105°C
Insulator Material:	Polyester.(UL94V-0)
Contact Pin:	Phosphor Bronze
Contact Plating:	Gold or Sn over 50µ Ni.

## Drawing



**Jumper Pitch 5,08mm**

Part No.: **T37D002**

DRW:	Jason	CHKD	Wilson	MATL:	Wilson	TOLERANCE	Mason	DATE	01.04.2013
APPD:	Schumi			FINISH	Jamy		Sheet No.	1 from 2	Customer:

# EDCON-COMPONENTS



## Ordering Informations

Serie	No. of Pos.	Contact Plating	Material	Color of Body	ROHS	Packing				
T37D002	02	S0	PB	BK	R	BU				

<b>G0</b> = Gold Flash	<b>PB</b> = PBT +30% GF	<b>BK</b> = Black	<b>N</b> =NO ROHS conform	<b>BU</b> = Bulk Ware
<b>T0</b> = Tin plated		<b>RD</b> = Red	<b>R</b> =ROHS conform	
<b>GA</b> = 3µ Gold Plating				
<b>GB</b> = 5µ Gold Plating				
<b>GC</b> = 10µ Gold Plating				
<b>GD</b> = 30µ Gold Plating				
<b>S0</b> = Selectiv Plating Gold Flash / Tin				
<b>SD</b> = Selectiv Tin/ 5µGold				
<b>SD</b> = Selectiv Tin/ 10µ Gold Flash				
<b>SD</b> = Selectiv Tin/ 20µ Gold	<b>SD</b> = Selectiv Tin/ 30µ Gold			

**Jumper Pitch 5,08mm**

Part No.: **T37D002**

DRW:	Jason	CHKD	Wilson	MATL:	Wilson	TOLERANCE	Mason	DATE	01.04.2013	Customer:
APPD:	Schumi			FINISH	Jamy		Sheet No.	2 from 2		