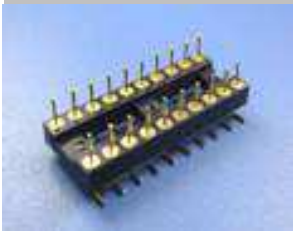


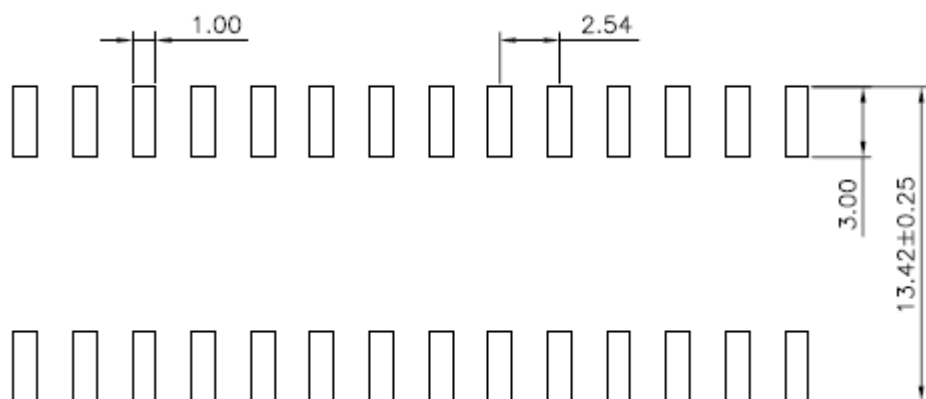
EDCON-COMPONENTS



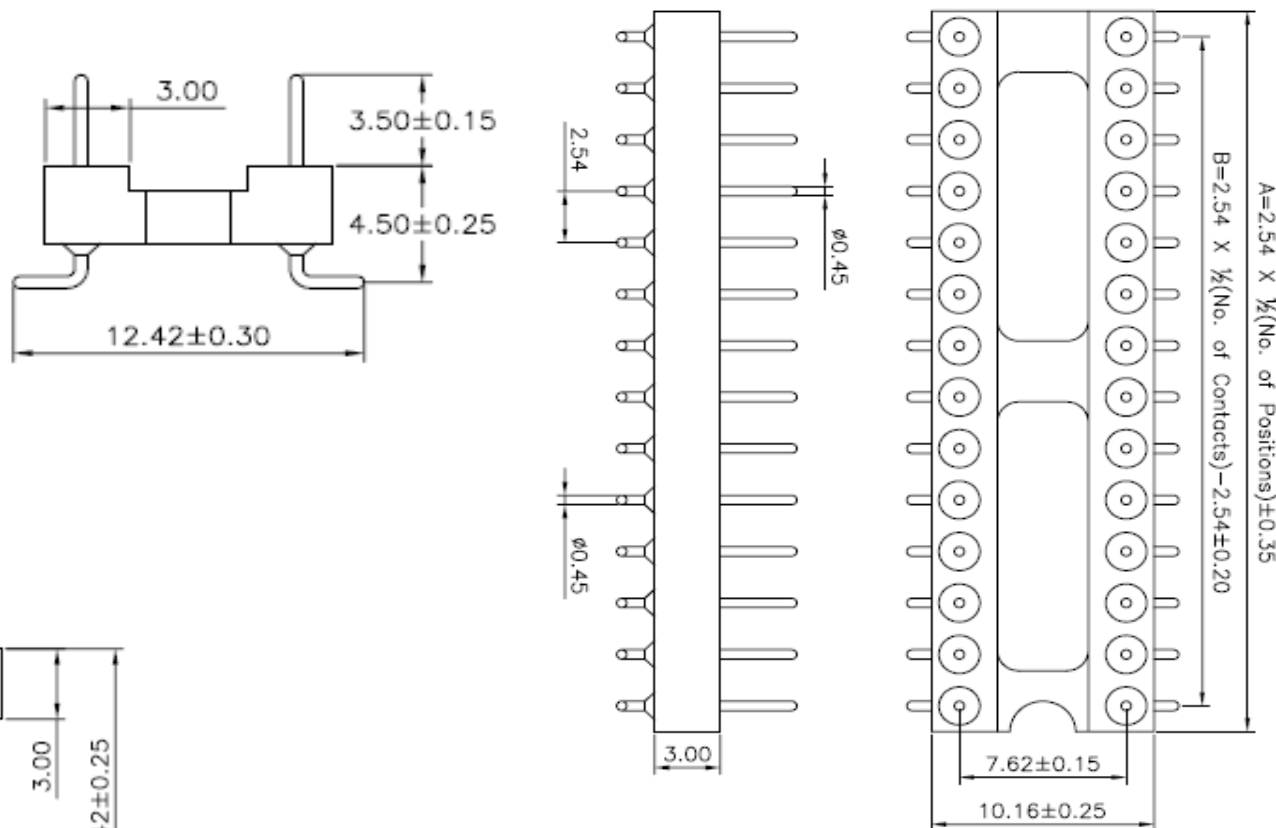
Specifications

Current Rating:	3 Ampere
Insulator Resistance:	1000 Megaohm min. V=100V
Contact Resistance	< 4m Ohm max.
Operating Temperature:	Gold Plated -55°C to +105°C
Operating Temperature:	Tin Plated -40°C to +105°C
Contact Material:	Brass machined Contact
Insulator Material:	PPS, UL 94V-0
Operating Voltage:	60 VAC/DC
Contact Plating:	Tin, Gold or Selective Plated
Standard:	Gold Flash Overall

P.C.B Layout



Drawing

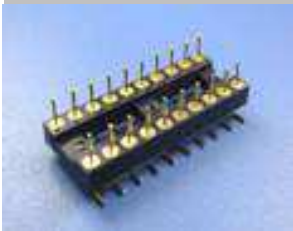


SMT IC-Socket Male Type

Part No.: **T34028-**

Customer:

DRW:	Jason	CHKD	Wilson	MATL:	Wilson	TOLERANCE	Mason	DATE	12.09.2013
APPD:	Schumi			FINISH	Jamy		Sheet No.	1 from 2	



Pin Code length table free configuration

No of Position (Table 1)

Order Code	Dimension (mm)			
	Width	Width		
306	7,62			
308	7,62			
310	7,62			
314	7,62			
316	7,62			
318	7,62			
320	7,62			
324	7,62			
328	7,62			
624		15,24		
628		15,24		
632		15,24		
640		15,24		
648		15,24		

Pin Code length (Table 2)

Order Code	Dimension		
	mm		
A01	3,50		
A02			
A03			
A04			
A05			
A06			
A07			
A08			
A09			
A10			
A11			
A12			
A13			
A14			
A15			
A16			
A17			
A18			
A19			
A20			
A21			
A22			

Pin Code Diameter (Table 3)

Order Code	Dimension		
	mm		
B01	0,46		
B02	0,50		
B03	0,64		
B04			
B05			
B06			
B07			
B08			
B09			
B10			
B11			
B12			
B13			
B14			
B15			
B16			
B17			
B18			
B19			
B20			
B21			
B22			

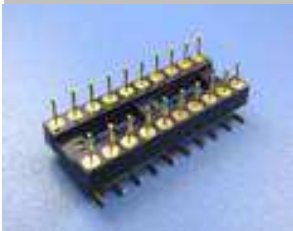
SMT IC-Socket Male Type

Part No.: **T34028-**

Customer:

DRW:	Jason	CHKD	Wilson	MATL:	Wilson	TOLERANCE	Mason	DATE	12.09.2013
APPD:	Schumi			FINISH	Jamy		Sheet No.		2 from 2

EDCON-COMPONENTS



Ordering Informations

Serie	No. of Pos. (table 1)	Contact Plating 1	Contact Plating 2	Isolator Material	Pin lenght (table 2)	Pin Diam. (table 3)	ROHS	Packing		
T34028-	306	G0	G0	PP	A01	B01	R	TU		

306= look table 1	G0= Gold Flash	G0= Gold Flash	PP= PPS	A01= look table 2	B01= look table 3	N= NO ROHS conform	BU= Bulk
	T0= Tin plated	T0= Tin plated					TU= Tube
	GA= 10µ Gold Plating	GA= 10µ Gold Plating				R= ROHS conform	TY= Tray Packing
	GB= 15µ Gold Plating	GB= 15µ Gold Plating					
	GC= 20µ Gold Plating	GC= 20µ Gold Plating					
	S0= Selectiv Plating Gold Flash / Tin	S0= Selectiv Plating Gold Flash / Tin					

SMT IC-Socket Male Type

Part No.: **T34028-**

Customer:

DRW:	Jason	CHKD	Wilson	MATL:	Wilson	TOLERANCE	Mason	DATE	12.09.2013
APPD:	Schumi			FINISH	Jamy		Sheet No.		2 from 2