



DATA SHEET

Power DC-Connector

Serie: T19B097

Power DC-Connector

Serie No.: **T19B097**

Customer:

DRW:	Jason	CHKD	Wilson	MATL:	Wilson	TOLERANCE	Mason	DATE	01.10.2020
APPD:	Schumi			FINISH	Jamy		Sheet No.	1 from 5	

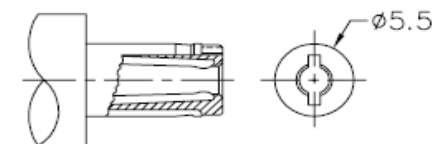
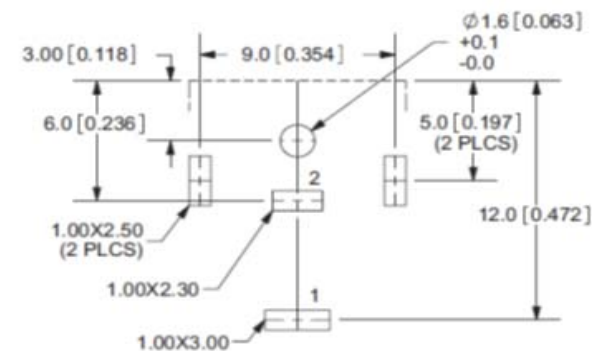
EDCON-COMPONENTS



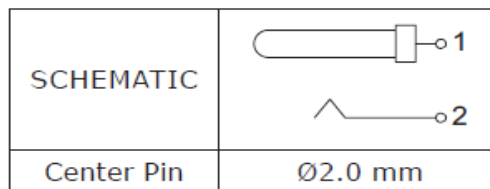
Technical Informations

Operating Temperature:	. -25°C ~ + 85°C
max. Voltage Load (V):	DC 24V
max. Rated Load (A):	DC 8A
Contact Resistance:	< 0,03 Ohm
Insulation Resistance:	> 100 M Ohm
Withstanding Voltage:	AC 500V (50Hz) 1min.
Actuating Force:	0,3~3,0KG
Lifetime:	5000 cycles
Pin Dimension:	2,0mm / 2,5mm
Operating Temperature Range:	.-25°C to +85°C
Flammability Rating:	UL94V-0
Material Contact:	Brass or copper alloy
Soldering Type:	THT
Orientation:	Right angle
Center Pin:	Copper Nickel Plated
Terminal 1:	Brass Silver Plated
Terminal 2:	Copper Alloy Silver plated
Spring:	Copper Alloy Silver plated
Shield:	Brass Nickel Plated
Body:	PBT

PCB Layout



MATING PLUG
Jack Insertion Depth: 8.85 mm



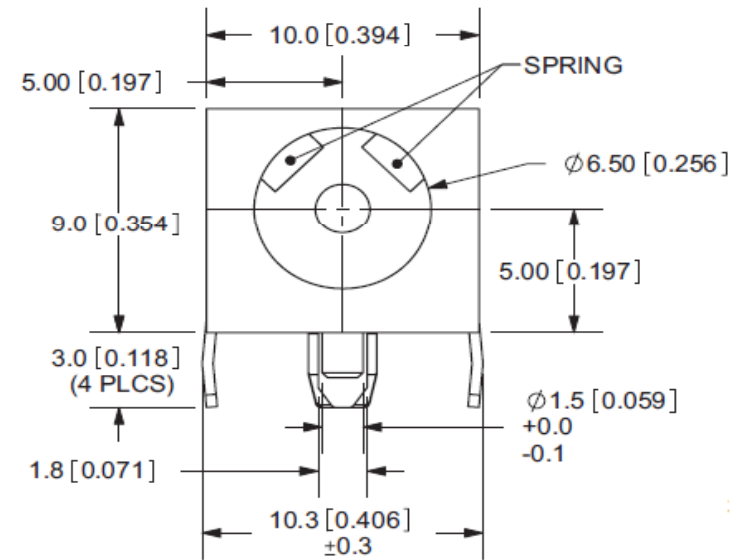
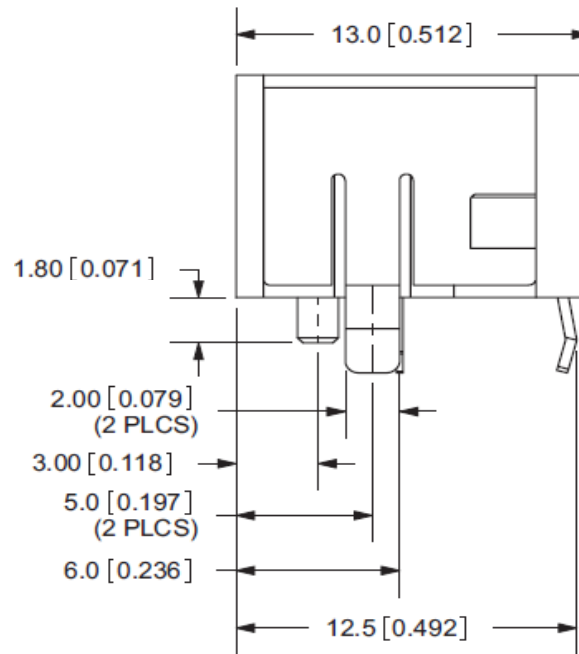
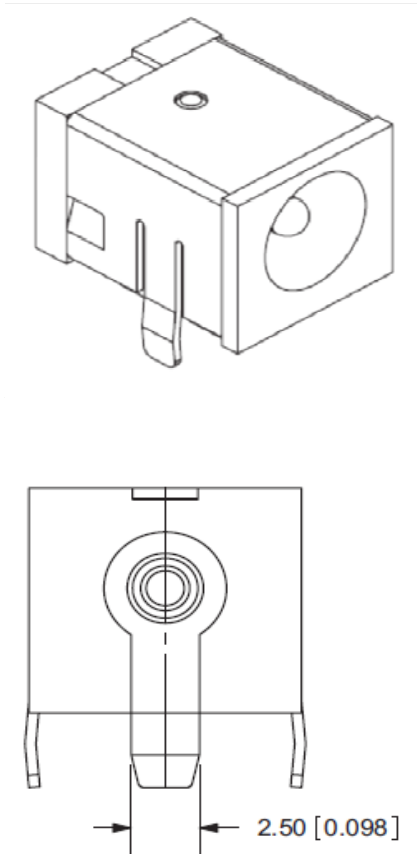
Power DC-Connector	
Part No.:	T19B097
Customer:	

Tolerance:	Units:mm	X.X ±0,2mm	X.XX ±0,1mm	X.XXX ±0,05mm						
DRW:	Jason	CHKD	Wilson	MATL:	Wilson	TOLERANCE	Mason	DATE	01.10.2020	
APPD:	Schumi			FINISH	Jamy		Sheet No.		2 from 5	

EDCON-COMPONENTS



Technical Description



Power DC-Connector

Part No.: **T19B097**

Customer:

DRW:	Jason	CHKD	Wilson	MATL:	Wilson	TOLERANCE	Mason	DATE	01.10.2020
APPD:	Schumi			FINISH	Jamy		Sheet No.		3 from 5

www.edcon-components.com

email: info@edcon-components.com



Ordering Informations

Serie	Pin Diameter	Contact Material	Contact Plating	Special function	ROHS	Packing Code				
-------	--------------	------------------	-----------------	------------------	------	--------------	--	--	--	--

T19B097	-	A	CO	TN	N	R	BU			
----------------	---	----------	-----------	-----------	----------	----------	-----------	--	--	--

A= 2,0mm	CO= Copper	TN= Tinned	N= No function	R= ROHS Conform	BU= Bulk Ware
				N= NON ROHS Conform	

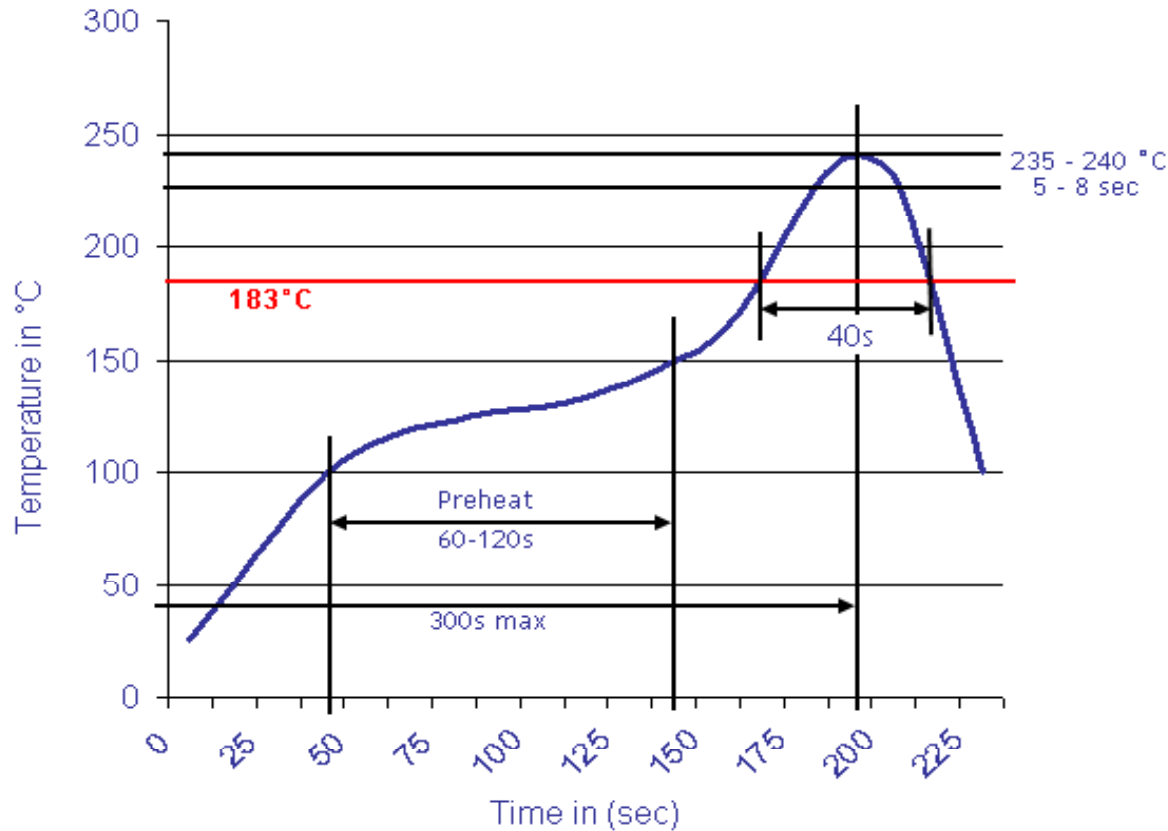
Power DC-Connector	
Part No.:	T19B097
Customer:	

DRW:	Jason	CHKD	Wilson	MATL:	Wilson	TOLERANCE	Mason	DATE	01.10.2020
APPD:	Schumi			FINISH	Jamy			Sheet No.	4 from 5



Soldering Profile Curve

Classification Reflow Profile (JEDEC J-STD-020C)



Power DC-Connector

Part No.: **T19B097**

Customer:

DRW:	Jason	CHKD	Wilson	MATL:	Wilson	TOLERANCE	Mason	DATE	01.10.2020
APPD:	Schumi			FINISH	Jamy		Sheet No.	5 from 5	